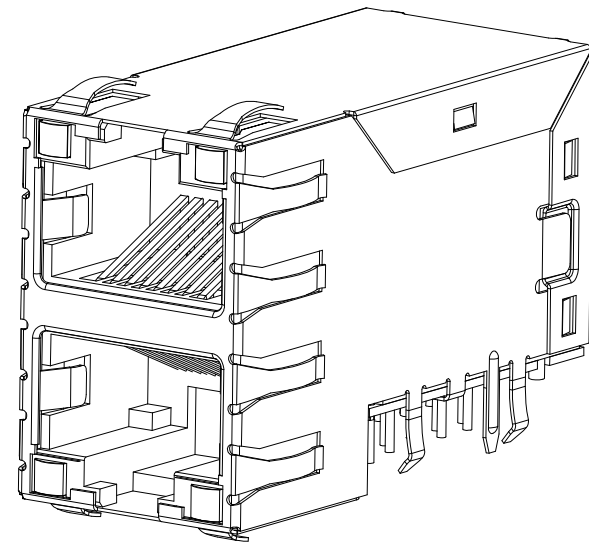


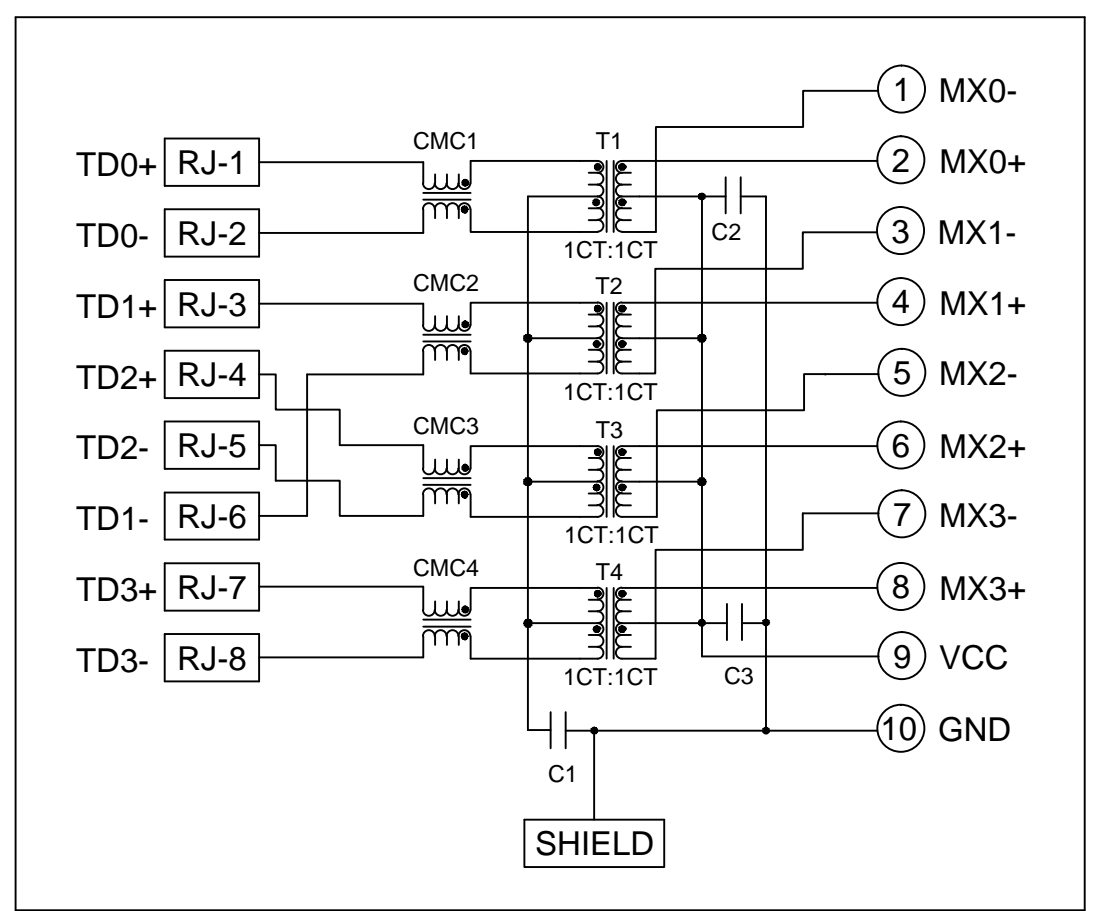
REVISIONS				
#	REV	DESCRIPTION	DATE	BY
F		LOGO CHANGE	07APR2013	GZ KZ



SCALE 5:1

S8G17 GIGABIT CIRCUIT

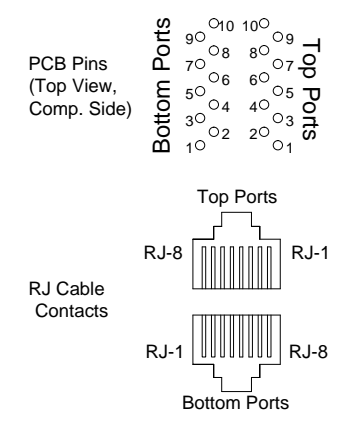
Top and Bottom Ports



- C1 = 1000pF, 2KV, 10%, X7R
- C2, C3 = 470pF, 10%, 50V

Pin Designations

(Repeat for each vertical pair of ports.)



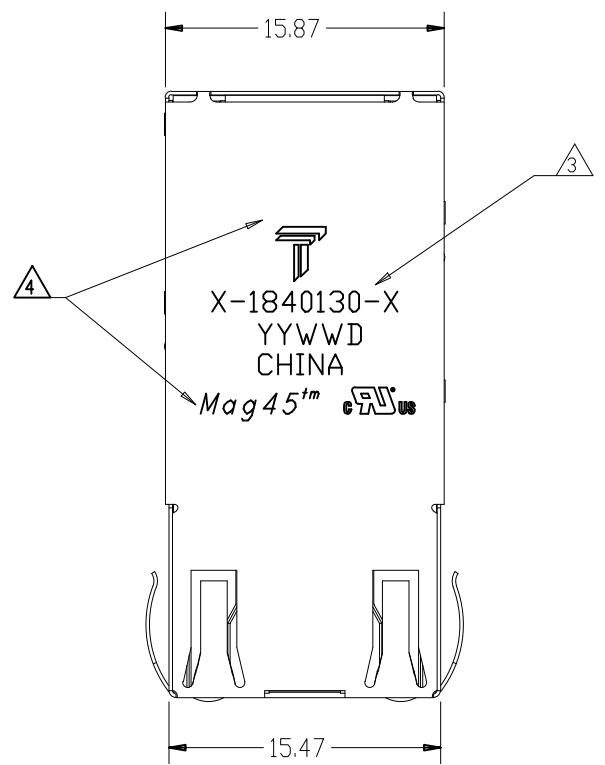
- MATERIALS:**
 - HOUSING: THERMOPLASTIC, BLACK, FLAMMABILITY RATING UL 94V-0.
 - SHIELD: BRASS, PREPLATED WITH 0.76um MIN SEMI-BRIGHT NICKEL, POST DIPPED WITH 2.54um MIN SAC SOLDER ON SOLDER TAILS.
 - CONTACTS: PHOSPHOR BRONZE, PLATED WITH 1.27um MIN OVERALL NICKEL UNDERPLATE, SELECTIVE 1.27um MIN GOLD AT MATING INTERFACE AND 2.54um MIN MATTE TIN ON SOLDER TAILS.
 - LED: DIFFUSED EPOXY LENS, CARBON STEEL LEAD FRAME LEADS, PREPLATED WITH 2.03um MIN SILVER OVER 1.02um MIN NICKEL OVER 1.02um MIN COPPER UNDERPLATE, POST PLATED WITH 2.54um MIN MATTE TIN AND/OR 2.54um MIN SAC SOLDER DIP OR PURE TIN SOLDER DIP.
- MAGNETICS:**
 - APPLICATION: 10/100/1000 BASE-T
 - IMPEDANCE: 100ohm
 - TURNS RATIO (CHIP:CABLE): 1:1 ALL FOUR PAIRS
 - OPEN CIRCUIT INDUCTANCE (OCL): 350uH MIN @100KHz, 0.1VRMS, 8mA DC BIAS FROM 0°C TO 70°C, ALL FOUR PAIRS
 - ALL FOUR PAIRS BI-DIRECTIONAL
 - PERFORMANCE @25°C:
 - INSERTION LOSS (IL): 1.1dB MAX FROM 0.5MHz TO 100MHz
 - RETURN LOSS (RL): 18dB MIN FROM 0.5MHz TO 40MHz
 - 12-20LOG(f/80)dB MIN FROM 40.1MHz TO 100MHz
 - CROSSTALK ATTENUATION: 35dB MIN FROM 0.5MHz TO 40MHz
 - 33-20LOG(f/50)dB MIN FROM 40.1MHz TO 100MHz
 - COMMON MODE REJECTION RATIO (CMRR): 30dB MIN FROM 0.5MHz TO 100MHz
 - ISOLATION VOLTAGE: 2250VDC (MAX) FOR 60 SECONDS WITH A RISE TIME OF 500V/SEC AND WITH ALL PORTS CONNECTED.
- PART NUMBER, DATE CODE AND COUNTRY OF ORIGIN ARE LOCATED IN THE APPROXIMATE AREA SHOWN. DATE CODE "YY" IS THE YEAR, "WW" IS THE WEEK, "D" IS THE DAY OF WEEK, WITH SUNDAY="1".
- TRP LOGO AND AGENCY APPROVAL LOGO ARE LOCATED IN THE APPROXIMATE AREA SHOWN.
- RJ45 CAVITIES CONFORM TO FCC RULES AND REGULATIONS PART 68 SUBPART F.
- LED IS DRIVEN WITH CONSTANT CURRENT AT APPROX 20mA
 LED COLOR: DOMINANT WAVELENGTH (λ_D):
 GREEN 568 nm TYP at IF=20mA
 YELLOW 588 nm TYP at IF=20mA
 FORWARD VOLTAGE (VF):
 GREEN 2.2V TYP at IF=20mA
 YELLOW 2.1V TYP at IF=20mA
 ONLY FOR 9-1840130-5
 ULTRA LOW WAVELENGTH GREEN (ULWG) 525 nm TYP at IF=20mA
 ULTRA LOW WAVELENGTH GREEN (ULWG) 2.8V TYP at IF=20mA
- INDICATED MAGNETIC CONNECTIONS ARE SYMMETRICAL AND SUPPORT AUTO-MDI/MDIX.
- OPERATING TEMPERATURE: FROM 0°C TO 70°C.
- THE PARTS ARE RECOMMENDED FOR WAVE SOLDERING PROCESS, PEAK TEMPERATURE IS 260°C MAX, 10 SECONDS MAX.

2.80	GREEN	GREEN/YELLOW	GREEN	GREEN/YELLOW	1840130-8
3.30	ULWG	ULWG/YELLOW	ULWG	ULWG/YELLOW	9-1840130-5
3.30	GREEN	YELLOW/GREEN	GREEN	YELLOW/GREEN	4-1840130-5
3.30	GREEN	GREEN/YELLOW	GREEN	GREEN/YELLOW	1840130-3
3.30	GREEN	YELLOW	GREEN	YELLOW	1840130-2
3.30	GREEN	GREEN	GREEN	GREEN	1840130-1
DIM A	TOP LEFT LED	TOP RIGHT LED	BOTTOM LEFT LED	BOTTOM RIGHT LED	PART NUMBER

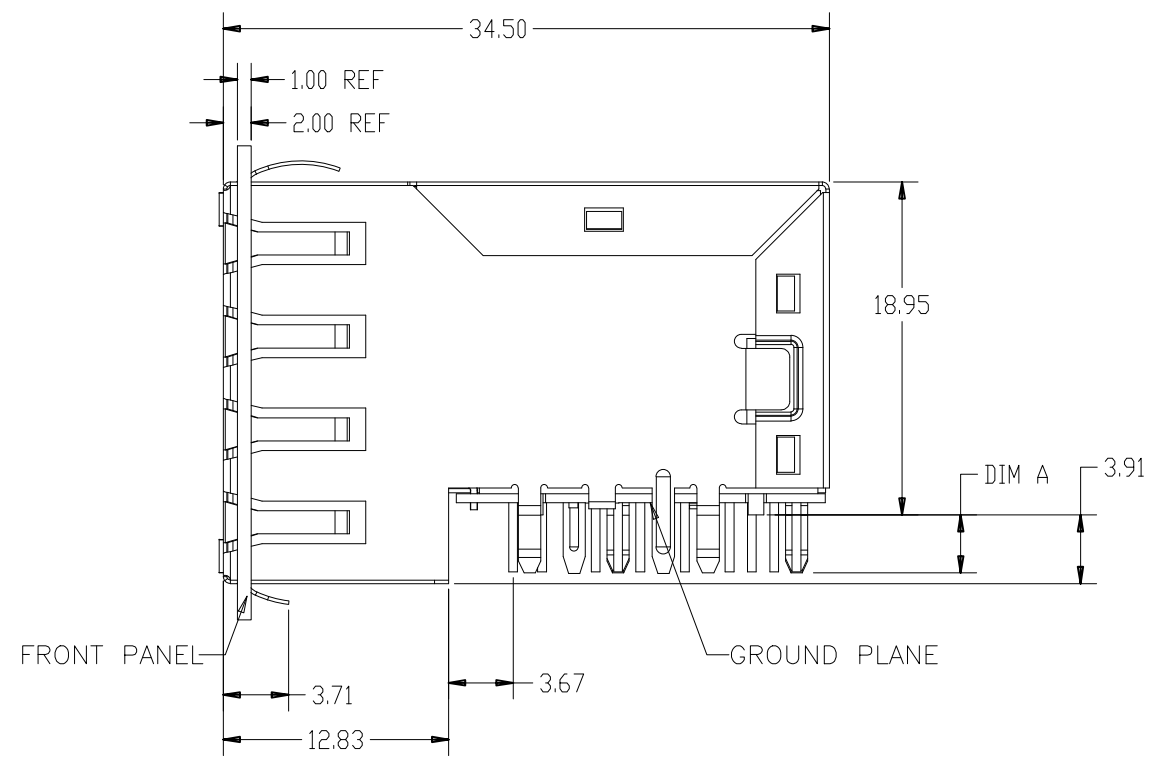
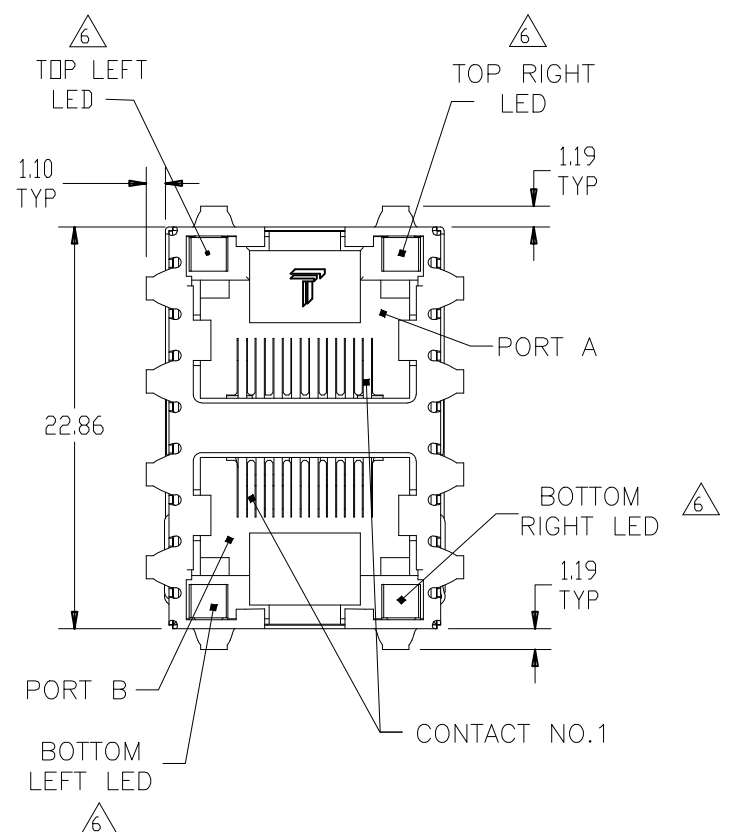
THIS DRAWING IS A CONTROLLED DOCUMENT.		DATE: 02-18-08	TRP connector Dongguan China
DRAWN BY: JEE LUO		DATE: 02-18-08	
CHECKED BY: KEITH ZHU		DATE: 02-18-08	PRODUCT SPEC: MAG45(TM) MODULE JACK, 2X1 OFFSET APPLICATION SPEC: S8G17 GIGABIT CIRCUIT, WITH LED 10 PIN VERTICAL
APPROVED BY: TEDDY XIONG		DATE: 02-18-08	
DIMENSIONS: mm		TOLERANCES UNLESS OTHERWISE SPECIFIED:	SIZE: A1
0 PLC	± 0.25	ANGLES	SCALE: 1:1
1 PLC	± 0.25		SHEET 1 OF 4
2 PLC	± 0.25		REV F
3 PLC	± 0.25		
4 PLC	± 0.25		
MATERIAL:	FINISH:	WEIGHT:	
CUSTOMER DRAWING		DRAWING NO: 1840130	

© COPYRIGHT BY TRP CONNECTOR ALL RIGHTS RESERVED.

REVISIONS				
NO	DATE	DESCRIPTION	BY	APPD
F	07APR2013	LOGO CHANGE	GZ	KZ



SCALE 5.000



THIS DRAWING IS A CONTROLLED DOCUMENT.		DRN	JEFF LUD	02-18-08
		CHK	KEITH ZHU	02-18-08
		APD	TEDDY KIANG	02-18-08
DIMENSIONS:		PRODUCT SPEC		
mm	OTHERWISE UNLESS OTHERWISE SPECIFIED:	MFG		
0 PLC	± 0.25	MAG45(TM) MODULE JACK, 2X1 OFFSET		
1 PLC	± 0.25	S8G17 GIGABIT CIRCUIT, WITH LED 10 PIN VERTICAL		
2 PLC	± 0.25	APPLICATION SPEC		
3 PLC	± 0.25	SIZE		
4 PLC	± 0.25	CAGE CODE		
MATERIAL	FINISH	DRAWING NO		
-	-	A1		
		MFG PART		
		C=1840130		
		CUSTOMER DRAWING		
		SCALE 1:1 SHEET 2 OF 4 REV F		

D

C

B

A

D

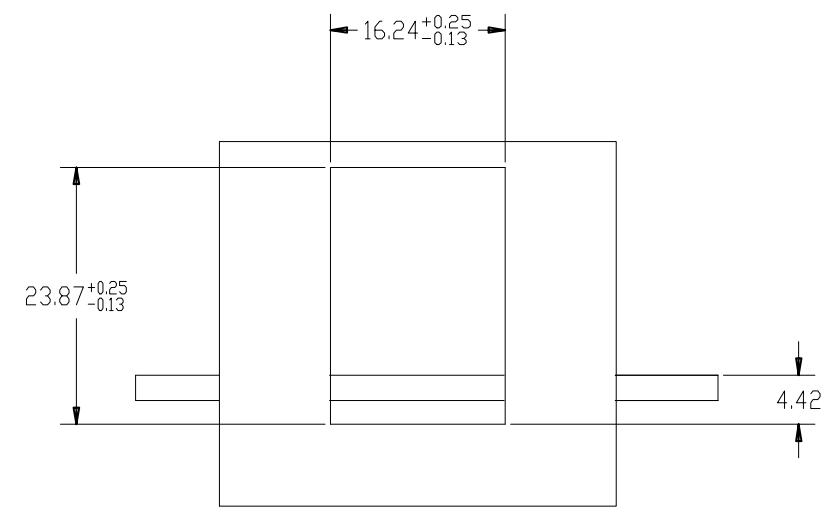
C

B

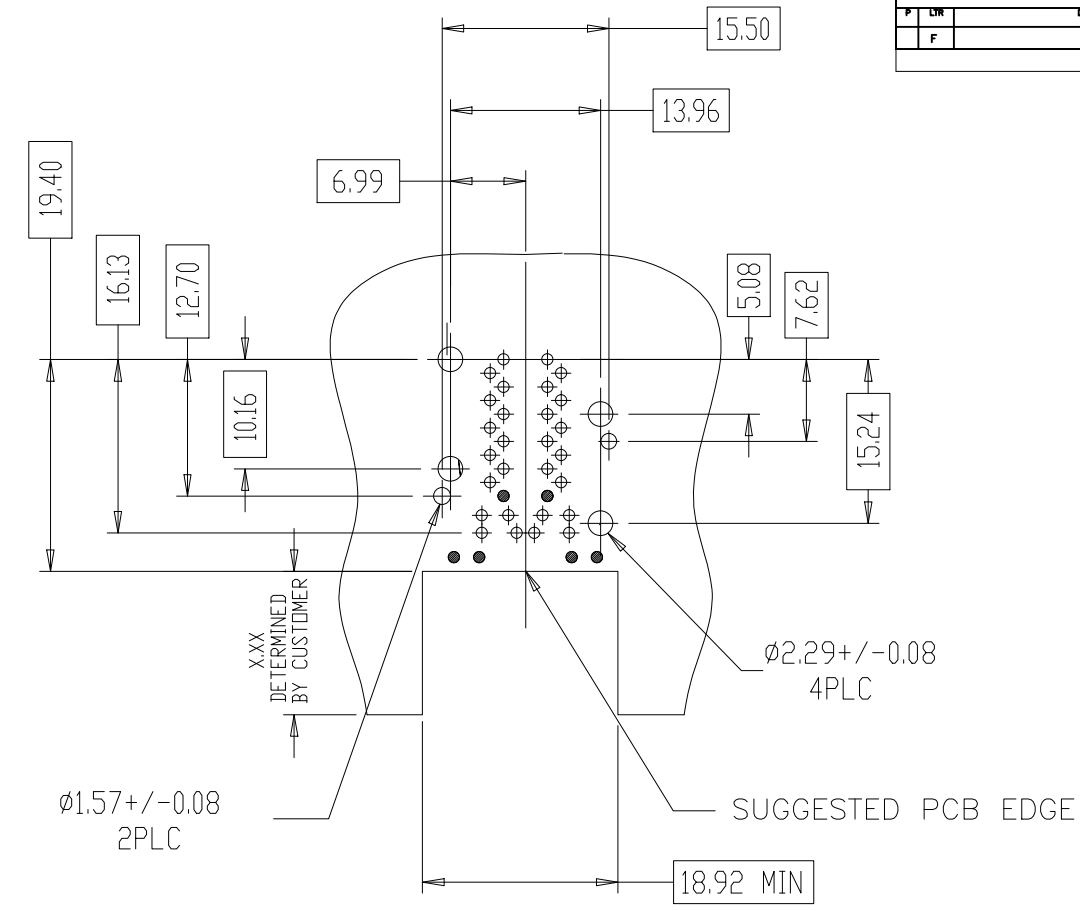
A

© COPYRIGHT BY TRP CONNECTOR ALL RIGHTS RESERVED.

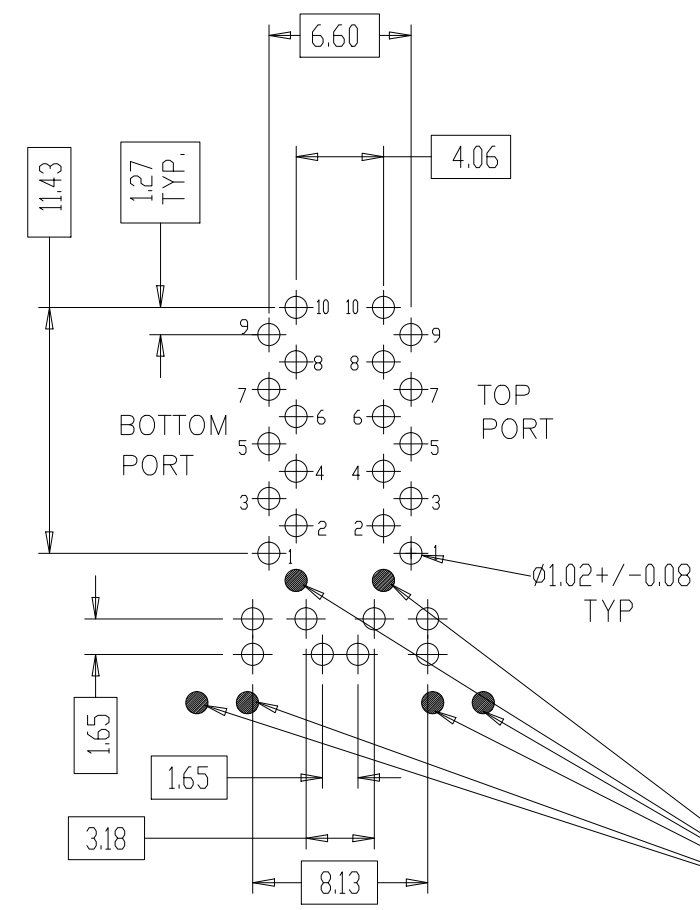
REVISIONS				
#	DATE	BY	APP'D	DESCRIPTION
F	07APR2013	GZ	KZ	



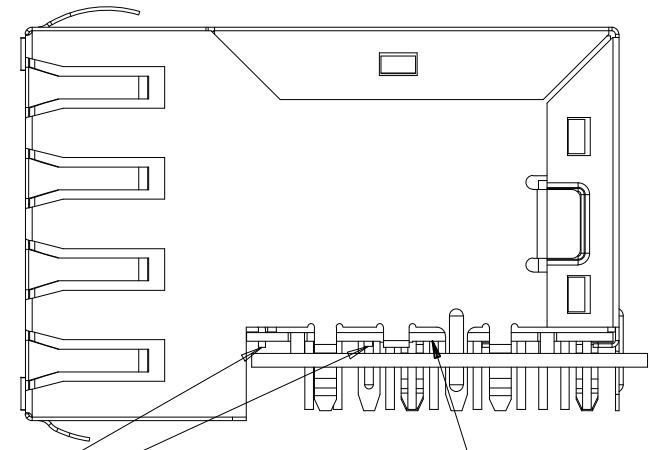
RECOMMENDED PANEL CUT-OUT



RECOMMENDED PC BOARD LAYOUT VIEWED FROM COMPONENT SIDE



DETAIL G
SCALE: 2:1

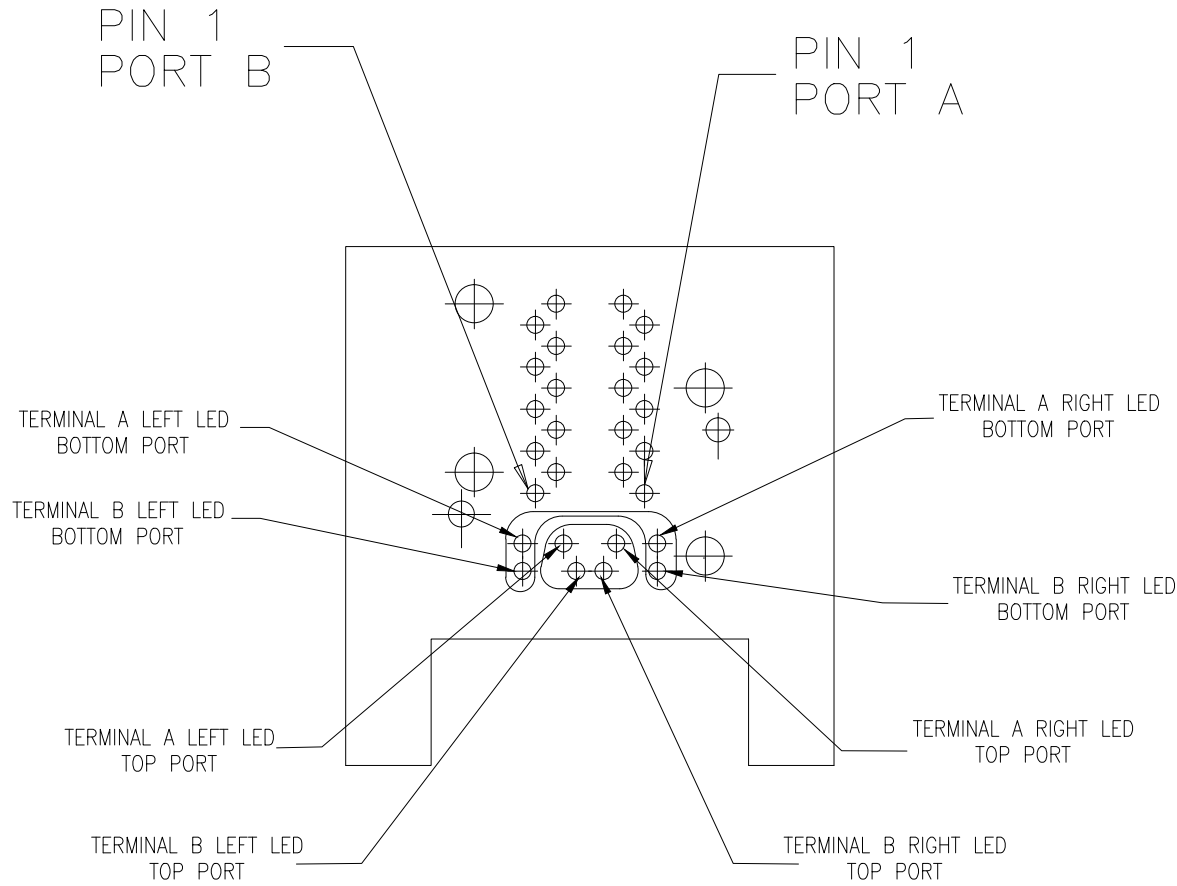


ALL THE SIGNAL PINS MUST BE SOLDERED WITH BOTTOM PCB

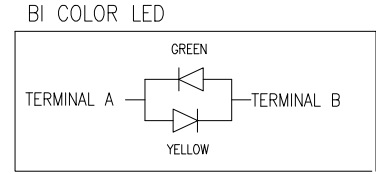
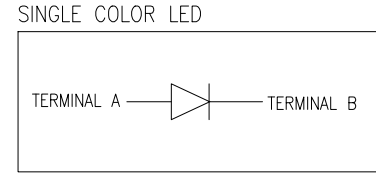
PIN #0 AND SOME LED PINS ARE STUB PINS WITH LENGTH SIMILAR TO PCB STANDOFF HEIGHT. PRECAUTIONS SHOULD BE TAKEN IN PCB DESIGN TO GUARD AGAINST SHORTING TRACES TO STUB PINS.

THIS DRAWING IS A CONTROLLED DOCUMENT.		DATE: 02-18-06	TRP connector
DRAWN BY: JEE LHO		DATE: 02-18-06	Dongguan China
CHECKED BY: KEITH ZHU		DATE: 02-18-06	
APPROVED BY: TEDDY XIANG		DATE: 02-18-06	
DIMENSIONS: mm		TOLERANCES UNLESS OTHERWISE SPECIFIED:	
0 PLC ± -		1 PLC ± 0.25	
1 PLC ± 0.25		2 PLC ± 0.25	
2 PLC ± 0.25		3 PLC ± 0.25	
3 PLC ± 0.25		4 PLC ± 0.25	
4 PLC ± 0.25		ANGLES ± -	
MATERIAL: -		FINISH: -	
WEIGHT: -		SCALE: 1:1	
CUSTOMER DRAWING		SIZE: A1	DRAWING NO: 1840130
		SHEET: 3	REV: F

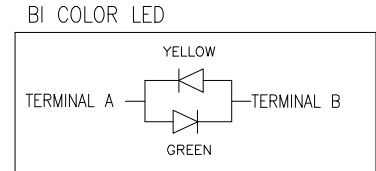
REVISIONS				
NO.	DATE	BY	CHK	APP
1	07APR2013	GZ	KZ	



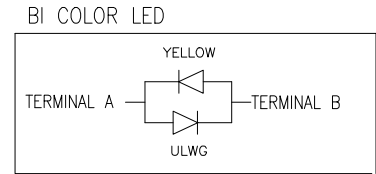
LED HOLE DESIGNATIONS VIEWED FROM COMPONENT SIDE



THE SCHEMATICS FOR 1840130-3, 1840130-8



THE SCHEMATICS FOR 4-1840130-5



THE SCHEMATICS FOR 9-1840130-5

THIS DRAWING IS A CONTROLLED DOCUMENT.		DRW: JEE LUO 02-18-06	<p>TRP connector Dongguan China</p>
DIMENSIONS: mm		CHK: KEITH ZHU 02-18-06	
0 P.L.C	± 0.15	APPD: TEDDY XIONG 02-18-06	<p>MAG45(TM) MODULE JACK, 2X1 OFFSET S8G17 GIGABIT CIRCUIT, WITH LED 10 PIN VERTICAL</p>
1 P.L.C	± 0.25	PRODUCT SPEC	
2 P.L.C	± 0.25	APPLICATION SPEC	SIZE: A1
3 P.L.C	± 0.35	MATERIAL	QAGE CODE: C=1840130
4 P.L.C	± 0.35	FINISH	RESTRICTED TO
ANGLES	± 0.25	WEIGHT	SCALE: 1:1
		CUSTOMER DRAWING	SHEET 4 OF 4 REV F