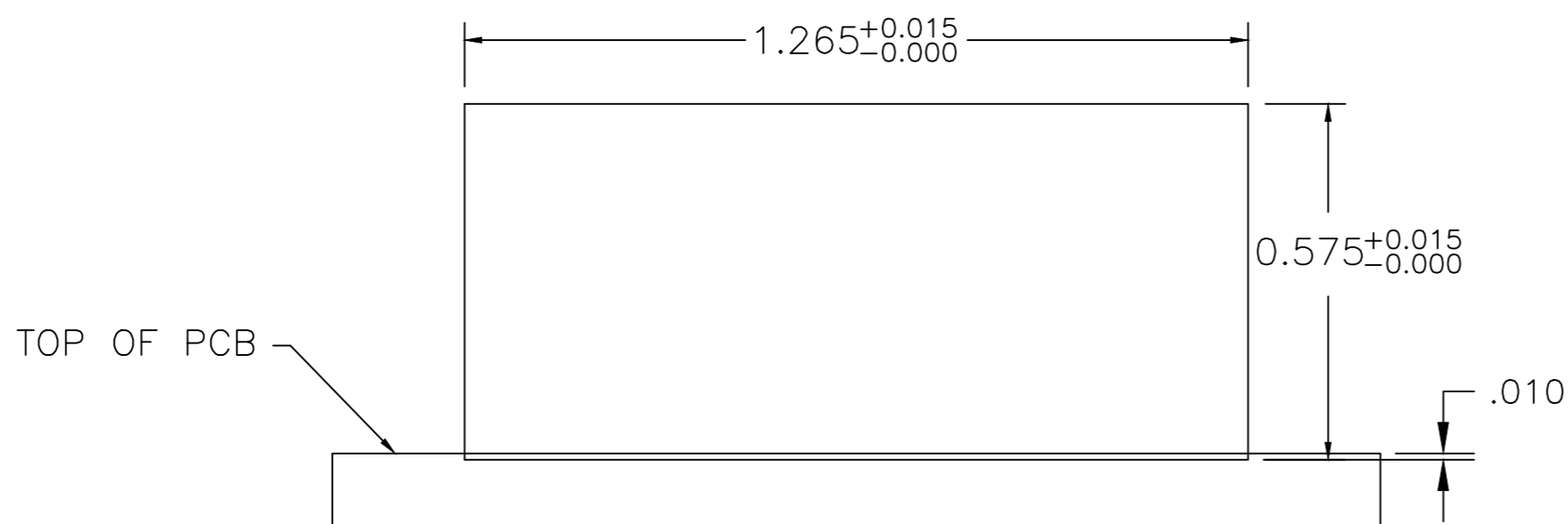
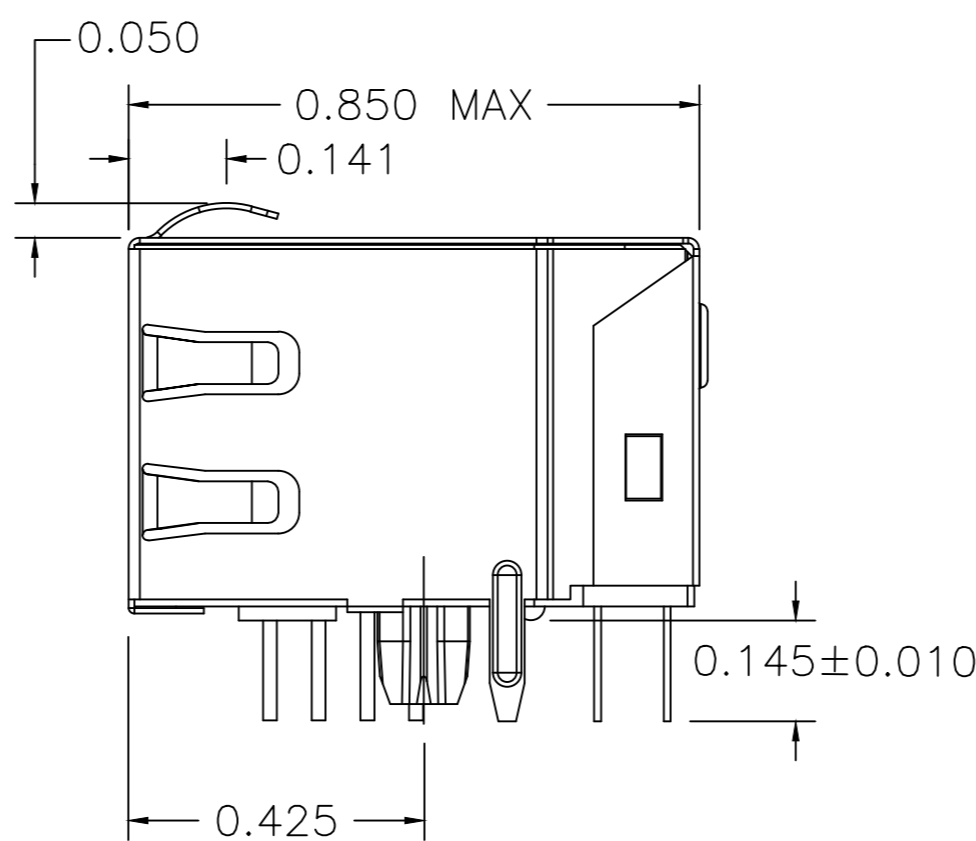
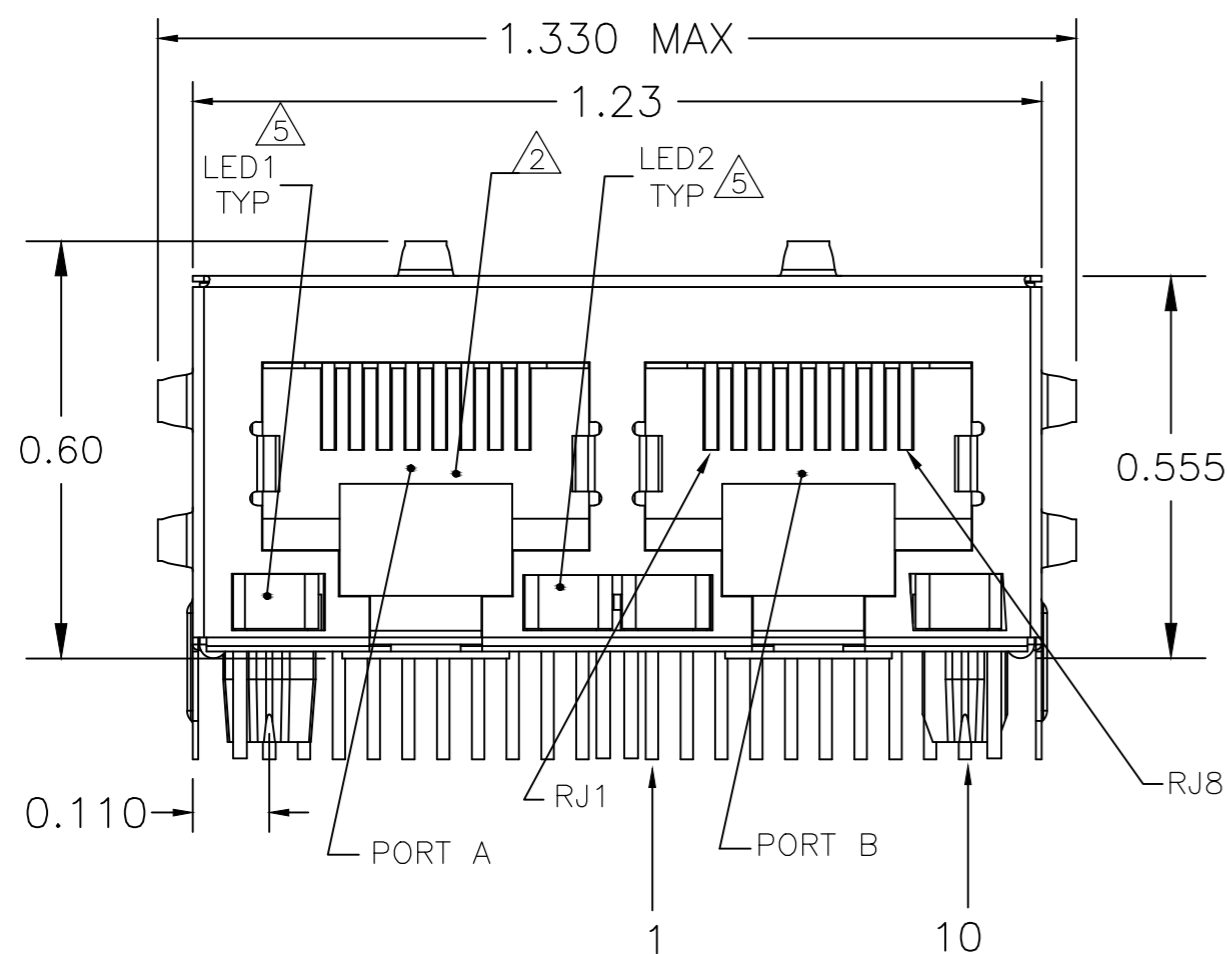
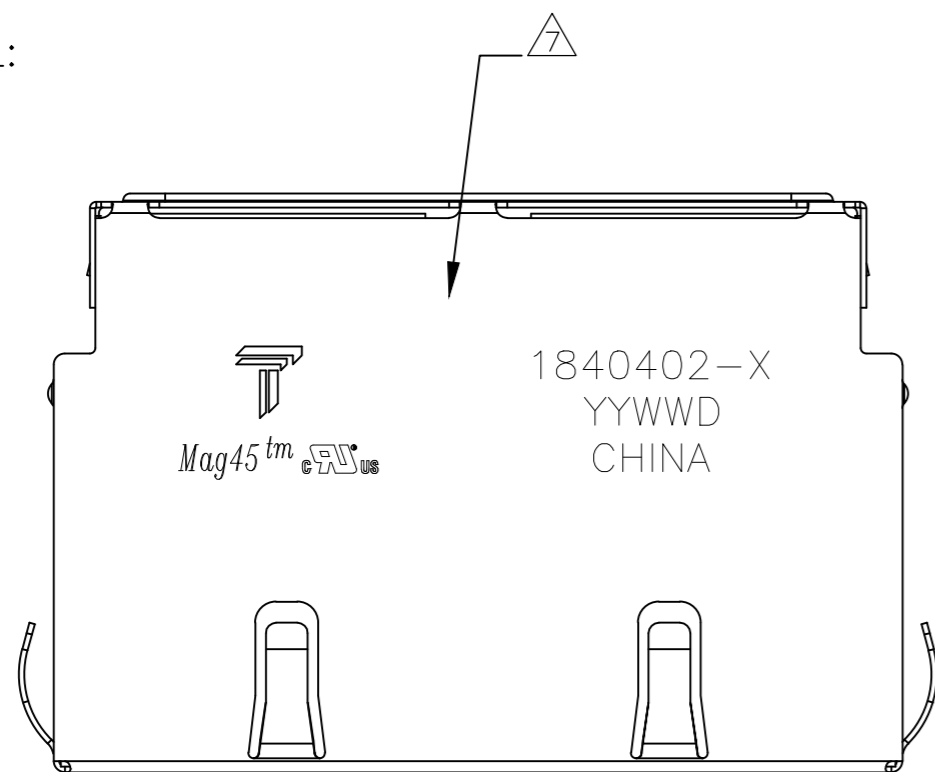


REVISIONS					
P	LTR	DESCRIPTION	DATE	DWN	APVD
H		LOGO CHANGE	07APR2013	PP	KZ

MECHANICAL:



1X2 SUGGESTED PANEL CUTOUT

- 1 MATERIALS:
 - HOUSING - THERMOPLASTIC PBT POLYESTER FLAMMABILITY RATING UL 94V-0.
 - SHIELD - .008" THICK, C26800 BRASS PREPLATED WITH 30μINCH MIN SEMI-BRIGHT NICKEL. SOLDER TABS POST DIPPED WITH 100μINCH MIN SAC SOLDER.
 - MOD JACK CONTACTS - 0.0157 X 0.018" PHOSPHOR BRONZE, 50μINCH MIN OVERALL NICKEL UNDERPLATE WITH SELECT 50μINCH MIN HARD GOLD FINISH PLATE.
 - SOLDERTAILS WITH 100μINCH MIN MATTE TIN AND/OR SAC SOLDER DIP.
 - LIGHT EMITTING DIODE(LED)-DIFFUSED EPOXY LENS, 0.020"X0.020" CARBON STEEL WIREFRAME LEADS PREPLATED WITH 80μINCH SILVER OVER 40μINCH NICKEL UNDERPLATE OVER 40μINCH COPPER UNDERPLATE; POST-PLATED WITH 100μINCH MIN MATTE TIN AND/OR SAC SOLDER DIP OR PURE SOLDER DIP.

- 2 RJ45 JACK CAVITY CONFORMS TO FCC RULES AND REGULATIONS PART 68, SUB PART F.

- 3 MAGNETICS
 - APPLICATION: 10/100/1000 BASE-T
 - IMPEDANCE: 100 OHMS
 - TURNS RATIO (CHIP:CABLE): 1:1 ALL FOUR PAIRS
 - OPEN CIRCUIT INDUCTANCE (OCL): 350μH MIN @100kHz, 0.1VRMS, 8mADC BIAS FROM 0°C TO 70°C, ALL FOUR PAIRS
 - ALL FOUR PAIRS BI-DIRECTIONAL
 - PERFORMANCE @ 25°C:
 - INSERTION LOSS (IL): 1.1dB MAX FROM 0.5MHz TO 100MHz
 - RETURN LOSS (RL): 18dB MIN FROM 0.5MHz TO 40MHz
 - 12-20LOG(f/80)dB MIN FROM 40.1MHz TO 100MHz
 - CROSSTALK ATTENUATION: 35dB MIN FROM 0.5MHz TO 40MHz
 - 33-20LOG(f/50)dB MIN FROM 40.1MHz TO 100MHz
 - COMMON MODE REJECTION RATIO (CMRR): 30dB MIN FROM 0.5MHz TO 100MHz
 - ISOLATION VOLTAGE: COMPLIES WITH IEEE802.3 2002, PARA 40.6.1.1, ITEM b.

- 4. OPERATING TEMPERATURE: FROM 0°C TO +70°C.

- 5 THE 250 OHM RESISTORS ARE OPTIONAL, PLEASE SEE CHART FOR PRESENCE OR ABSENCE OF LED RESISTORS. IF THE LED WITHOUT 250 OHM RESISTORS, LED IS DRIVEN WITH CONSTANT CURRENT AT APPROX 20mA.LED COLOR:
 - DOMINANT WAVELENGTH(λD):GREEN 568nm TYP. @ IF=20mA
 - FORWARD VOLTAGE (VF): GREEN 2.2V TYP. @ IF=20mA
 - DOMINANT WAVELENGTH(λD):YELLOW 588nm TYP. @ IF=20mA
 - FORWARD VOLTAGE (VF): YELLOW 2.1V TYP. @ IF=20mA.
 IF THE LED WITH 250 OHM RESISTORS,LED IS DRIVEN WITH 5V VOLTAGE AND THE MAX OPERATING CURRENT IS 20mA.LED COLOR:
 - DOMINANT WAVELENGTH(λD):GREEN 568nm TYP. @ VF=5V
 - FORWARD CURRENT (IF): GREEN 12 mA TYP. @ VF=5V
 - DOMINANT WAVELENGTH (λD): YELLOW 588nm TYP. @ VF=5V
 - FORWARD CURRENT (IF): YELLOW 13 mA TYP. @ VF=5V

- 6 INDICATED MAGNETIC CONNECTIONS ARE SYMMETRICAL AND SUPPORT AUTO-MDIX.

- 7 TRP CONNECTOR LOGO, PART NUMBER, DATE CODE, COUNTRY OF ORIGIN AND AGENCY APPROVAL MARKING IN APPROXIMATE LOCATION SHOWN.

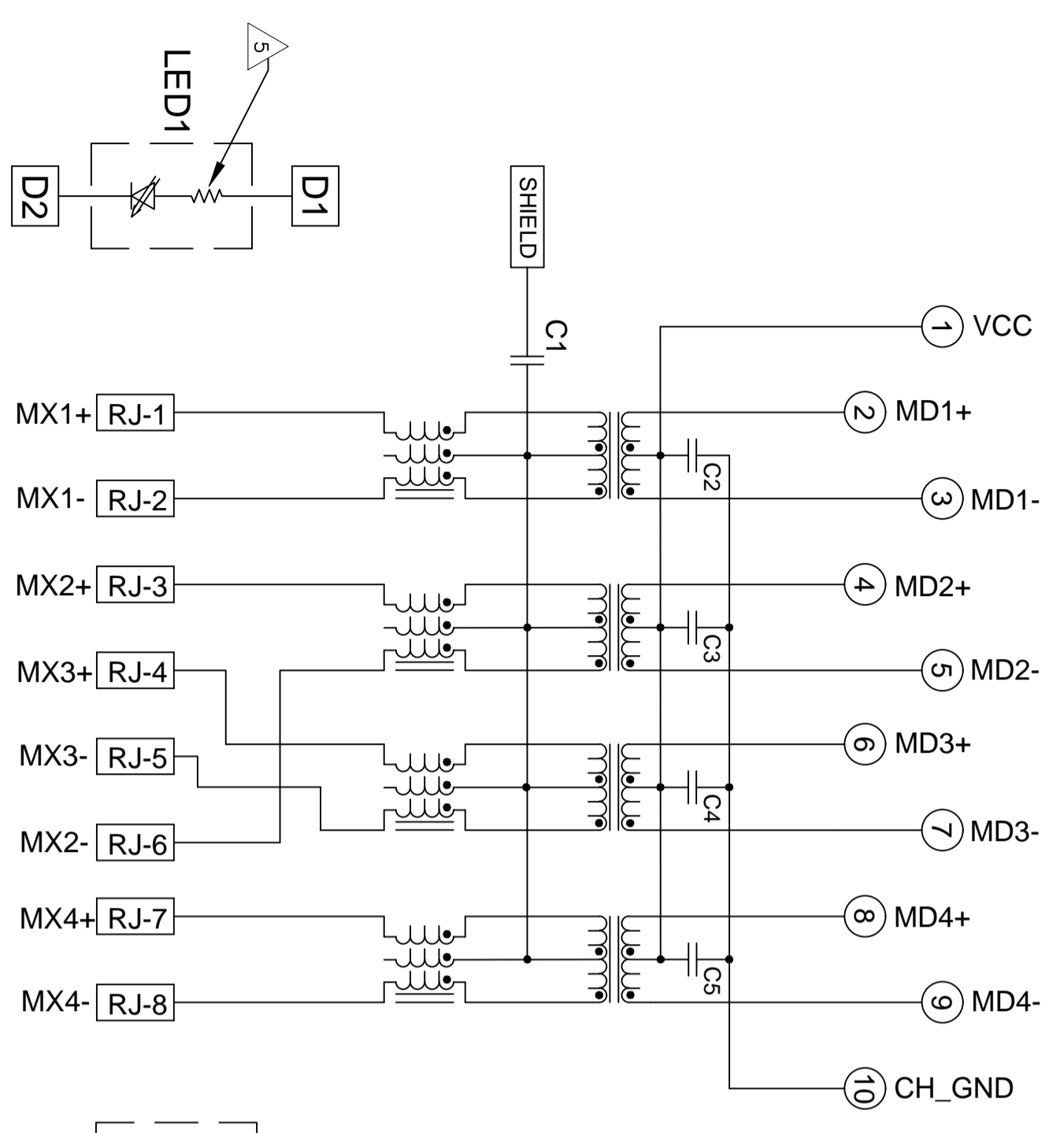
- 8. THESE PARTS ARE RECOMMENDED FOR WAVE SOLDERING PROCESS,PREHEAT TEMPERATURE IS 120°C TO 160°C, 120 SECONDS TO 180 SECONDS,PEAK WAVE SOLDERING TEMPERATURE IS 260°C MAX,10 SECONDS MAX.

NO	GREEN	GREEN	6-1840402-7
YES	GREEN	GREEN	6-1840402-1
NO	GREEN	GREEN/YELLOW	1-1840402-6
NO	GREEN/YELLOW	GREEN/YELLOW	1840402-6
250 OHMS RESISTOR 5	LED1 5	LED2 5	PART NUMBER

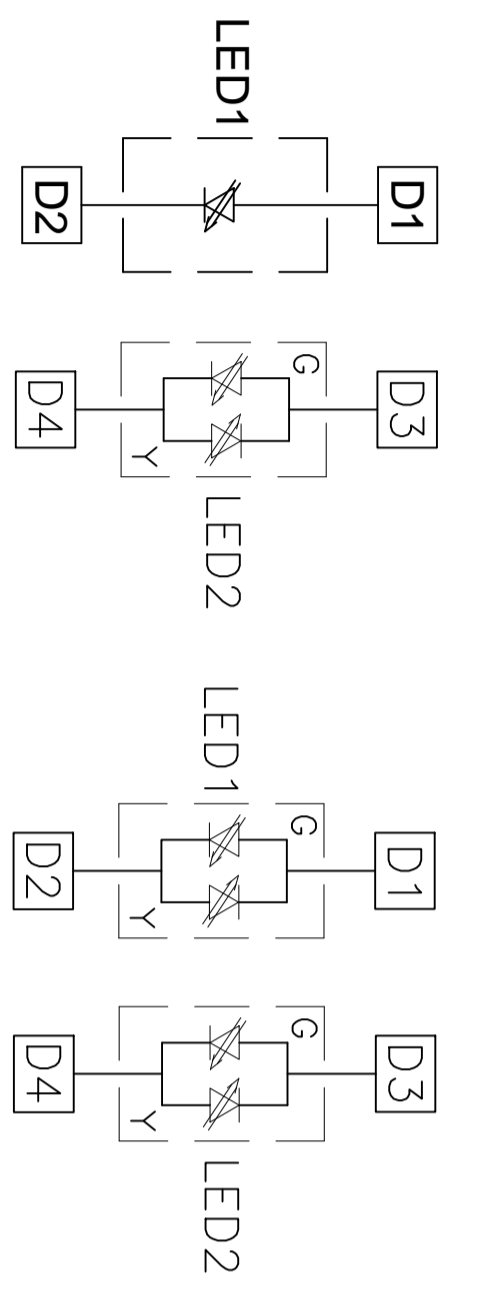
THIS DRAWING IS A CONTROLLED DOCUMENT.		DWN GOLD ZHU 05 Aug 2005	TRP connector Dongguan China	
DIMENSIONS: INCHES		CHK MICHAEL ZHANG 05 AUG 2005		
TOLERANCES UNLESS OTHERWISE SPECIFIED:		APVD TEDDY XIONG 05 AUG 2005	NAME 1X2 MAG45(TM) MODULAR JACK, (10 PIN HORIZONTAL), 4G08P1 GIGABIT CIRCUIT, SHIELDED, WITH LEDS	
0 PLC ± - 1 PLC ± - 2 PLC ± .010 3 PLC ± .005 4 PLC ± - ANGLES ± - FINISH		PRODUCT SPEC 108-2100	SIZE A2	CAGE CODE 00779
MATERIAL		APPLICATION SPEC	DRAWING NO C=1840402	RESTRICTED TO
		WEIGHT -	SCALE 2:1	SHEET 1 OF 2
		CUSTOMER DRAWING	REV H	

ELECTRICAL:

4G08P1 GIGABIT CIRCUIT

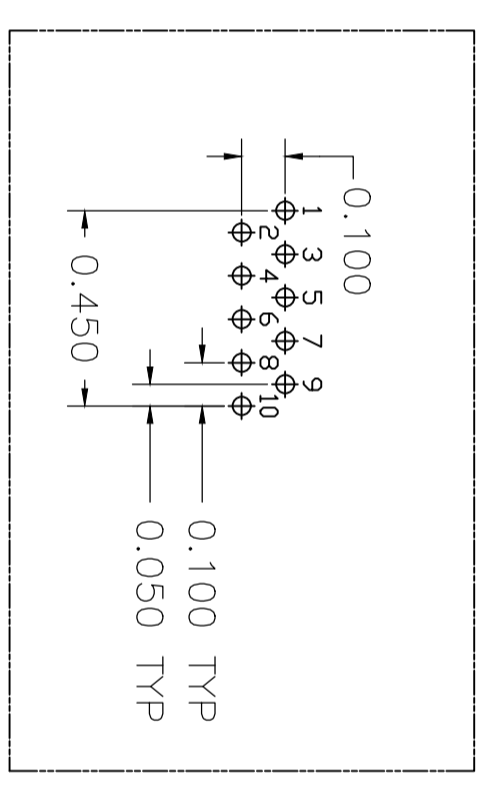


C1 = 1000pF, 2kV, X7R CAPACITOR
 C2 - C5 = 470pF, 50V CAPACITORS

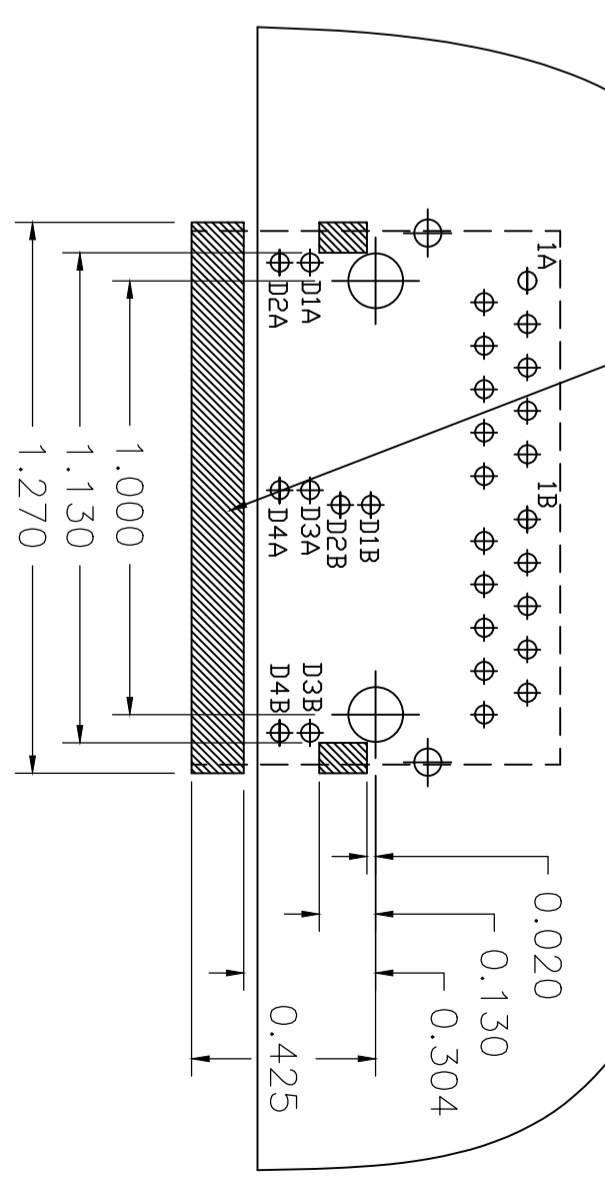


LED CONFIGURATION
 FOR 1-1840402-6 ONLY

LED CONFIGURATION
 FOR 1840402-6 ONLY

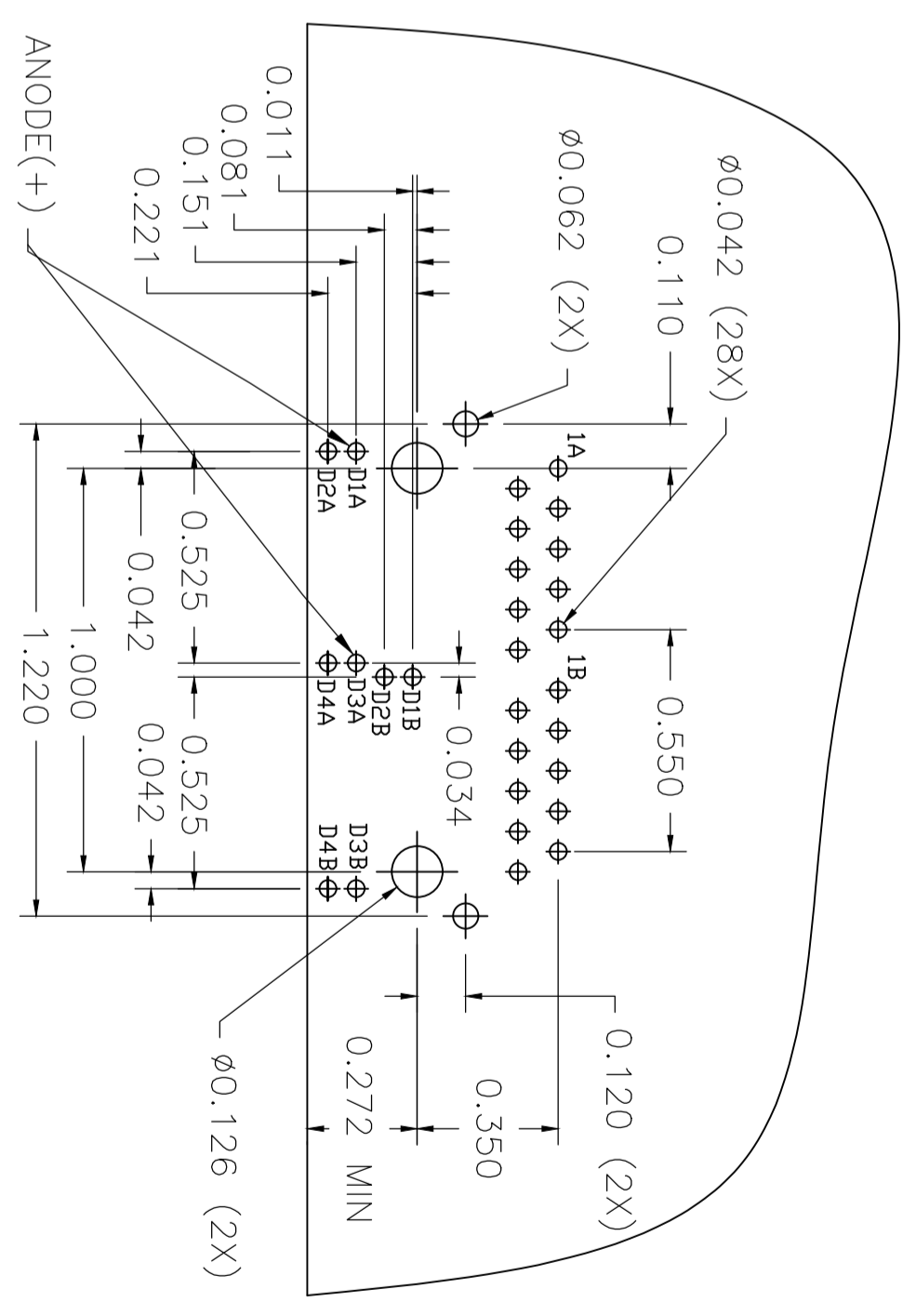


PIN DESIGNATIONS



SUGGESTED PCB KEEP OUT AREA
 (Component Side)

IT IS RECOMMENDED THAT SHADED AREA
 OF CUSTOMER PC BOARD SHOULD BE
 CLEAR OF ANY VIA HOLES AND COMPONENTS



SUGGESTED PCB LAYOUT
 (Component Side)

THIS DRAWING IS A CONTROLLED DOCUMENT.		DWG 05 Aug 2005		TRP connector	
GOLD ZHU		05 Aug 2005		Dongguan China	
MICHAEL ZHANG		05 Aug 2005			
APVD TEDDY XIONG		05 Aug 2005			
PRODUCT SPEC		108-2100		NAME	
APPLICATION SPEC				(10 PIN HORIZONTAL), 4G08P1 GIGABIT CIRCUIT, SHIELDED, WITH LEDs	
WEIGHT		A2 00779		CAGE CODE	
CUSTOMER DRAWING		C=1840402		DRAWING NO	
		SCALE 2:1		RESTRICTED TO	
		SHEET 2 OF 2			
		REV H			