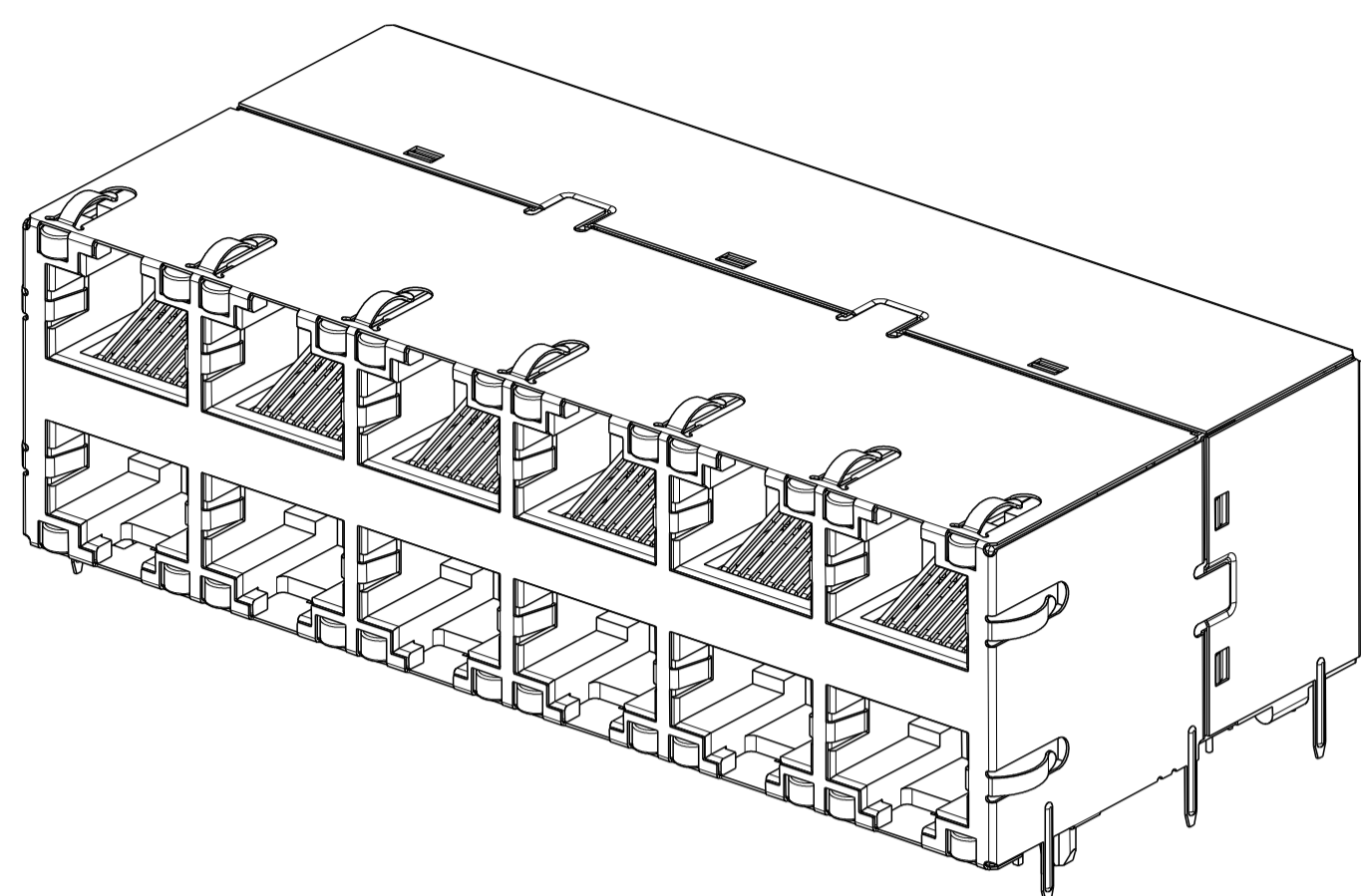
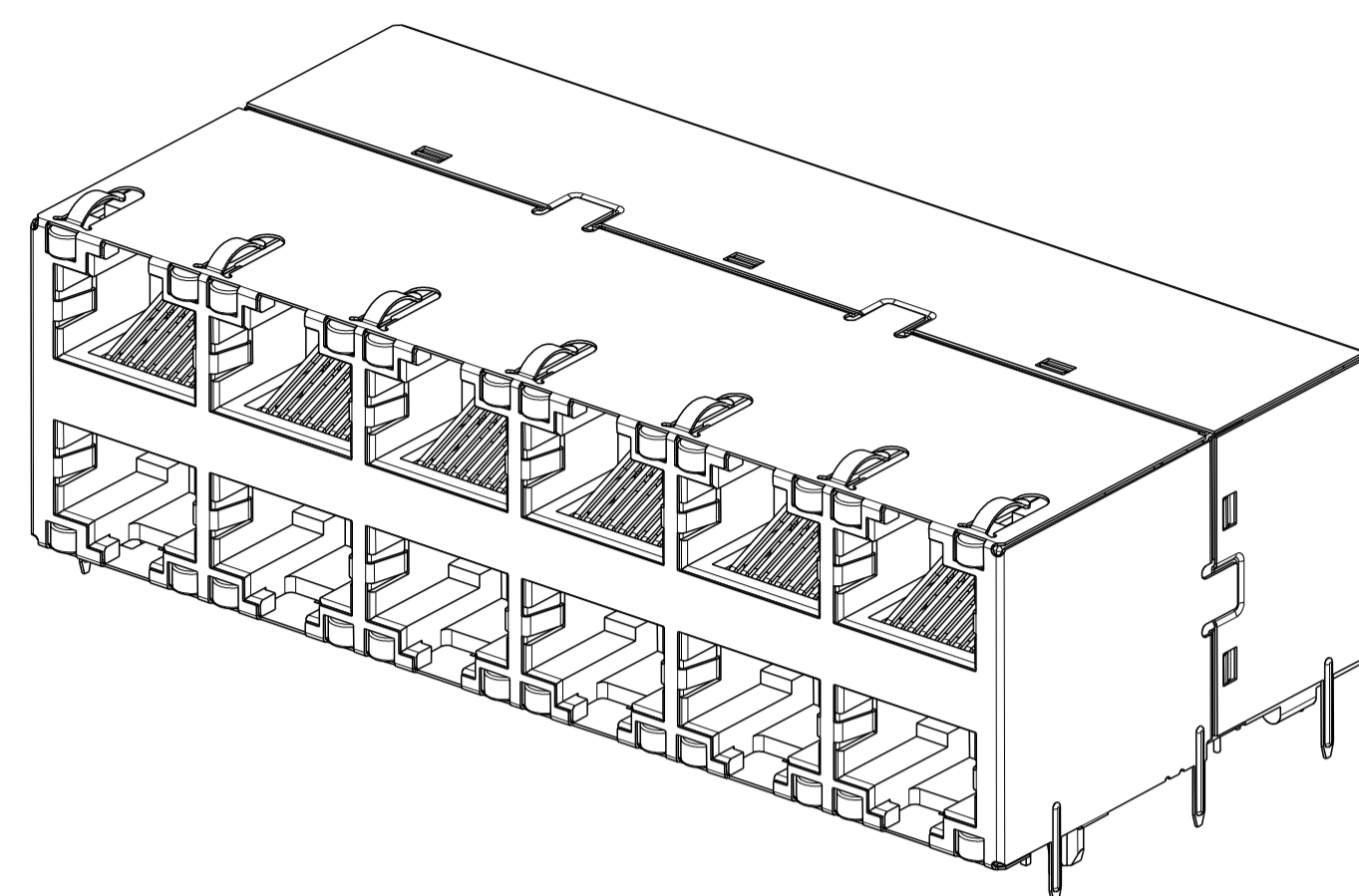


REVISIONS					
P	LT#	DESCRIPTION	DATE	DWN	APVD
C		LOGO CHANGE	18APR2013	RL	KZ

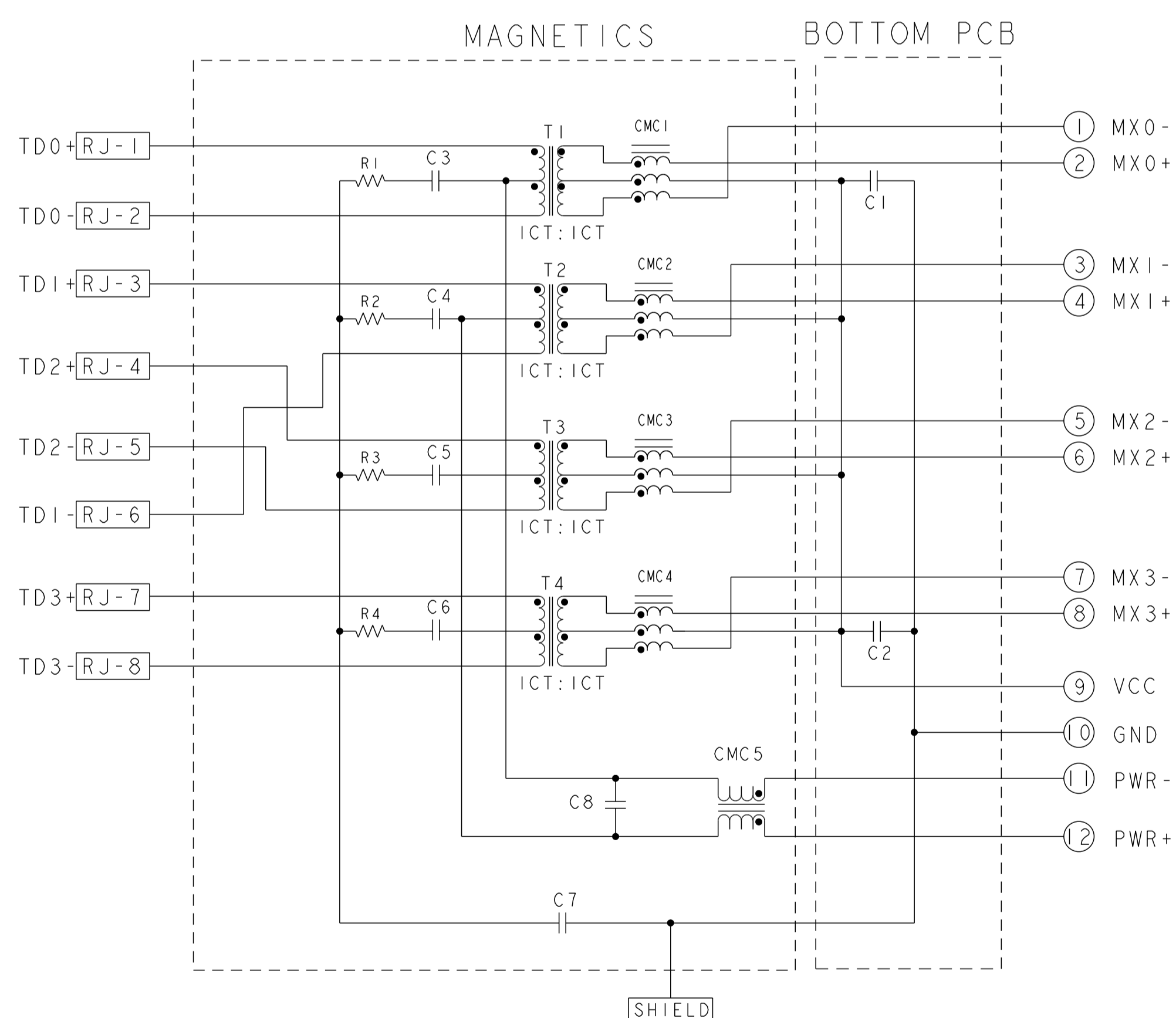


PART NUMBER WITH SIDE TAB



PART NUMBER WITHOUT SIDE TAB

S9HG49C GIGABIT PoE PLUS CIRCUIT $\triangle\triangle$
 TOP AND BOTTOM PORTS



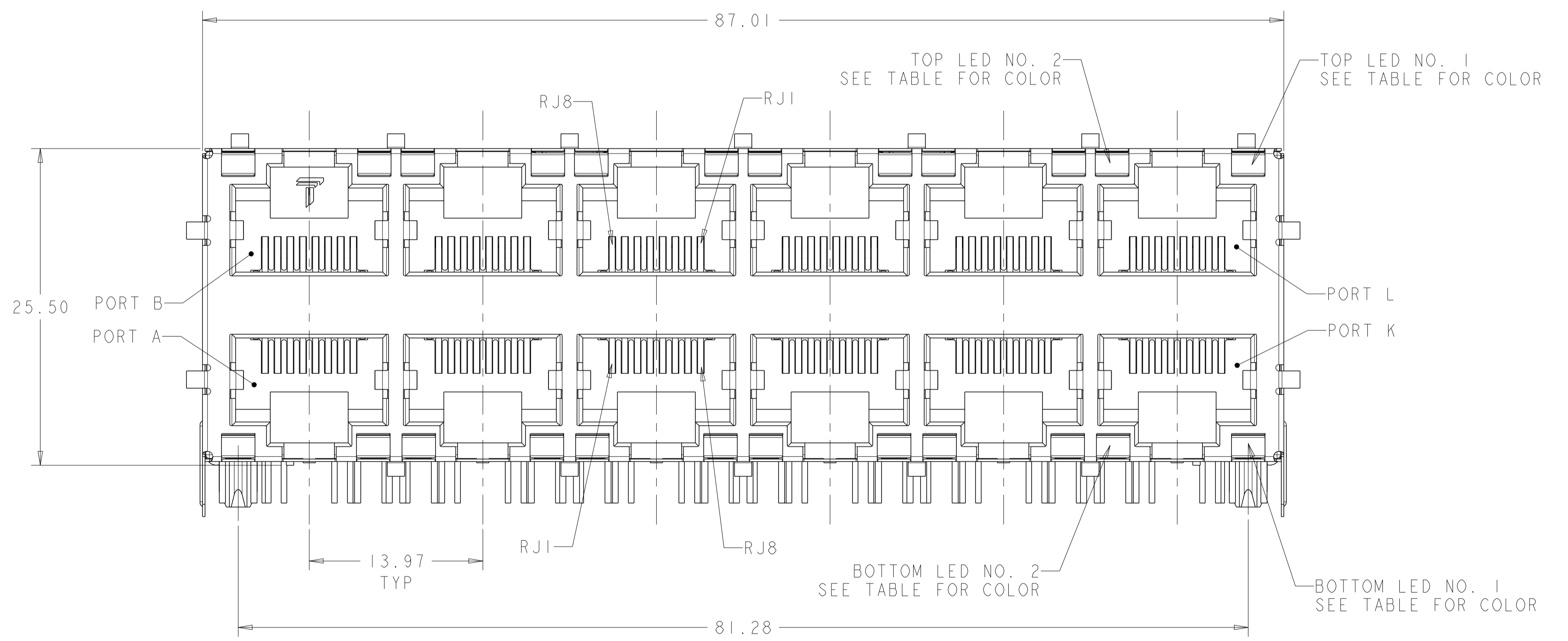
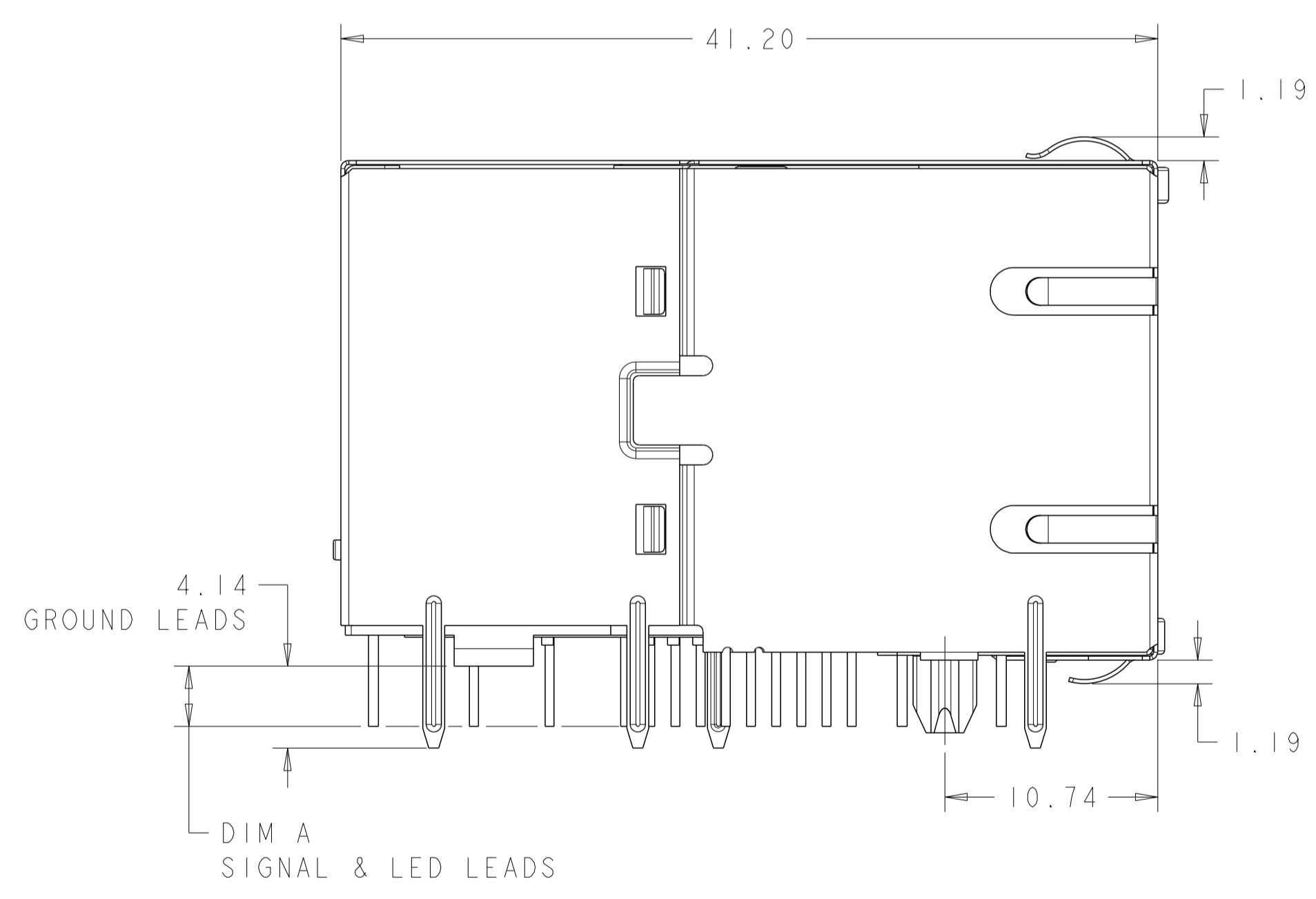
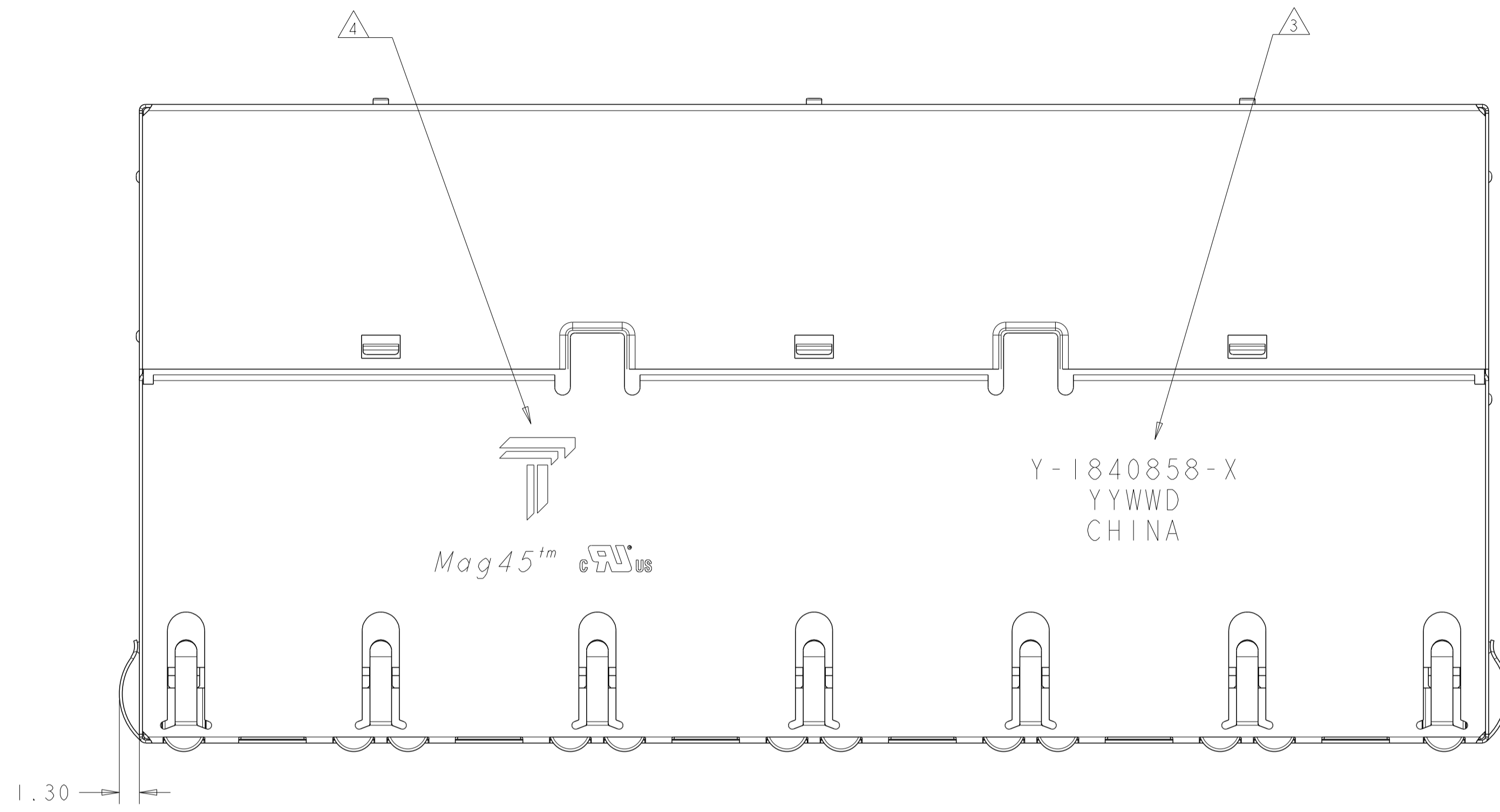
C1-C2=10nF, 50V, CAPACITORS
 C3-C6=22nF, 100V, CAPACITORS
 C7=1000pF, 3KV, CAPACITOR
 C8=68nF, 100V, CAPACITOR
 R1-R4=75 OHMS, 1/16W, RESISTORS

1. MATERIALS:
 PLASTIC HOUSING: BLACK, THERMOPLASTIC FLAMMABILITY RATING UL 94V-0
 SHIELD: BRASS, PREPLATED WITH 0.76um MIN SEMI-BRIGHT NICKEL,
 POST DIPPED WITH 2.54um MIN SAC SOLDER ON SOLDER TAILS,
 CONTACTS: PHOSPHOR BRONZE, 1.27um MIN OVERALL NICKEL UNDERPLATE
 WITH SELECT 1.27um MIN GOLD OR WITH SELECT 0.05um MIN GOLD OVER
 0.76um MIN PALLADIUM-NICKEL AT MATING INTERFACE AND 2.54um MIN
 MATTE TIN ON SOLDER TAILS.
 LED: DIFFUSED EPOXY LENS, CARBON STEEL LEAD FRAME TAILS OF LED
 ARE PREPLATED WITH 2.03um MIN SILVER OVER 1.02um MIN NICKEL
 UNDERPLATE OVER 1.02um MIN COPPER UNDERPLATE. POST-PLATED WITH
 2.54um MIN MATTE TIN AND/OR SAC SOLDER DIP OR PURE TIN SOLDER DIP
2. MAGNETICS:
 APPLICATION: 10/100/1000 BASE-T, PoE PLUS
 IMPEDANCE: 100ohms
 TURNS RATIO (CHIP:CABLE): 1:1 ALL FOUR PAIRS
 OPEN CIRCUIT INDUCTANCE (OCL): 350uH MIN @100KHz, 0.1VRMS,
 20mA DC BIAS FROM 0°C TO 70°C, ACROSS RJ1 ~ RJ2 & RJ3 ~ RJ6;
 8mA DC BIAS FROM 0°C TO 70°C, ACROSS RJ4 ~ RJ5 & RJ7 ~ RJ8.
 ALL FOUR PAIRS BI-DIRECTIONAL
 POE CURRENT: 600mA DC MAX
 PERFORMANCE @25°C:
 INSERTION LOSS (IL): 1.1dB MAX FROM 1.0MHz TO 100MHz
 RETURN LOSS (RL): 18dB MIN FROM 1.0MHz TO 40MHz
 12-20LOG(f/80)dB MIN FROM 40.1MHz TO 100MHz
 CROSSTALK ATTENUATION: 35dB MIN FROM 1.0MHz TO 40MHz
 33-20LOG(f/50)dB MIN FROM 40.1MHz TO 100MHz
 COMMON MODE REJECTION RATIO (CMRR):
 30dB MIN FROM 1.0MHz TO 100MHz
 ISOLATION VOLTAGE: 1500VAC(MAX) AT 60Hz FOR 60 SECONDS WITH ALL PORTS CONNECTED.
3. PART NUMBER, DATE CODE AND COUNTRY OF ORIGIN LOCATED IN APPROXIMATE AREA SHOWN
 DATE CODE: YYWW WHERE "YY" IS YEAR, "WW" IS WORK WEEK, "D" IS DAY OF WEEK,
 WITH SUNDAY =1
4. TRP CONNECTOR LOGO AND AGENCY APPROVAL LOGO ARE LOCATED
 IN APPROXIMATE AREA SHOWN.
5. OPERATING TEMP: FROM 0°C TO 70°C.
6. RJ45 CAVITY CONFORMS TO FCC RULES AND REGULATION PART 68 SUBPART F.
7. INDICATED MAGNETIC CONNECTIONS ARE SYMMETRICAL AND SUPPORT AUTO-MDI/MDIX.
8. DATUM AND BASIC DIMENSION ESTABLISHED BY CUSTOMER.
9. DIMENSION ESTABLISHED BY CUSTOMER, BUT MAY NOT BE
 GREATER THAN 5.08mm.
10. LEDS ARE DRIVEN WITH CONSTANT CURRENT AT APPROX 20mA
 LED COLOR: DOMINANT WAVELENGTH (λ D): GREEN 568 nm TYP. @ IF=20mA
 FORWARD VOLTAGE (VF): GREEN 2.2V TYP. @ IF=20mA
 DOMINANT WAVELENGTH (λ D): YELLOW 588 nm TYP. @ IF=20mA
 FORWARD VOLTAGE (VF): YELLOW 2.1V TYP. @ IF=20mA
11. THESE PARTS ARE RECOMMENDED FOR WAVE SOLDERING PROCESS, PEAK TEMPERATURE 260°C
 FOR 10 SECONDS

YES	3.81	GREEN/YELLOW	GREEN/YELLOW	GREEN/YELLOW	GREEN/YELLOW	4-1840858-4
NO	3.04	GREEN/YELLOW	GREEN/YELLOW	GREEN/YELLOW	GREEN/YELLOW	9-1840858-4
YES	2.60	GREEN/YELLOW	GREEN/YELLOW	GREEN/YELLOW	GREEN/YELLOW	2-1840858-4
NO	2.79	GREEN/YELLOW	GREEN/YELLOW	GREEN/YELLOW	GREEN/YELLOW	1-1840858-4
YES	3.04	GREEN/YELLOW	GREEN/YELLOW	GREEN/YELLOW	GREEN/YELLOW	1840858-4
SIDE TAB	DIM A	BOTTOM LED NO. 2	BOTTOM LED NO. 1	TOP LED NO. 2	TOP LED NO. 1	PART NO.

THIS DRAWING IS A CONTROLLED DOCUMENT.

DRAWN: RICK LI/SEAN HE	DATE: 17NOV2010	TRP connector Dongguan China
CHECKED: TONY YUAN	DATE: 17NOV2010	
APPROVED: KE LTH ZHU	DATE: 17NOV2010	
PRODUCT SPEC: 108-104004	NAME: 2X6 MAG45(TM), GIGABIT S9HG49C PoE PLUS CIRCUIT, W/LEDs	
DIMENSIONS: mm	TOLERANCES UNLESS OTHERWISE SPECIFIED:	SIZE: A1
0 PLC ±	1 PLC ±	SCALE: NTS
2 PLC ±0.25	3 PLC ±	SHEET 1 OF 4
4 PLC ±	ANGLES ±	REV C
MATERIAL: SEE NOTE 1	FINISH: SEE NOTE 1	Customer Drawing



THIS DRAWING IS A CONTROLLED DOCUMENT.

DIMENSIONS: mm 		TOLERANCES UNLESS OTHERWISE SPECIFIED: 0 PLC ± 1 PLC ± 2 PLC ±0.25 3 PLC ± 4 PLC ± ANGLES ° ± FINISH SEE NOTE 1		DWG: RICK LI/SEAN HE 17NOV2010 CHK: TONY YUAN 17NOV2010 APVD: KEITH ZHU 17NOV2010 PRODUCT SPEC: 108-104004 APPLICATION SPEC:		TRP connector Dongguan China NAME: 2X6 MAG45(TM), GIGABIT S9HG49C PoE PLUS CIRCUIT, W/LEDS SIZE: A1 CAGE CODE: 1840858 DRAWING NO:		RESTRICTED TO: - SCALE: NTS SHEET: 2 OF 4 REV: C	
MATERIAL: SEE NOTE 1		FINISH: SEE NOTE 1		WEIGHT: - Customer Drawing		©=1840858		SCALE: NTS SHEET: 2 OF 4 REV: C	

D

C

B

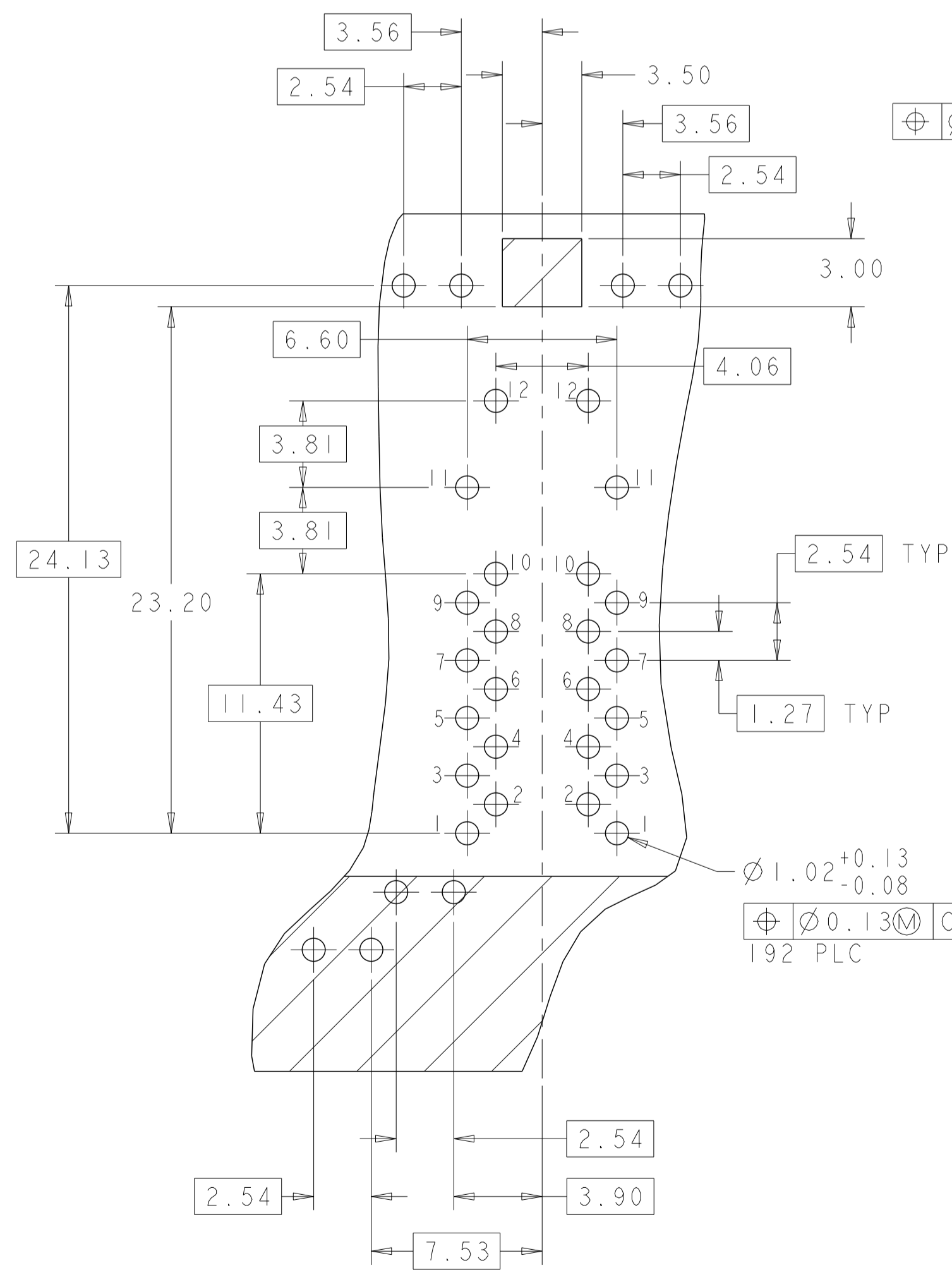
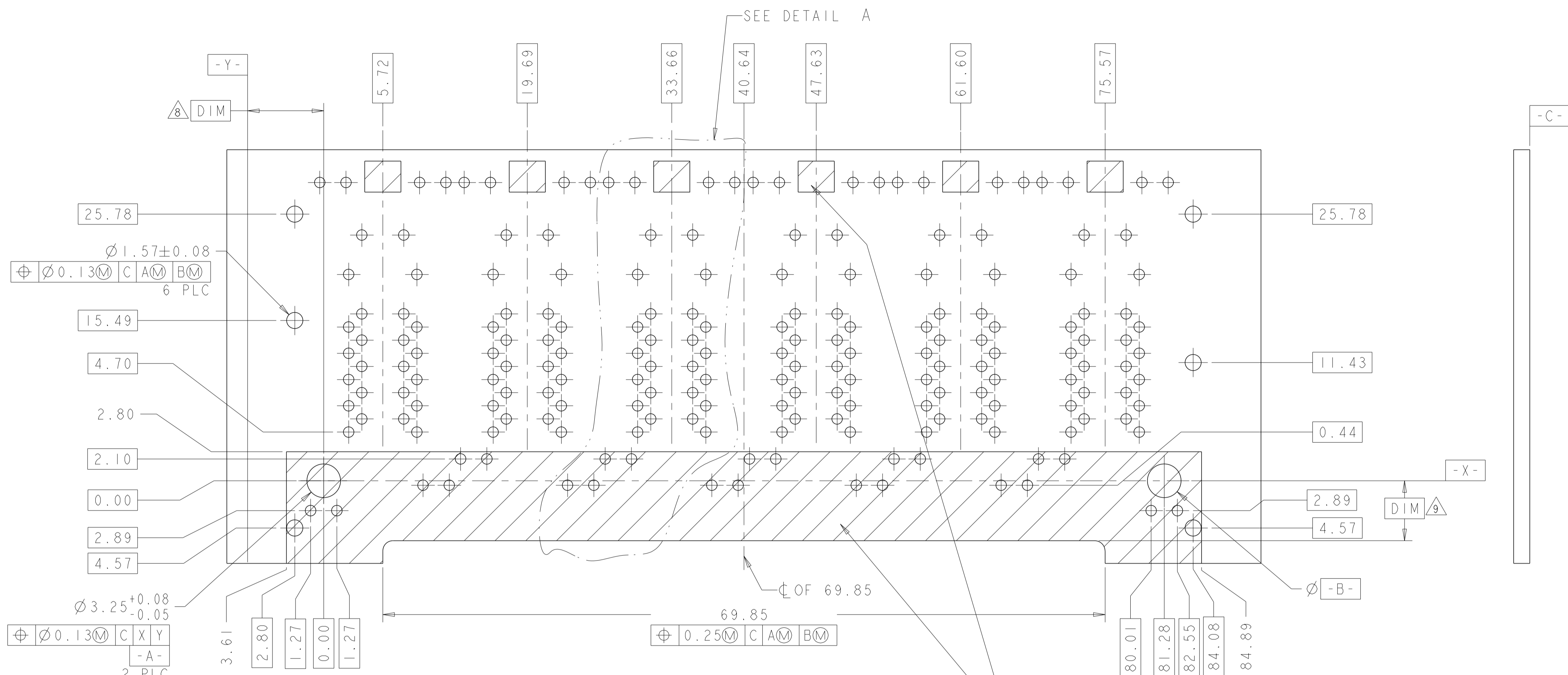
A

D

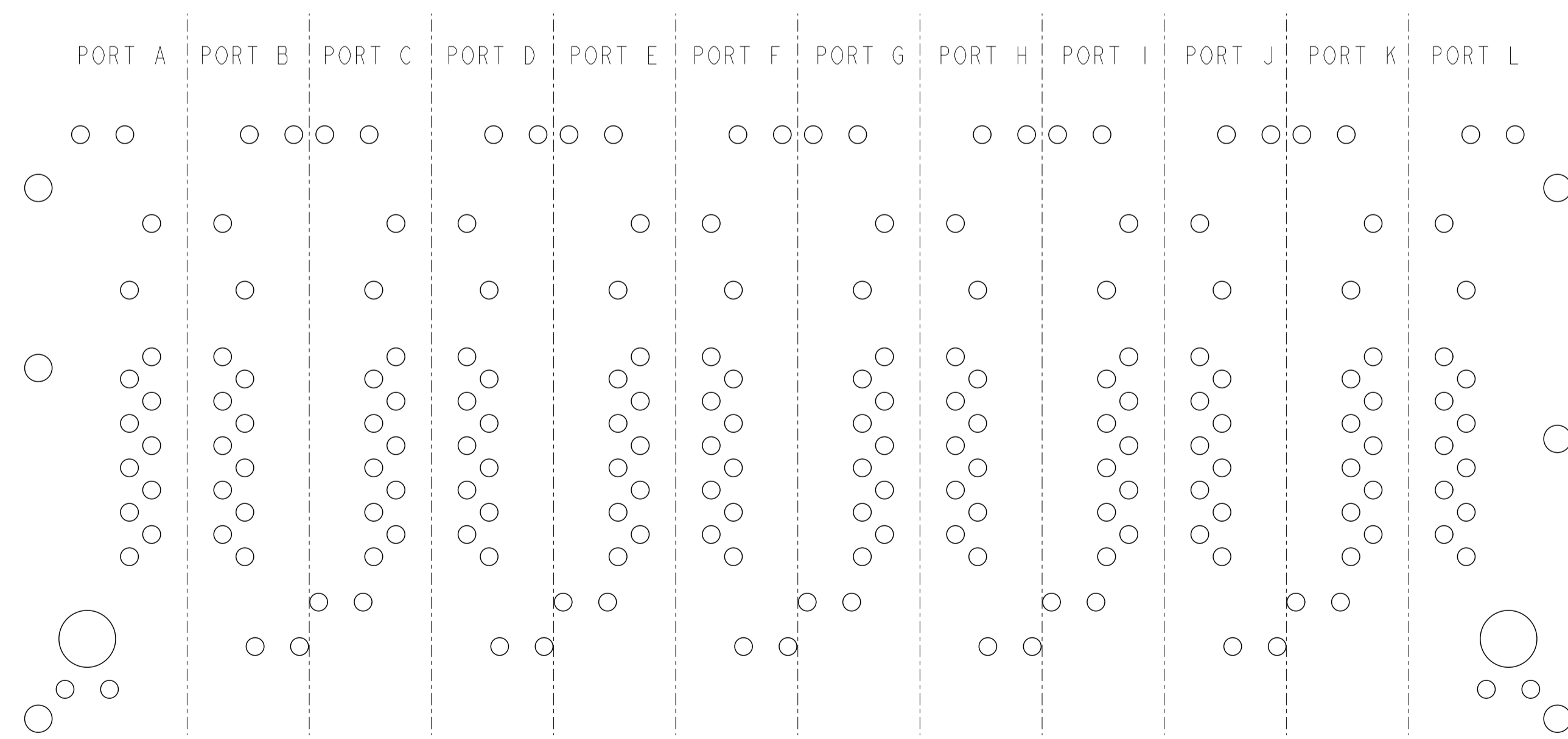
C

B

A

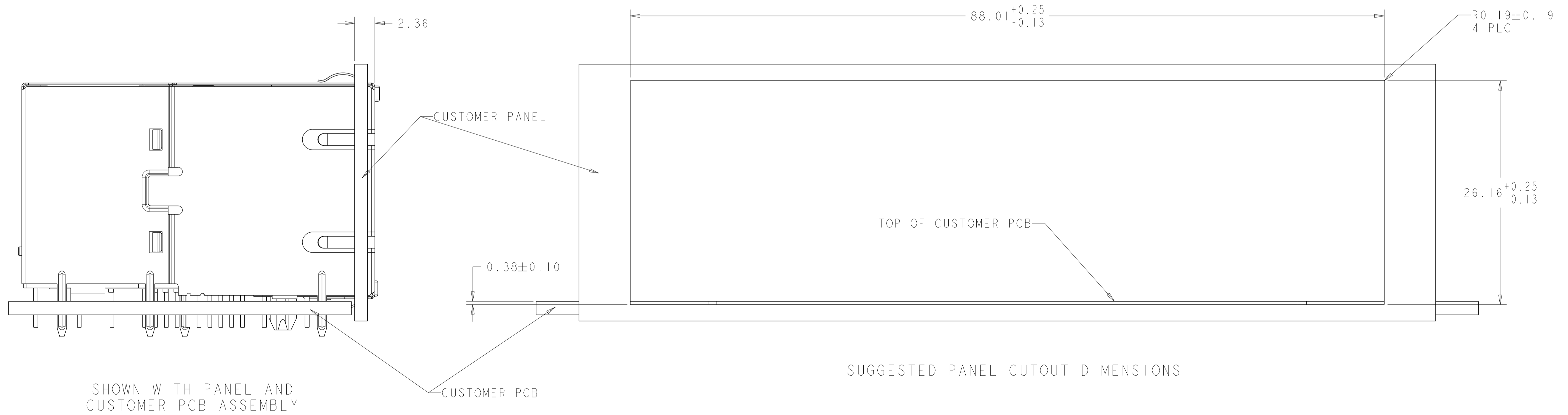
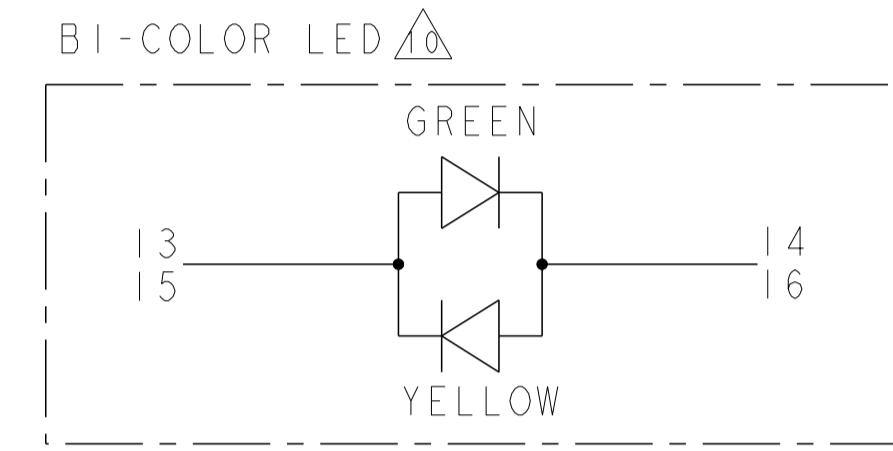
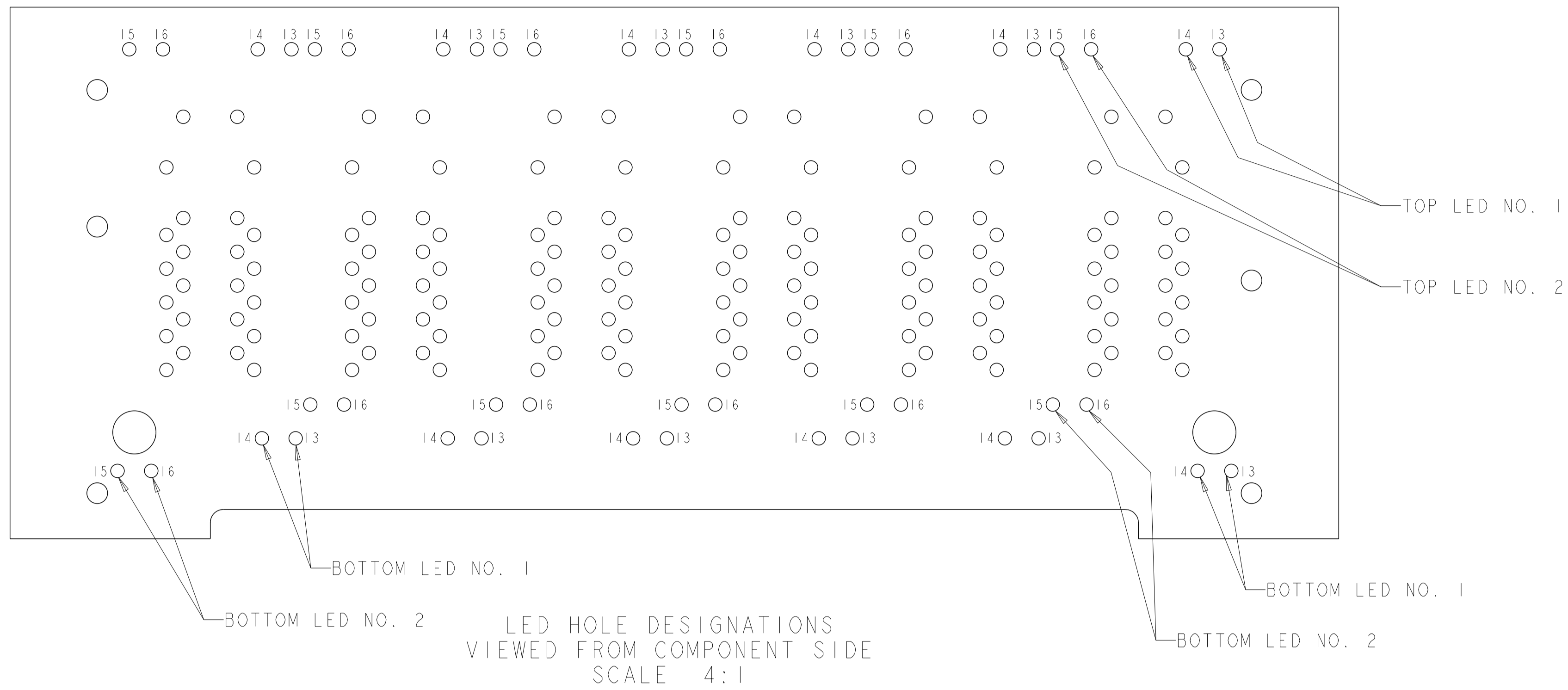


DETAIL A
 SCALE 5:1



PORT ASSIGNMENT
 VIEWED FROM COMPONENT SIDE
 SCALE 4:1

THIS DRAWING IS A CONTROLLED DOCUMENT.		DWG: 17NOV2010 RICK LI/SEAN HE		TRP connector Dongguan China	
DIMENSIONS: mm		CHK: 17NOV2010 TONY YUAN		PRODUCT SPEC	
TOLERANCES UNLESS OTHERWISE SPECIFIED:		APVD: 17NOV2010 KEITH ZHU		NAME: 2X6 MAG45(TM), GIGABIT S9HG49C PoE PLUS CIRCUIT, W/LEDS	
0 PLC ±	1 PLC ±	2 PLC ±0.25	3 PLC ±	4 PLC ±	RESTRICTED TO
MATERIAL: SEE NOTE 1		FINISH: SEE NOTE 1		SIZE: A1	SCALE: NTS
Customer Drawing		WEIGHT: -		CAGE CODE: 1840858	SHEET 3 OF 4
				REV: C	



SUGGESTED PANEL CUTOUT DIMENSIONS

THIS DRAWING IS A CONTROLLED DOCUMENT.		OWN: RICK LI/SEAN HE 17NOV2010	TRP connector Dongguan China
DIMENSIONS: mm		CHK: TONY YUAN 17NOV2010	
TOLERANCES UNLESS OTHERWISE SPECIFIED: 0 PLC ± 1 PLC ± 2 PLC ±0.25 3 PLC ± 4 PLC ± ANGLES ° FINISH		APVD: KEITH ZHU 17NOV2010 PRODUCT SPEC 108-104004 APPLICATION SPEC	
MATERIAL: SEE NOTE 1	FINISH: SEE NOTE 1	WEIGHT: -	NAME: 2X6 MAG45(TM), GIGABIT S9HG49C PoE PLUS CIRCUIT, W/LEDS SIZE: A1 CAGE CODE: - DRAWING NO: C=1840858 RESTRICTED TO: - SCALE: NTS SHEET: 4 OF 4 REV: C