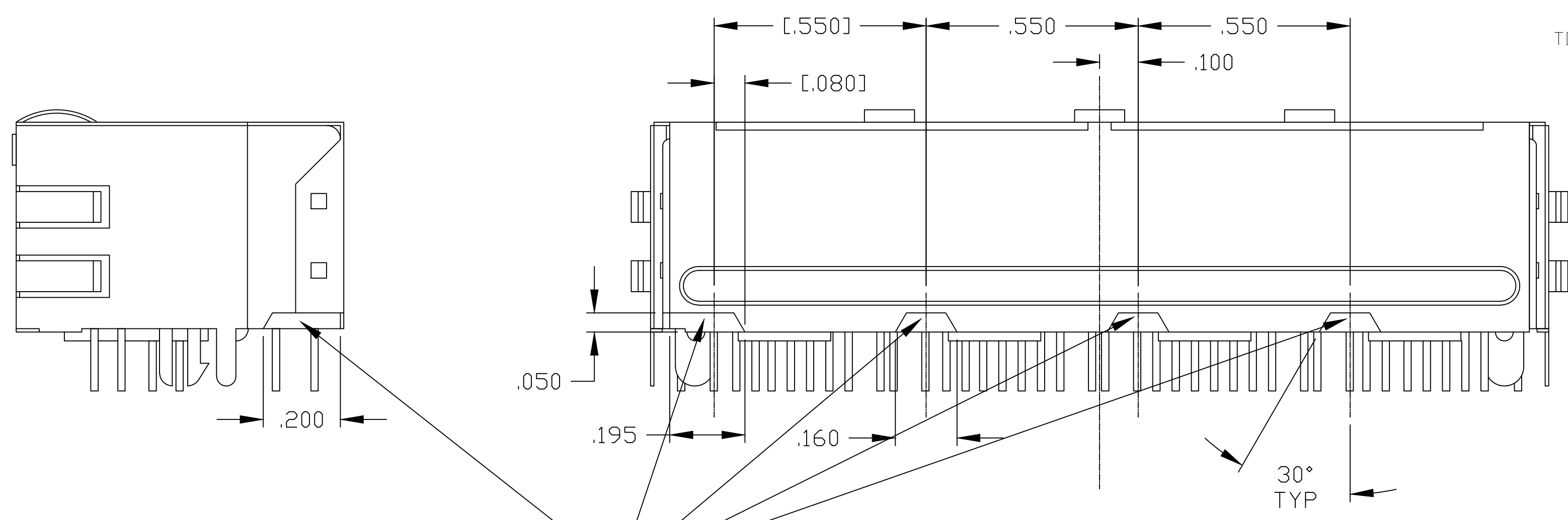
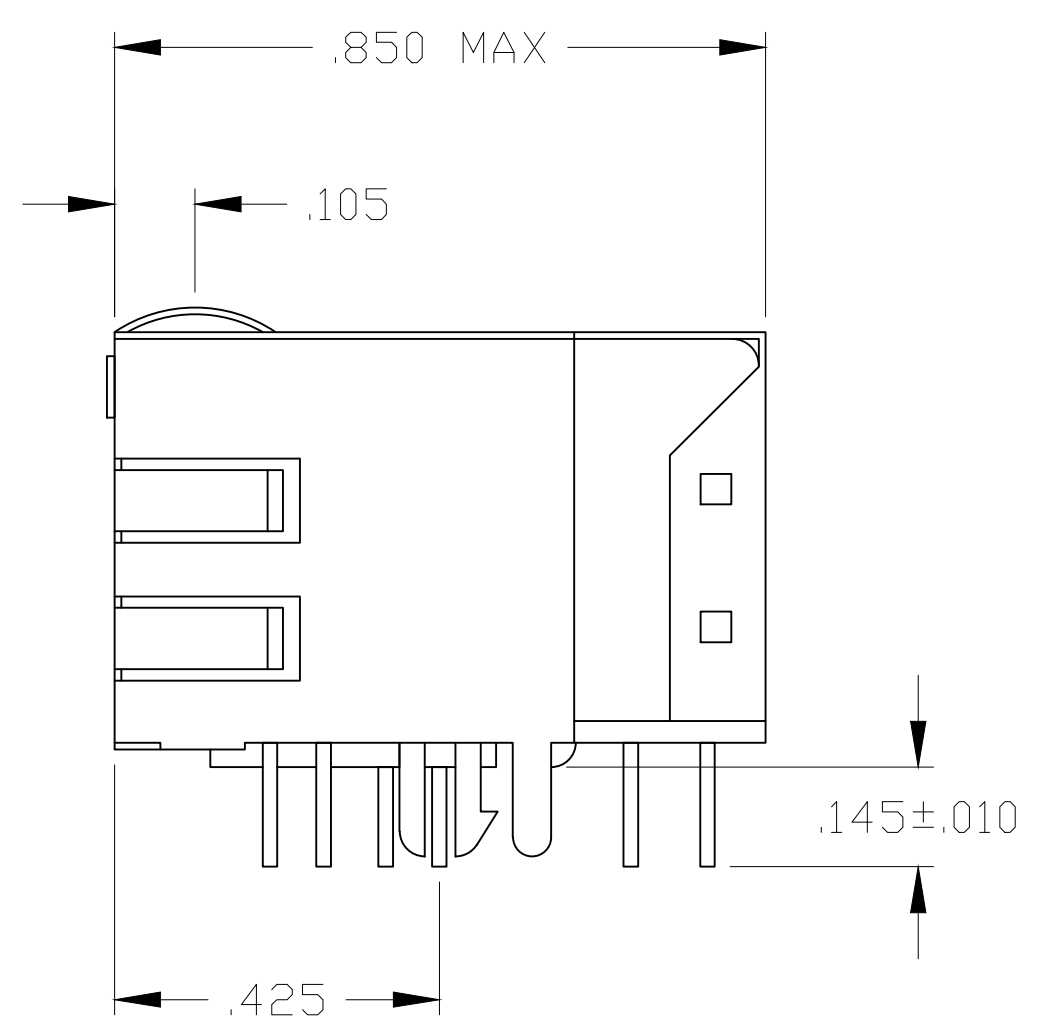
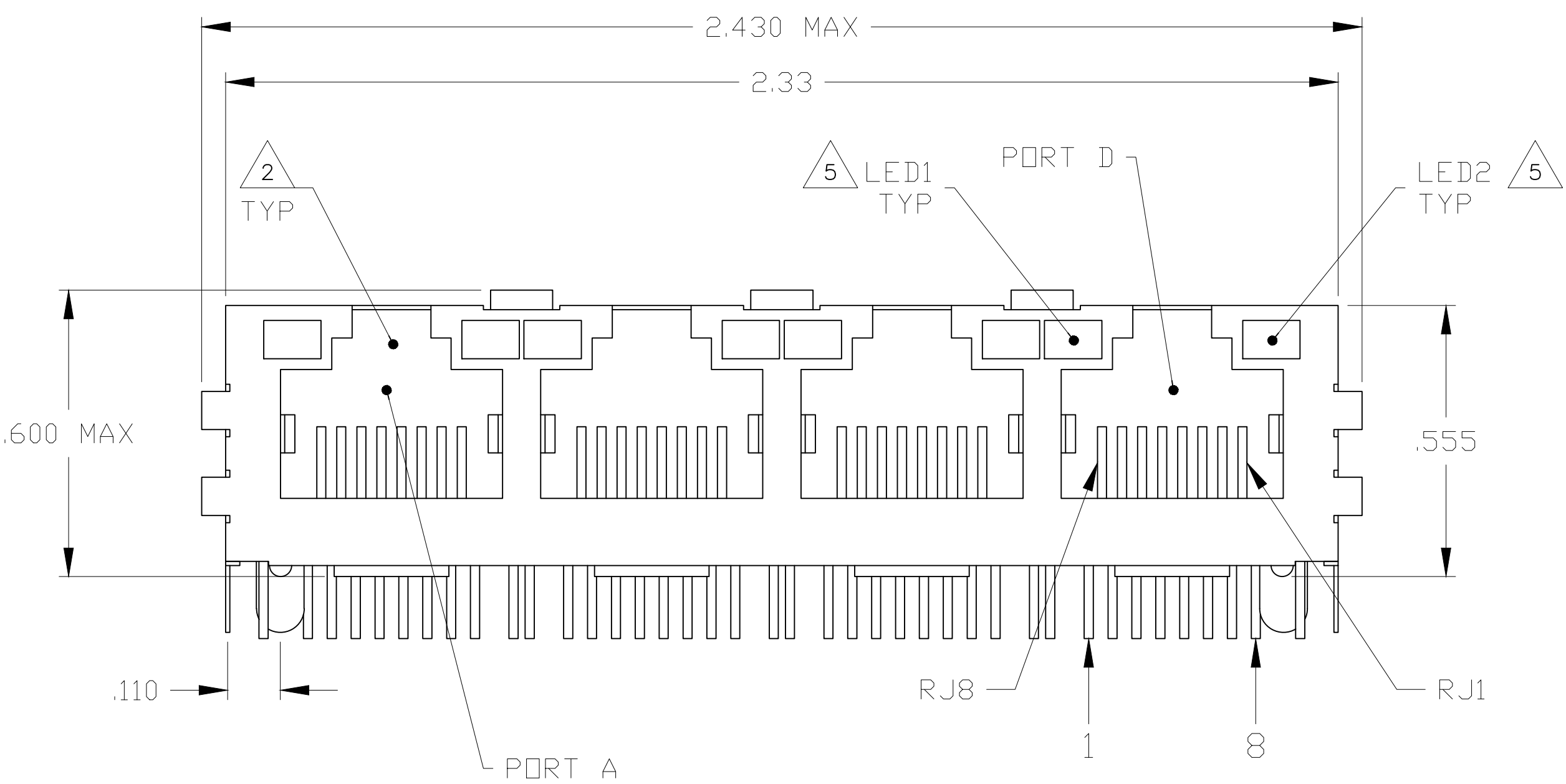
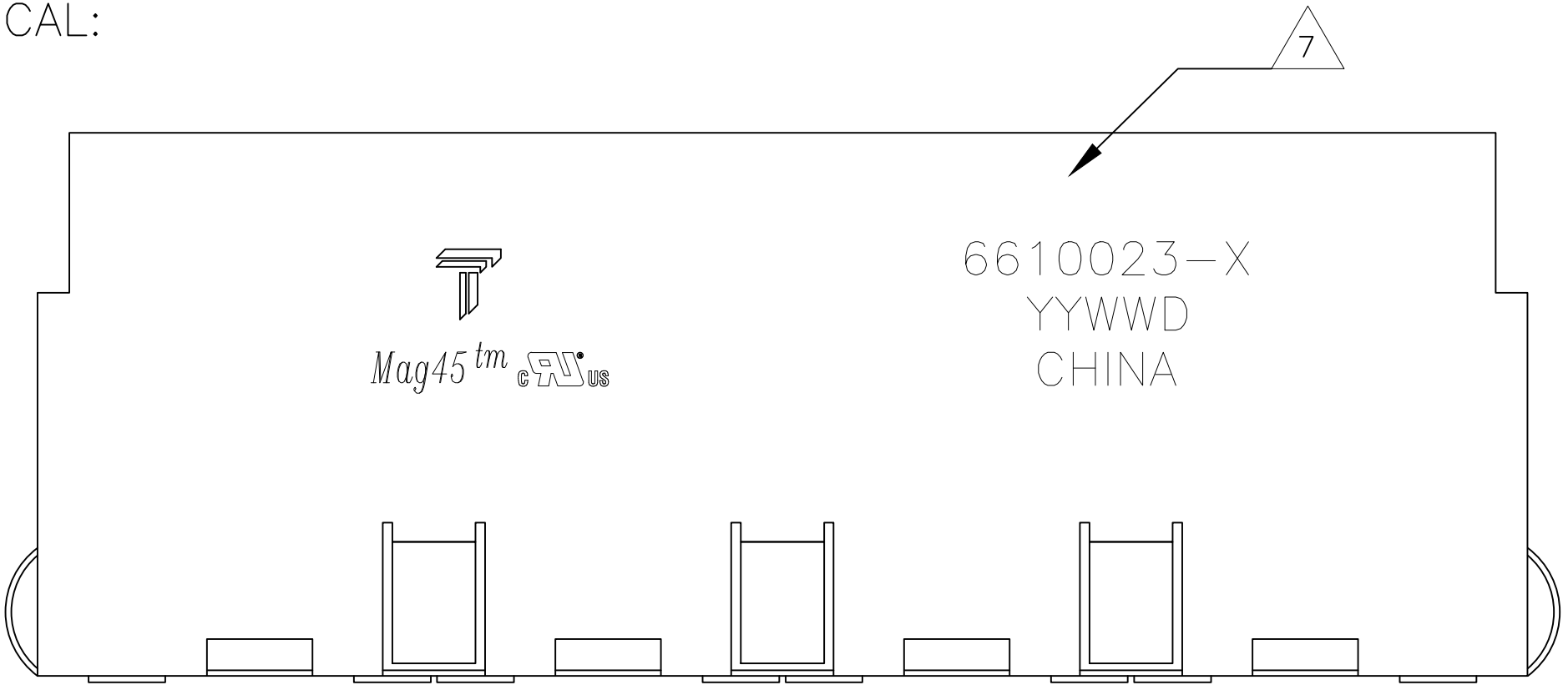
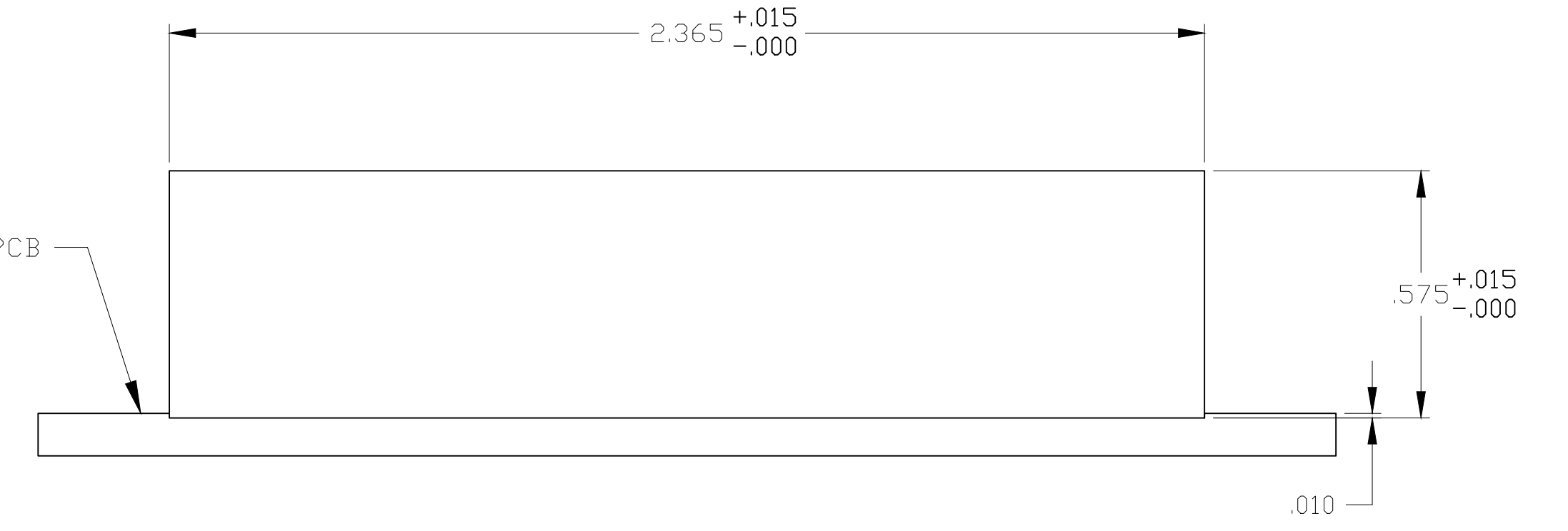


REVISIONS				
#	LTR	DESCRIPTION	DATE	OWN APD
E		LOGO CHANGE	07APR2013	QL KZ

MECHANICAL:



- 1 MATERIALS:
 -HOUSING - THERMOPLASTIC PET POLYESTER FLAMMABILITY RATING UL 94V-0.
 -SHIELD - 0.010" THICK, C26800 BRASS PREPLATED WITH 30μINCH MIN SEMI-BRIGHT NICKEL. SOLDER TABS POST DIPPED WITH 100μINCH MIN SAC SOLDER.
 -MOD JACK CONTACTS - 0.0157" X 0.018" PHOSPHOR BRONZE, 50μINCH MIN OVERALL NICKEL UNDERPLATE WITH SELECT 50μINCH MIN HARD GOLD FINISH PLATE. SOLDER TAILS WITH 100μINCH MIN MATTE TIN AND/OR SAC SOLDER DIP.
 -LIGHT EMITTING DIODE(LED) - DIFFUSED EPOXY LENS, 0.020" X 0.020" CARBON STEEL WIREFRAME LEADS PRE-PLATED WITH 80μINCH SILVER OVER 40μINCH NICKEL UNDERPLATE OVER 40μINCH COPPER UNDERPLATE. POST-PLATED WITH 100μINCH MIN MATTE TIN AND/OR SAC SOLDER DIP OR PURE TIN SOLDER DIP.
- 2 RJ45 JACK CAVITY CONFORMS TO FCC RULES AND REGULATIONS PART 68, SUB PART F.
- 3 MAGNETICS
 -IMPEDANCE: 100 OHMS
 -TURNS RATIO (CHIP:CABLE): TX = 1:1, RX = 1:1
 -OPEN CIRCUIT INDUCTANCE (OCL): 350μH MIN @100kHz, 0.1VRMS, 8mADC BIAS FROM -40°C TO +85°C, TX AND RX
 -PERFORMANCE @ 25°C:
 INSERTION LOSS (IL): 1.1dB MAX FROM 0.5MHz TO 100MHz
 RETURN LOSS (RL): 18dB MIN FROM 0.5MHz TO 30MHz
 18-20LOG(f/30)dB MIN FROM 30.1MHz TO 60MHz
 12dB MIN FROM 60.1MHz TO 80MHz
 CROSSTALK ATTENUATION: 35dB MIN FROM 0.5MHz TO 40MHz
 33-20*LOG(f/50)dB MIN FROM 40.1MHz TO 100MHz
 COMMON MODE REJECTION RATIO (CMRR): 30dB MIN FROM 0.5MHz TO 100MHz
 -ISOLATION VOLTAGE: 2250VDC (MAX) FOR 60 SECONDS WITH A RISE TIME OF 500V/SEC AND WITH ALL PORTS CONNECTED.
- 4. OPERATING TEMPERATURE: FROM -40°C TO +85°C.
- 5 THE LED WITH 250 OHM RESISTORS,LED IS DRIVEN WITH 5V VOLTAGE AND THE MAX OPERATING CURRENT IS 20mA.
 LED COLOR-DOMINANT WAVELENGTH(D):GREEN 568nm TYP. At VF=5V
 FORWARD CURRENT (IF): GREEN 12 mA TYP. AT VF=5V
 DOMINANT WAVELENGTH (D): YELLOW 588nm TYP. At VF=5V
 FORWARD CURRENT (IF): YELLOW 13 mA TYP. AT VF=5V
- 6 INDICATED CONNECTIONS ARE FOR NIC CONFIGURATION. THE MAGNETICS ARE SYMMETRICAL AND SUPPORT AUTO-MDI/MDIX.
- 7 TRP CONNECTOR LOGO, PART NUMBER, DATE CODE, COUNTRY OF ORIGIN AND AGENCY APPROVAL MARKING IN APPROXIMATE LOCATION SHOWN.
- 8. THESE PARTS ARE RECOMMENDED FOR WAVE SOLDERING PROCESS,PEAK WAVE SOLDERING TEMPERATURE IS 265°C MAX, 10 SECONDS MAX.



1X4 SUGGESTED PANEL CUTOUT

NO	YES	GREEN	YELLOW	5-6610023-1
NO	YES	GREEN	GREEN	6-6610023-1
YES	NO	GREEN	GREEN	1-6610023-1
YES	NO	GREEN	YELLOW	6610023-1
5 NOTCHES IN SHIELD	2KV DECOUPLING CAPACITOR	LED1	LED2	PART NUMBER

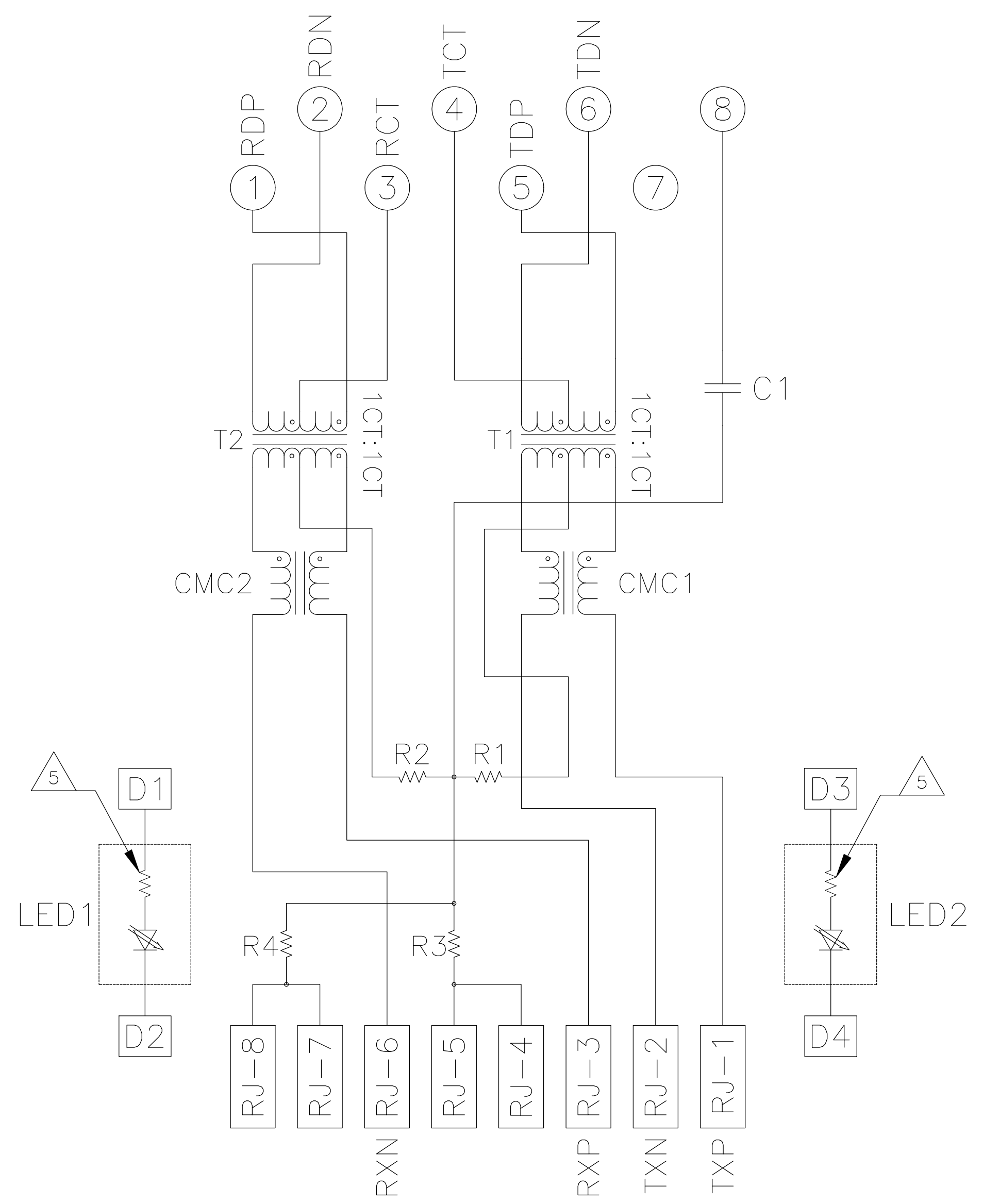
THIS DRAWING IS A CONTROLLED DOCUMENT.

DIMENSIONS: INCHES	TOLERANCES UNLESS OTHERWISE SPECIFIED:	0 PLC ± .	1 PLC ± .	2 PLC ± .010	3 PLC ± .005	4 PLC ± .	ANGLES ± .	FINISH
--------------------	--	-----------	-----------	--------------	--------------	-----------	------------	--------

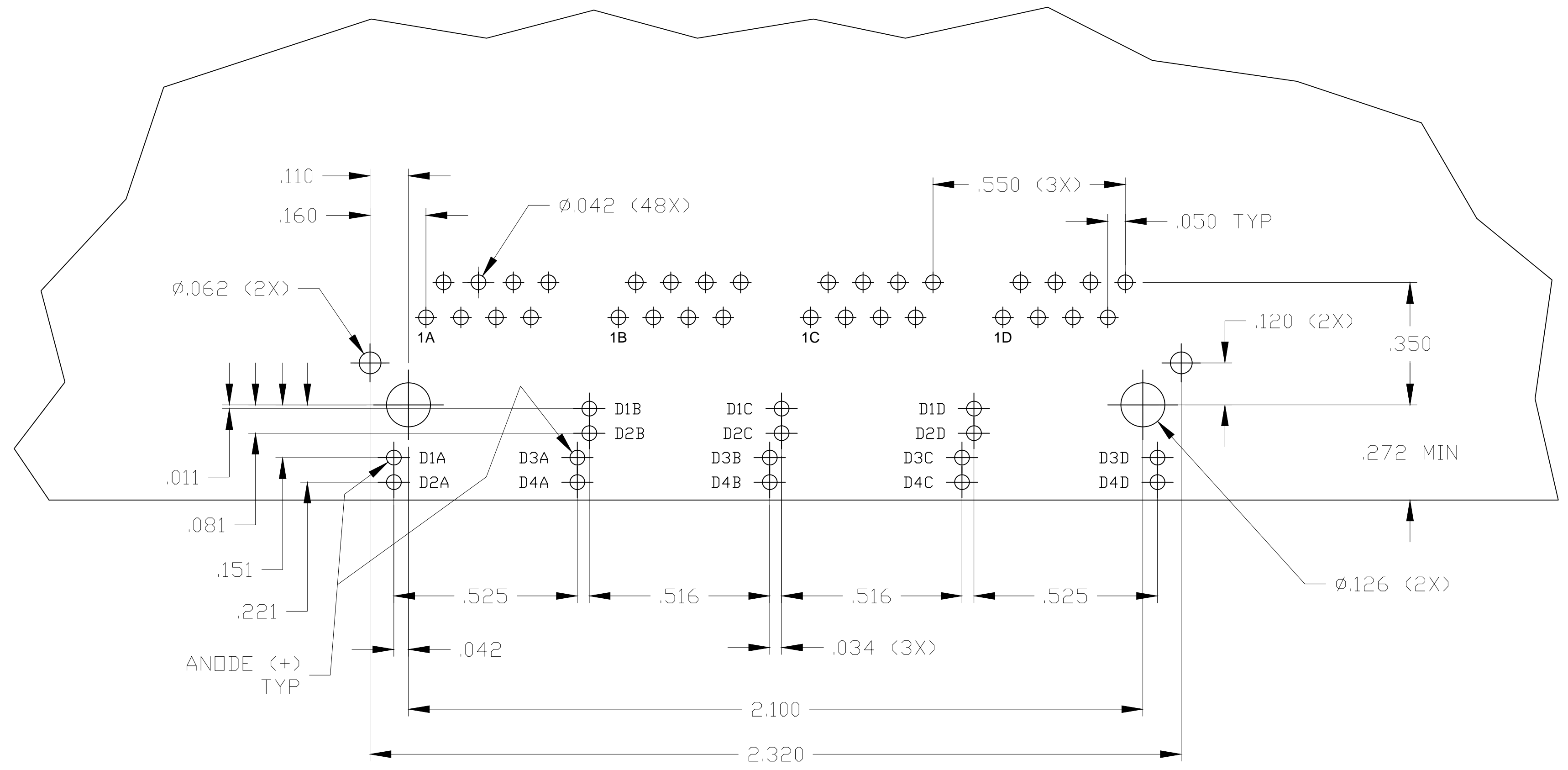
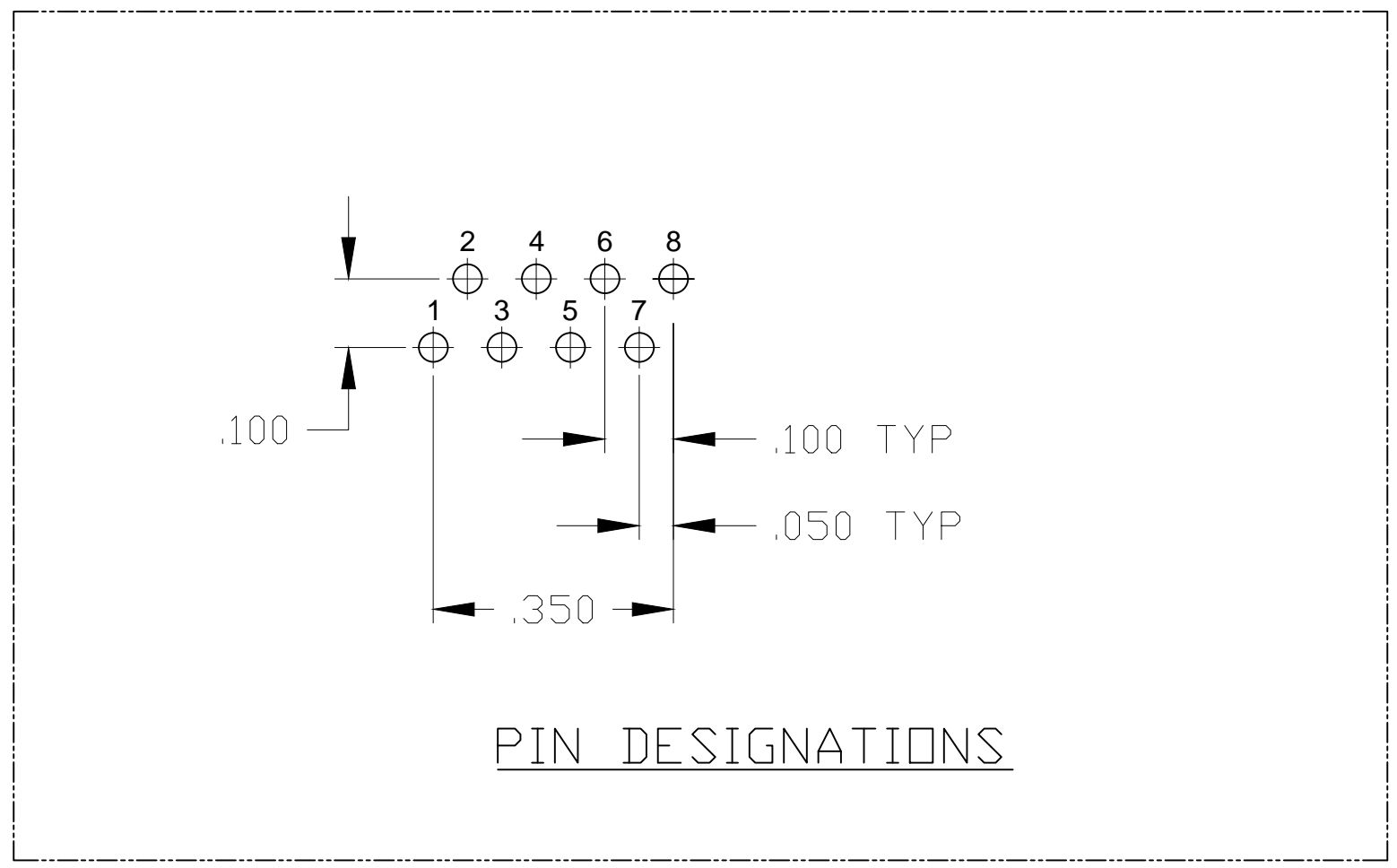
OWN: L. VARELA - DOCKS	CHK: D. FAROLE	APD: D. FAROLE
DATE: 15MAR2005	DATE: 15MAR2005	DATE: 15MAR2005
PRODUCT SPEC: 108-2100	APPLICATION SPEC: -	WEIGHT: -
NAME: 1X4 MAG45(TM) MODULAR JACK, 7N2ET INDUSTRIAL TEMP SCHEMATIC, 26 SERIES CIRCUIT, SHIELDED, WITH RESISTOR LEADS	SIZE: A1	CAGE CODE: 00779
DRAWING NO: C=6610023	SCALE: 4:1	SHEET: 1 OF 2
CUSTOMER DRAWING	REV: E	

NOTCHES IN THE REAR SIDE OF SHIELD ONLY PRESENT AT 6610023-1 & 1-6610023-1


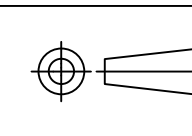
726ET SERIES MAGNETIC CIRCUIT 



R1-R4 = 75 OHMS, 1/16W RESISTORS
 C1 = 1000 pF, 2kV CAPACITOR



SUGGESTED PCB LAYOUT
 (Component Side)

THIS DRAWING IS A CONTROLLED DOCUMENT.		DWN L. VARELA - DOCKS CHK D. FAROLE APD D. FAROLE 15MAR2005 15MAR2005	 TRP connector Dongguan China
DIMENSIONS: INCHES:	TOLERANCES UNLESS OTHERWISE SPECIFIED: 0 PLC ± - 1 PLC ± .010 2 PLC ± .010 3 PLC ± .005 4 PLC ± - ANGLES ± -	PRODUCT SPEC 108-2100 APPLICATION SPEC	NAME 1X4 MAG45(TM) MODULAR JACK, 7N2ET INDUSTRIAL TEMP SCHEMATIC, 26 SERIES CIRCUIT, SHIELDED, WITH RESISTOR LEADS
		SIZE A1	CAGE CODE 00779
MATERIAL	FINISH	WEIGHT -	DRAWING NO ©=6610023
		CUSTOMER DRAWING	SCALE 4:1 SHEET 2 OF 2 REV E