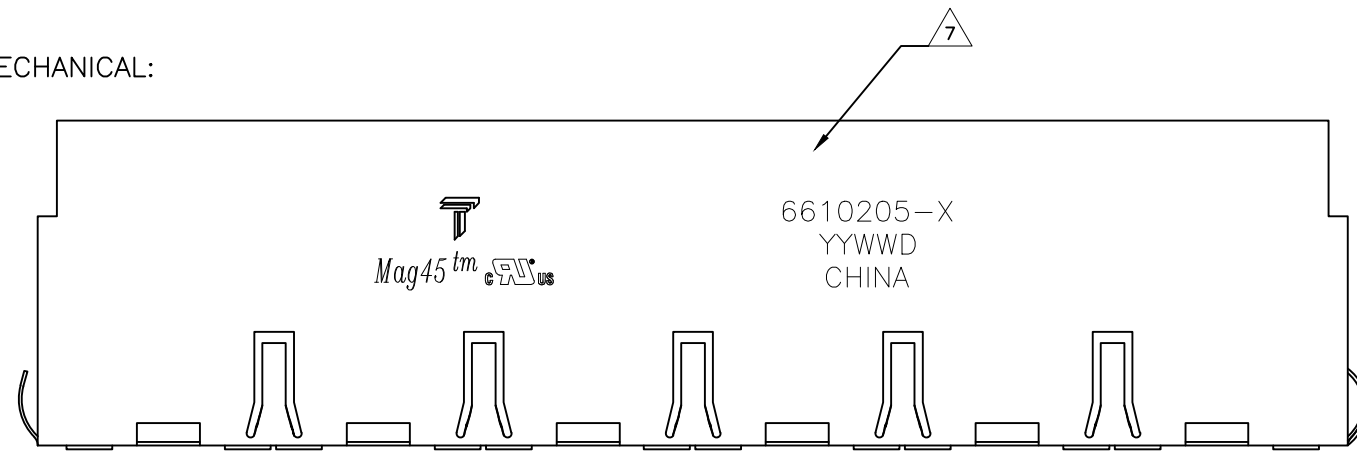
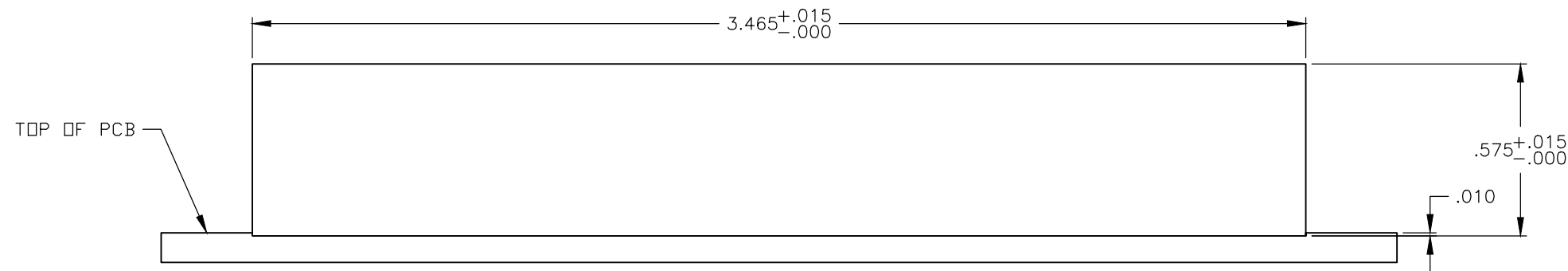
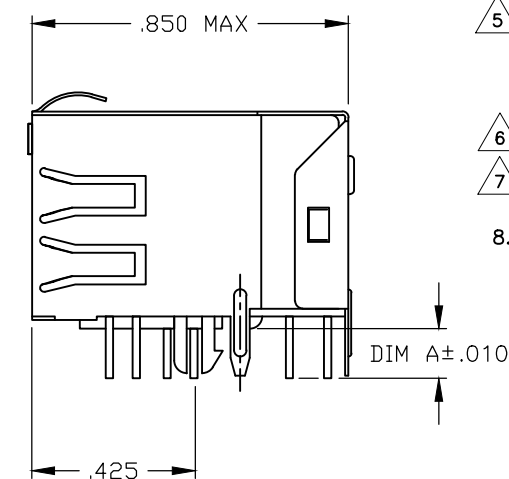
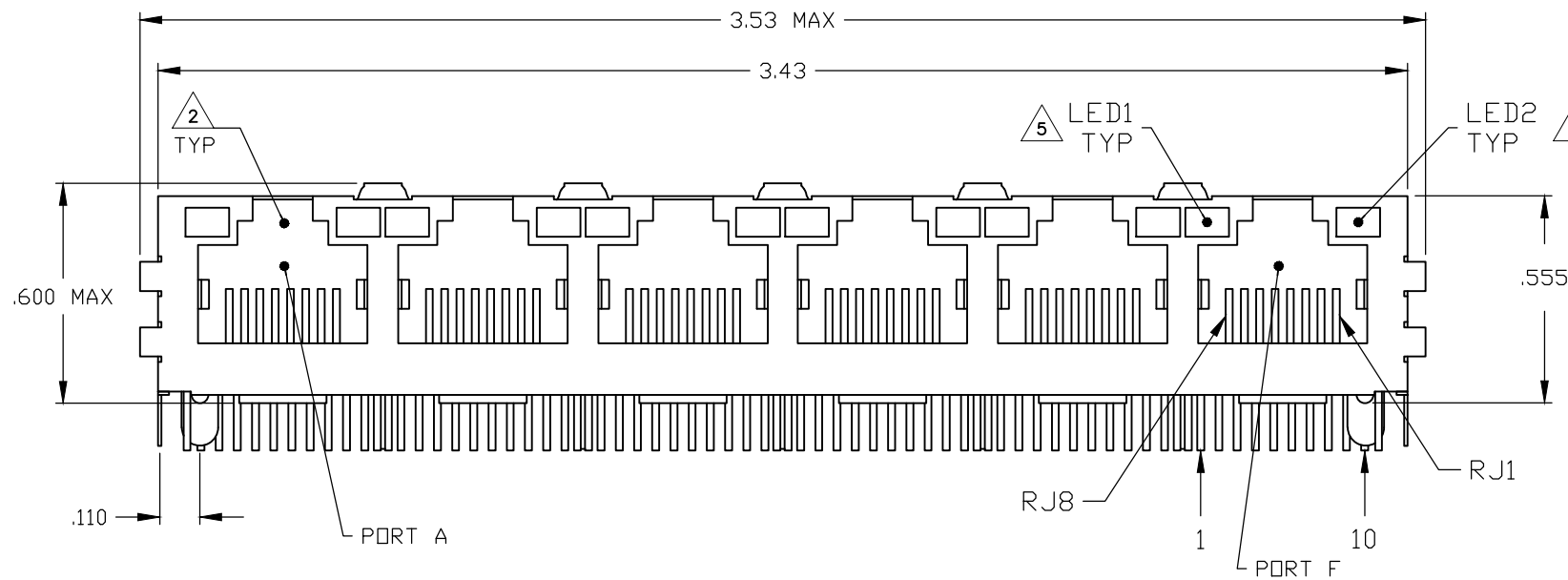


REVISIONS				
#	DATE	DESCRIPTION	BY	APP'D
H	07APR2013	LOGO CHANGE	QL	KZ

MECHANICAL:



- 1 MATERIALS:
 -HOUSING - THERMOPLASTIC PET POLYESTER FLAMMABILITY RATING UL 94V-0.
 -SHIELD - .008" THICK, C26800 BRASS PREPLATED WITH 30μINCH MIN SEMI-BRIGHT NICKEL. SOLDER TABS POST DIPPED WITH 100μINCH MIN SAC SOLDER.
 -MOD JACK CONTACTS - 0.0157 X 0.018" PHOSPHOR BRONZE, 50μINCH MIN OVERALL NICKEL UNDERPLATE WITH SELECT 50μINCH MIN HARD GOLD FINISH PLATE. SOLDER TAILS WITH 100μINCH MIN MATTE TIN AND/OR SAC SOLDER DIP.
 -LIGHT EMITTING DIODE(LED) - DIFFUSED EPOXY LENS, .020" X .020" CARBON STEEL WIREFRAME LEADS PRE-PLATED WITH 80μINCH SILVER OVER 4.0μINCH NICKEL UNDERPLATE OVER 4.0μINCH COPPER UNDERPLATE. POST-PLATED WITH 100μIN MIN MATTE TIN AND/OR SAC SOLDER DIP OR PURE TIN SOLDER DIP.
- 2 RJ45 JACK CAVITY CONFORMS TO FCC RULES AND REGULATIONS PART 68, SUB PART F.
- 3 MAGNETICS
 -APPLICATION: 10/100/1000 BASE-T
 -IMPEDANCE: 100 OHMS
 -TURNS RATIO (CHIP-CABLE): 1:1 ALL FOUR PAIRS
 -OPEN CIRCUIT INDUCTANCE (OCL): 350mH @100kHz, 0.1VRMS, 8mADC BIAS FROM 0°C TO 70°C, ALL FOUR PAIRS
 -ALL FOUR PAIRS BI-DIRECTIONAL
 -PERFORMANCE @ 25°C:
 INSERTION LOSS (IL): 1.1dB MAX FROM 0.5MHz TO 100MHz
 RETURN LOSS (RL): 18dB MIN FROM 0.5MHz TO 4.0MHz
 12-20LOG(f/80)dB MIN FROM 4.01MHz TO 100MHz
 CROSSTALK ATTENUATION: 35dB MIN FROM 0.5MHz TO 4.0MHz
 33-20xLOG(f/50)dB MIN FROM 4.01MHz TO 100MHz
 COMMON MODE REJECTION RATIO (CMRR): 30dB MIN FROM 0.5MHz TO 100MHz
 -ISOLATION VOLTAGE: 2250VDC (MAX) FOR 60 SECONDS WITH A RISE TIME OF 500V/SEC AND WITH ALL PORTS CONNECTED.
- 4. OPERATING TEMPERATURE: FROM 0°C TO +70°C.
- 5 LED IS DRIVEN WITH CONSTANT CURRENT AT APPROX 20mA.LED COLOR:
 DOMINANT WAVELENGTH(λD):GREEN 568nm TYP. @ IF=20mA
 FORWARD VOLTAGE (VF): GREEN 2.2V TYP. @ IF=20mA
 DOMINANT WAVELENGTH(λD):YELLOW 588nm TYP. @ IF=20mA
 FORWARD VOLTAGE (VF): YELLOW 2.1V TYP. @ IF=20mA.
- 6 INDICATED MAGNETIC CONNECTIONS ARE SYMMETRICAL TO SUPPORT AUTO-MDI/MDIX.
- 7 TRP CONNECTOR LOGO, PART NUMBER, DATE CODE, COUNTRY OF ORIGIN AND APPROVAL AGENCY MARKING IN APPROXIMATE LOCATION SHOWN.
- 8. THE PART IS RECOMMENDED FOR WAVE SOLDERING PROCESS , PREHEAT TEMPERATURE IS 120°C TO 160°C, 120 SECONDS TO 180 SECONDS, PEAK WAVE SOLDERING TEMPERATURE IS 260°C MAX,10 SECONDS MAX.



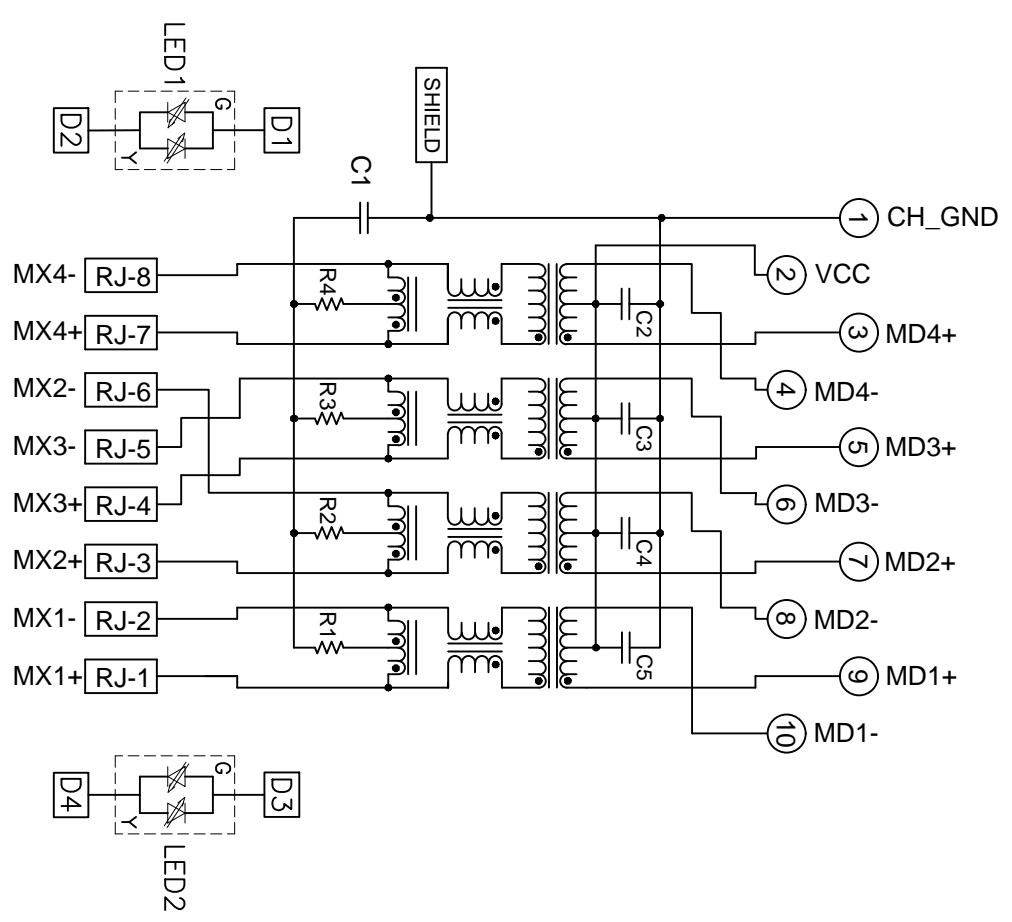
1X6 SUGGESTED PANEL CUTOUT

.100	GREEN	GREEN	1-6610205-7
.145	GREEN/YELLOW	GREEN/YELLOW	6610205-6
DIM A	LED1	LED2	PART NUMBER

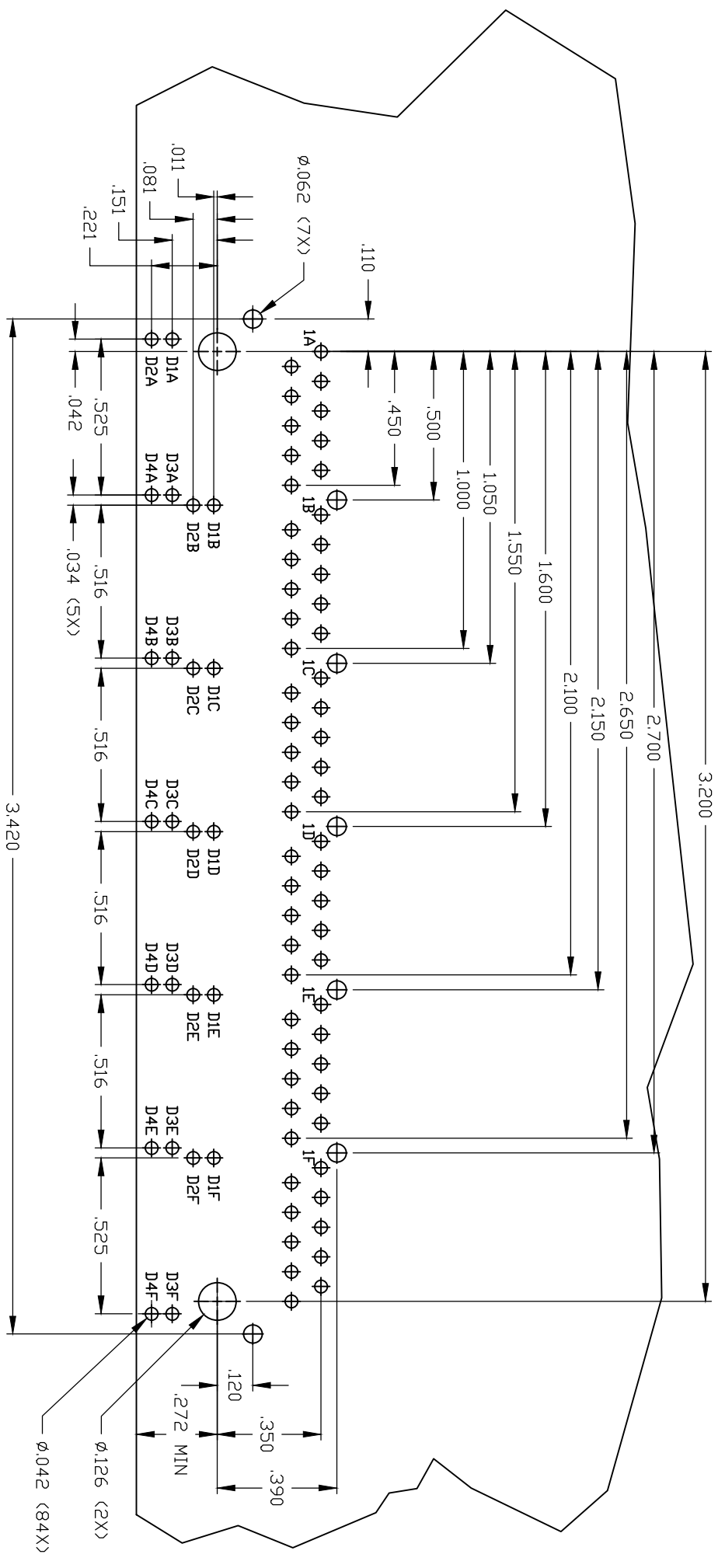
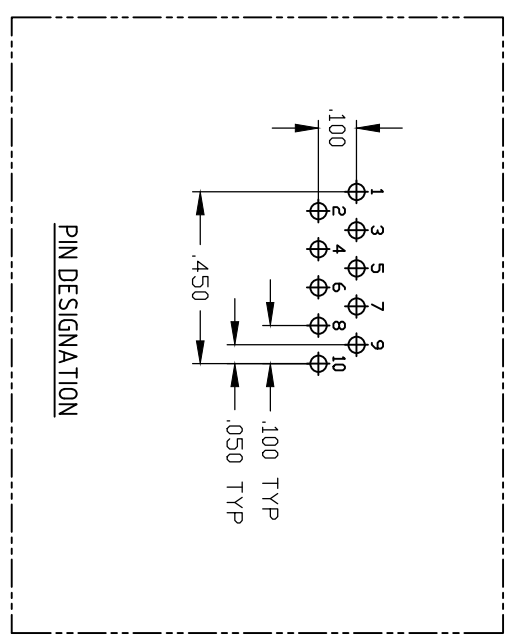
DIMENSIONS:		TOLERANCES UNLESS OTHERWISE SPECIFIED:	
INCHES			
0 PLC	± .		
1 PLC	± .		
2 PLC	± .010		
3 PLC	± .005		
4 PLC	± .		
ANGLES	± .		
MATERIAL		FINISH	

THIS DRAWING IS A CONTROLLED DOCUMENT.		DWN G. ATTADIA - DOCKS CHK D. FAROLE APP'D D. FAROLE	
DIMENSIONS: INCHES TOLERANCES UNLESS OTHERWISE SPECIFIED:		TRP connector Dongguan China	
0 PLC ± . 1 PLC ± . 2 PLC ± .010 3 PLC ± .005 4 PLC ± . ANGLES ± .		PRODUCT SPEC NAME 108-2100 7G23P5 GIGABIT CIRCUIT (10 PIN HORIZONTAL), SHIELDED WITH 7 GROUND PINS, WITH BI-COLOR LEDS	
MATERIAL		APPLICATION SPEC SIZE CASE CODE DRAWING NO RESTRICTED TO A100779C-6610205	
FINISH		WEIGHT CUSTOMER DRAWING SCALE 4:1 SHEET 1 OF 2 REV H	

7G23P5 GIGABIT CIRCUIT



R1-R4 = 75 OHMS, 1/16W RESISTORS
 C1 = 1000PF, 24V CAPACITOR
 C2-C5 = 0.1uF, 50V, X7R CAPACITORS



SUGGESTED PCB LAYOUT
 (Component Side)

THIS DRAWING IS A CONTROLLED DOCUMENT.		TRP connector Dongguan China	
DESIGNER: G. ATTALIA - DOCKS	DATE: 11/20/2010	PRODUCT SPEC: 108-2100	NAME: 1X6 MAG45(TM) MODULAR JACK, SHIELDED WITH 7 GROUND PINS, WITH BI-COLOR LEDS
DRAWN: D. FAROLE	REV: 1	APPLICATION SPEC:	SIZE: 2.000
CHECKED: G. ATTALIA	DATE: 11/20/2010	FINISH:	RESTRICTED TO:
APPROVED: G. ATTALIA	DATE: 11/20/2010	WEIGHT:	SIZE: 4:1
CUSTOMER DRAWING		A1100779 ©=6610205	