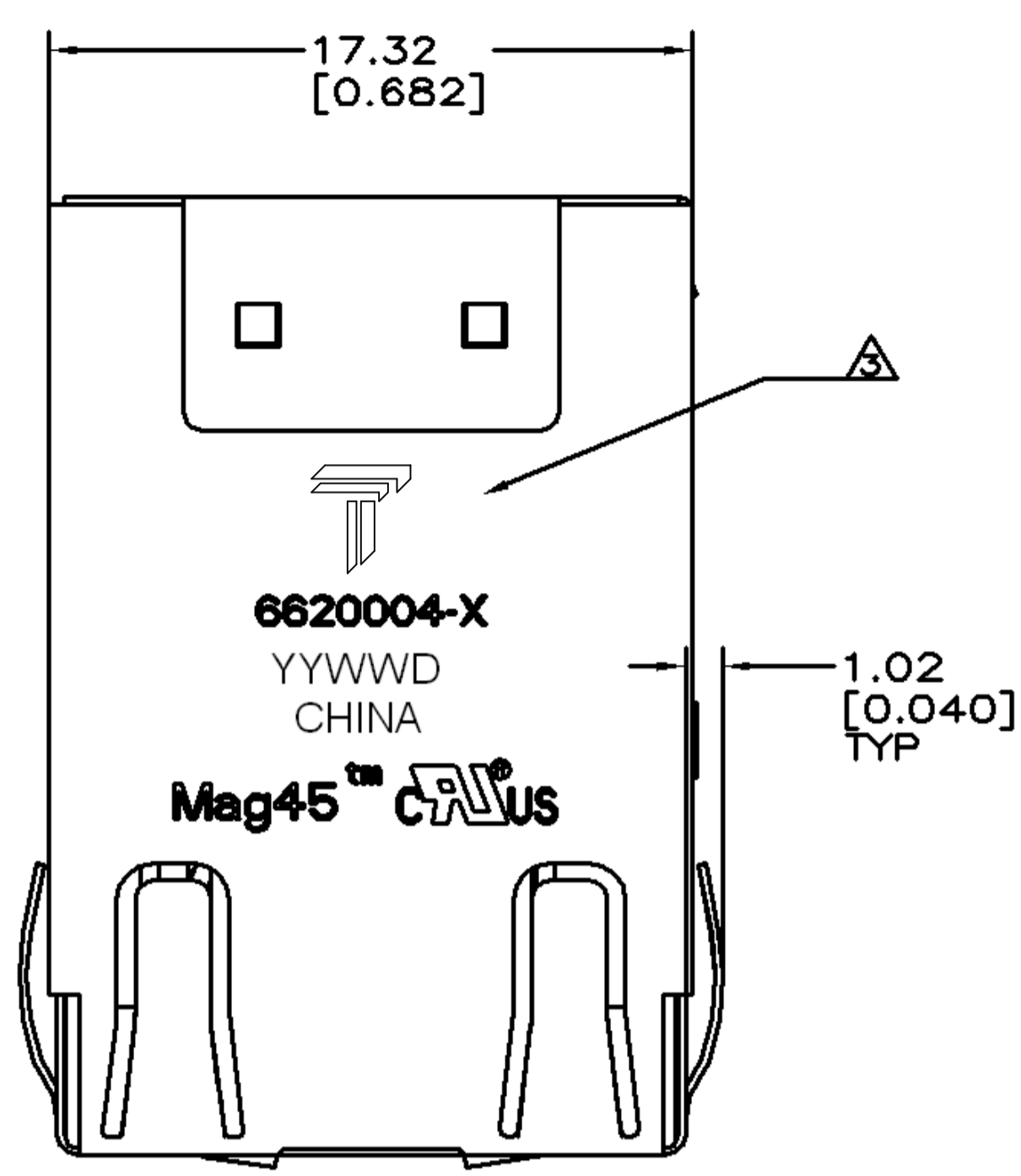


REVISIONS				
P	LTR	DESCRIPTION	DATE	DWN / APVD
F		LOGO CHANGE	07APR2013	QL / KZ



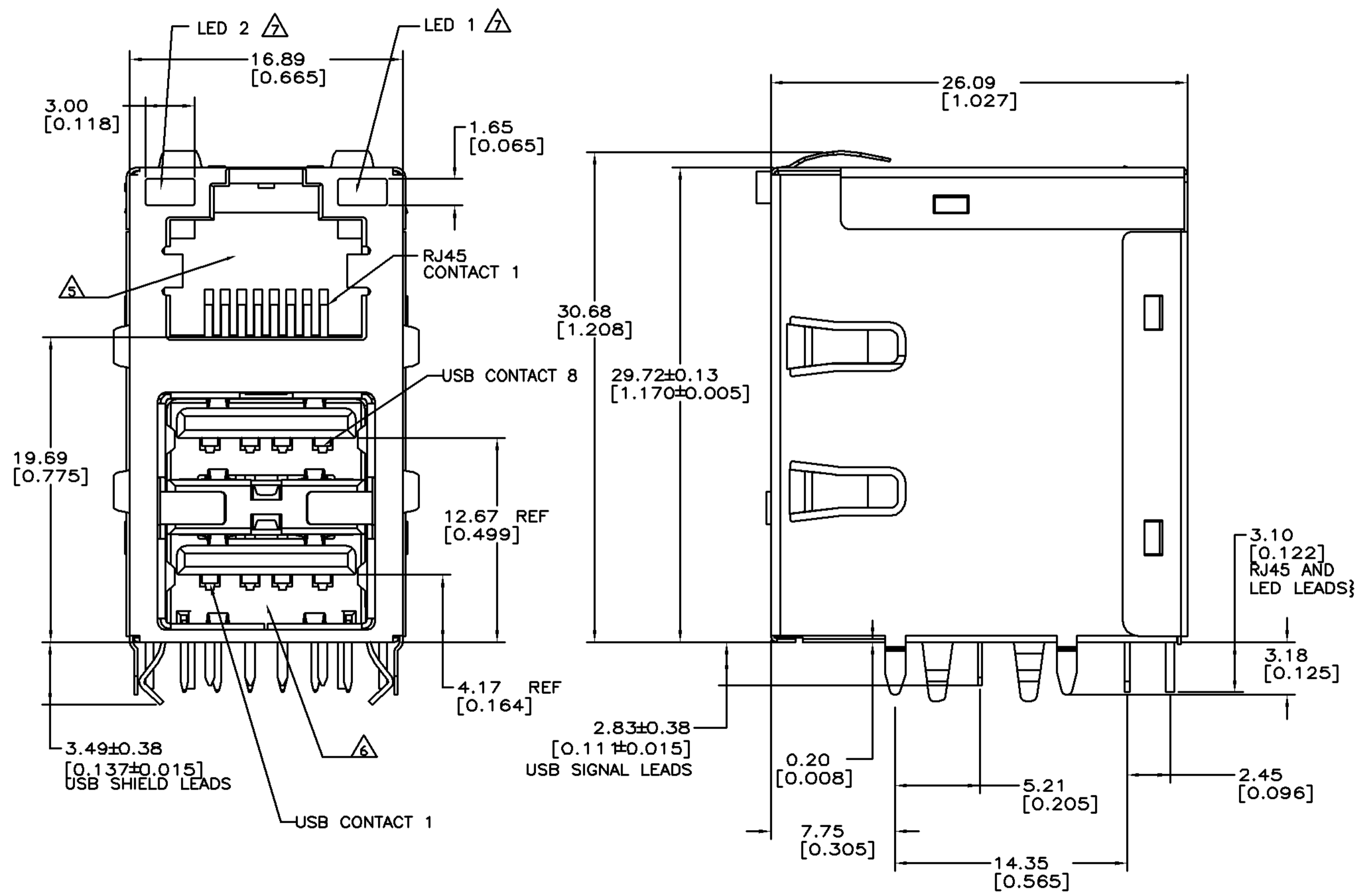
USB MATERIALS:
 SHELL: BRASS
 HOUSING: BLACK, THERMOPLASTIC, GLASS FILLED, UL 94V-0 RATED
 CONTACT: PHOSPHOR BRONZE WITH SELECTIVE GOLD PLATING, 0.76µm MIN IN CONTACT REGION.
 SPRING CLIP: COPPER ALLOY

RJ45 MATERIALS:
 PLASTIC HOUSING: BLACK, PET THERMOPLASTIC FLAMMABILITY RATING UL 94V-0
 SHIELD: BRASS, PLATED WITH 0.76µm SEMI-BRIGHT NICKEL, SELECTED TIN, 2.0-3.8µm ON SOLDER TAILS ONLY
 CONTACTS: PHOSPHOR BRONZE.
 PLATING: 1.27µm MIN NICKEL UNDERPLATE WITH SELECT 1.27µm MIN GOLD AT MATING INTERFACE AND 2.54µm MIN TIN ON CONTACT TAILS.

LIGHT PIPE: FLAME RETARDANT POLYCARBONATE.
LED: DIFFUSED EPOXY LENS, CARBON STEEL LEAD FRAME WITH TIN/SILVER/NICKEL/ COPPER PLATING.

MAGNETICS
 -APPLICATION: 10/100 BASE-T
 -IMPEDANCE: 100 OHMS
 -TURNS RATIO (CHIP:CABLE): TX = 1:1, RX = 1:1
 -OPEN CIRCUIT INDUCTANCE (OCL): 350uH MIN @100kHz, 0.1VRMS, 8mADC BIAS FROM 0°C TO 70°C, TX AND RX
 -PERFORMANCE @ 25°C:
 INSERTION LOSS (IL): 1.1dB MAX FROM 0.5MHz TO 100MHz
 RETURN LOSS (RL): 18dB MIN FROM 0.5MHz TO 30MHz
 18-20LOG(f/30)dB MIN FROM 30.1MHz TO 60MHz
 12dB MIN FROM 60.1MHz TO 80MHz
 CROSSTALK ATTENUATION: 35dB MIN FROM 0.5MHz TO 40MHz
 33-20LOG(f/50)dB MIN FROM 40.1MHz TO 100MHz
 COMMON MODE REJECTION RATIO (CMRR): 30dB MIN FROM 0.5MHz TO 100MHz
 -ISOLATION VOLTAGE: COMPLIES WITH IEEE802.3 2002, PARA 23.5.1.1, ITEM b.

- △ PRODUCT IDENTIFICATION TO BE MARKED IN APPROXIMATE LOCATION.
- △ DATUM LOCATION AND DIMENSION TO BE ESTABLISHED BY CUSTOMER.
- △ RJ45 CAVITY CONFORMS TO FCC RULES AND REGULATION PART 68 SUBPART F.
- △ MATING INTERFACE COMPIES WITH USB (UNIVERSAL SERIAL BUS) SPECIFICATION REV 2.0, UTILIZING TRP P/N 292323-1 WITH USB 2.0 CERTIFICATE TEST ID NO. 60000242.
- △ LED'S COMPLIANT WITH IEC60825-1 SAFETY OF LASER PRODUCTS. WHEN OPERATED AT CURRENT OF 20 MA.
- 8. OPERATING TEMPERATURE: -FROM 0 °C TO + 70 °C
- 9. THESE PARTS ARE RECOMMENDED FOR WAVE SOLDERING PROCESS, PEAK SOLDERING TEMPERATURE IS 260 °C MAX, 10 SECONDS MAX.
- △ OBSOLETE PARTS: OBSOLETE CIS STREAMLINING PER D.RENAUD/D.SINISI



OBsolete	GREEN	GREEN	1000 pF, 3kV	1-6620004-1
	GREEN/ORANGE	YELLOW	1000 pF, 3kV	6620004-2
	GREEN/ORANGE	YELLOW	1000 pF, 2kV	6620004-1
	LED 2	LED 1	DECOUPLING CAPACITOR	PART NUMBER

THIS DRAWING IS A CONTROLLED DOCUMENT.		DWN R.GRZYBOWSKI 24JUN2005	TRP connector
DIMENSIONS: MM		CHK P.DAMATO 24JUN2005	Dongguan China
TOLERANCES UNLESS OTHERWISE SPECIFIED:		APVD S.FLICKINGER 24JUN2005	
0 PLC ± -	1 PLC ± -	NAME 108-2100	RJ45 OVER DUAL USB W/INTEGRATED UR204P12 MAGNETICS, LED'S, INLINE
2 PLC ± 0.25	3 PLC ± 0.25	APPLICATION SPEC	6 PIN, 10/100 ETHERNET, PNL GND SHLD
4 PLC ± -	ANGLES ± -	SIZE A1	RESTRICTED TO
MATERIAL SEE NOTE1	FINISH SEE NOTE1	WEIGHT -	SCALE 1:1
CUSTOMER DRAWING		SCALE 1:1	SHEET 1 OF 2 REV F

