

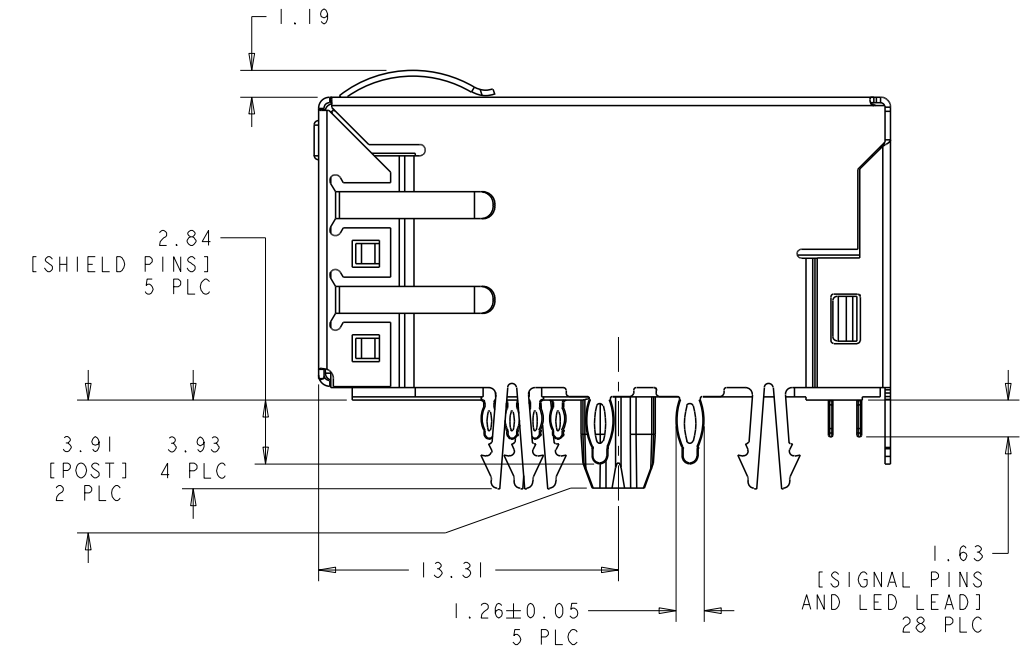
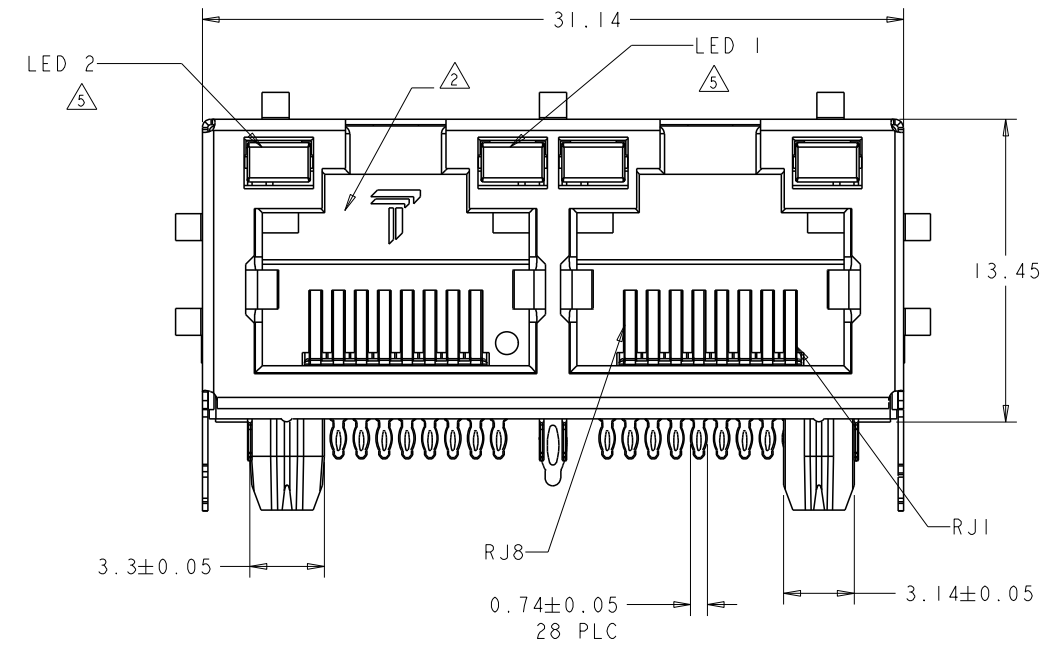
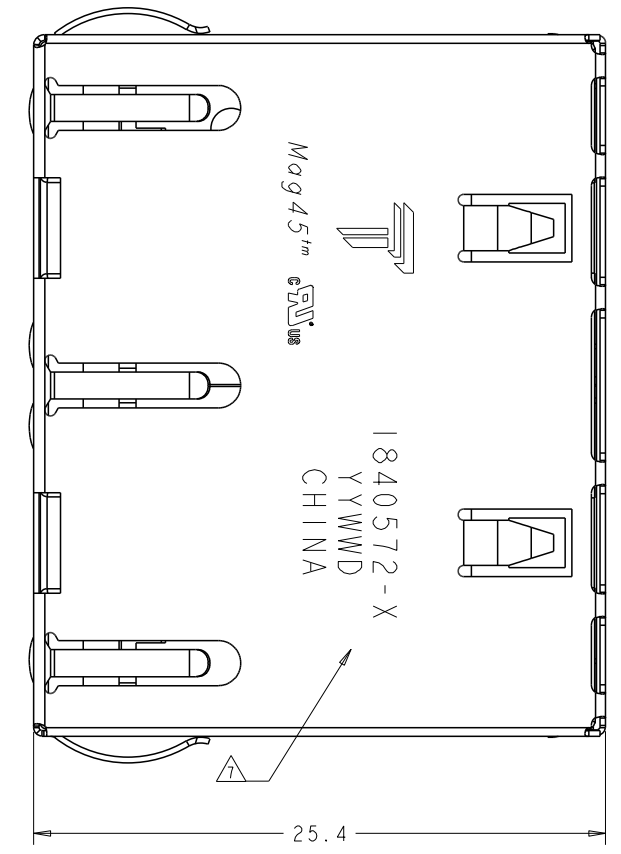
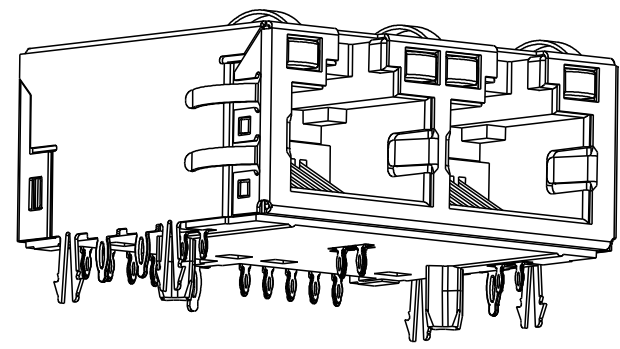
REVISIONS				
P	LYR	DESCRIPTION	DATE	APPD
D		LOGO CHANGE	25APR2013	TY KZ

- 1 MATERIALS:
- HOUSING: HIGH TEMPERATURE NYLON, BLACK, UL 94V-0
 - SHIELD: 0.25mm THICK, BRASS PREPLATED WITH 0.76 um MIN SEMI-BRIGHT NICKEL;
 - CONTACT TAILS: 0.20mm THICK, PHOSPHOR BRONZE, 1.27 um MIN OVERALL NICKEL UNDERPLATE, 3 um MIN TIN PLATE
 - MOD JACK CONTACTS: 0.25mm THICK, PHOSPHOR BRONZE, 1.27 um MIN OVERALL NICKEL UNDERPLATE, WITH 1.27 um MIN LOCALIZED GOLD PLATE AT PLUG INTERFACE
 - LIGHT EMITTING DIODE (LED): DIFFUSED EPOXY LENS, CARBON STEEL WIREFRAME PREPLATED WITH 2.03 um SILVER PLATE OVER 1.02 um NICKEL OVER 1.02 um COPPER UNDERPLATES; LEADS POST-PLATED WITH 3.05 um TIN.

- 2 RJ45 JACK CAVITY CONFORMS TO FCC RULES AND REGULATIONS PART 68, SUB-PART F.
- 3 MAGNETICS
- APPLICATION: 10/100/1000 BASE-T
 - IMPEDANCE: 100 Ω
 - TURNS RATIO (CHIP:CABLE): 1:1 ALL FOUR PAIRS
 - OPEN CIRCUIT INDUCTANCE (OCL): 350 uH MIN @100kHz, 0.1VRMS,8mADC BIAS FROM 0 °C TO 70 °C, ALL FOUR PAIRS
 - ALL FOUR PAIRS BI-DIRECTIONAL
 - PERFORMANCE @ 25 °C:
- INSERTION LOSS (IL):
1.1dB MAX FROM 0.5MHz TO 100MHz
- RETURN LOSS (RL):
18dB MIN FROM 0.5MHz TO 40MHz
12-20LOG(f/80)dB MIN FROM 40.1MHz TO 100MHz
- CROSSTALK ATTENUATION:
35dB MIN FROM 0.5MHz TO 40MHz
33-20LOG(f/50)dB MIN FROM 40.1MHz TO 100MHz
- COMMON MODE REJECTION RATIO (CMRR):
30dB MIN FROM 0.5MHz TO 100MHz
- ISOLATION VOLTAGE:
2250VDC (MAX) FOR 60 SECONDS WITH A RISE TIME OF 500V/SEC AND WITH ALL PORTS CONNECTED.

- 4 OPERATING TEMPERATURE:
FROM 0°C TO +70°C.
- 5 LEDS ARE DRIVEN WITH CONSTANT CURRENT AT APPROX 20 mA
- LED COLOR: DOMINANT WAVELENGTH (λD):
GREEN 568 nm TYP @ IF=20 mA
FORWARD VOLTAGE (VF):
GREEN 2.2V TYP @ IF=20 mA
DOMINANT WAVELENGTH (λD):
YELLOW 588 nm TYP @ IF=20 mA
FORWARD VOLTAGE (VF):
YELLOW 2.1V TYP @ IF=20 mA

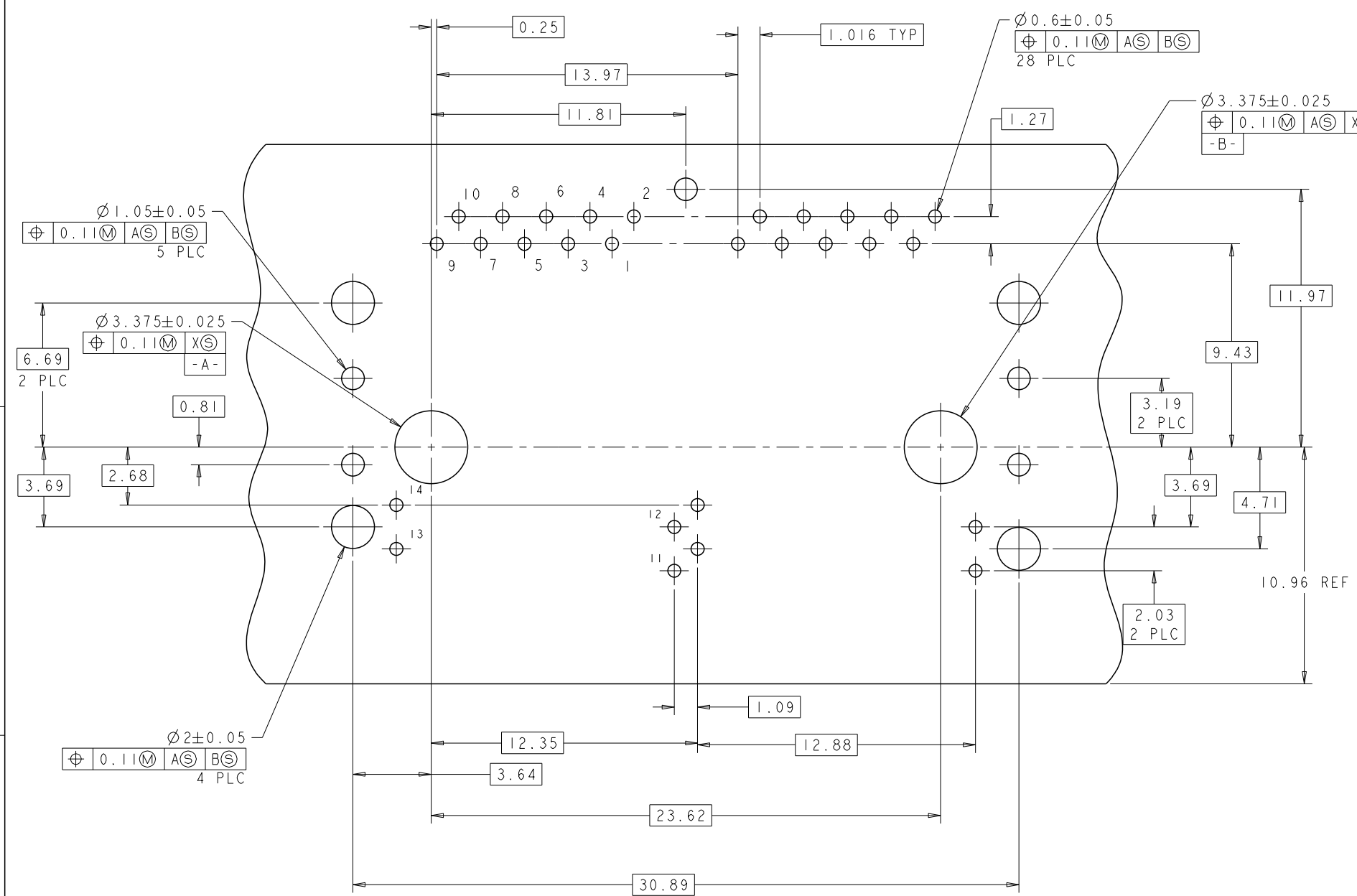
- 6 ALL DIMENSIONS ARE NOMINAL UNLESS OTHERWISE NOTED.
- 7 TRADEMARK, PART NUMBER, DATE CODE, COUNTRY OF ORIGIN, AND AGENCY APPROVAL MARKING IN APPROXIMATE LOCATION SHOWN
- 8 THESE PARTS ARE NOT DESIGNED FOR WAVE OR IR RELFOW SOLDERING APPLICATION



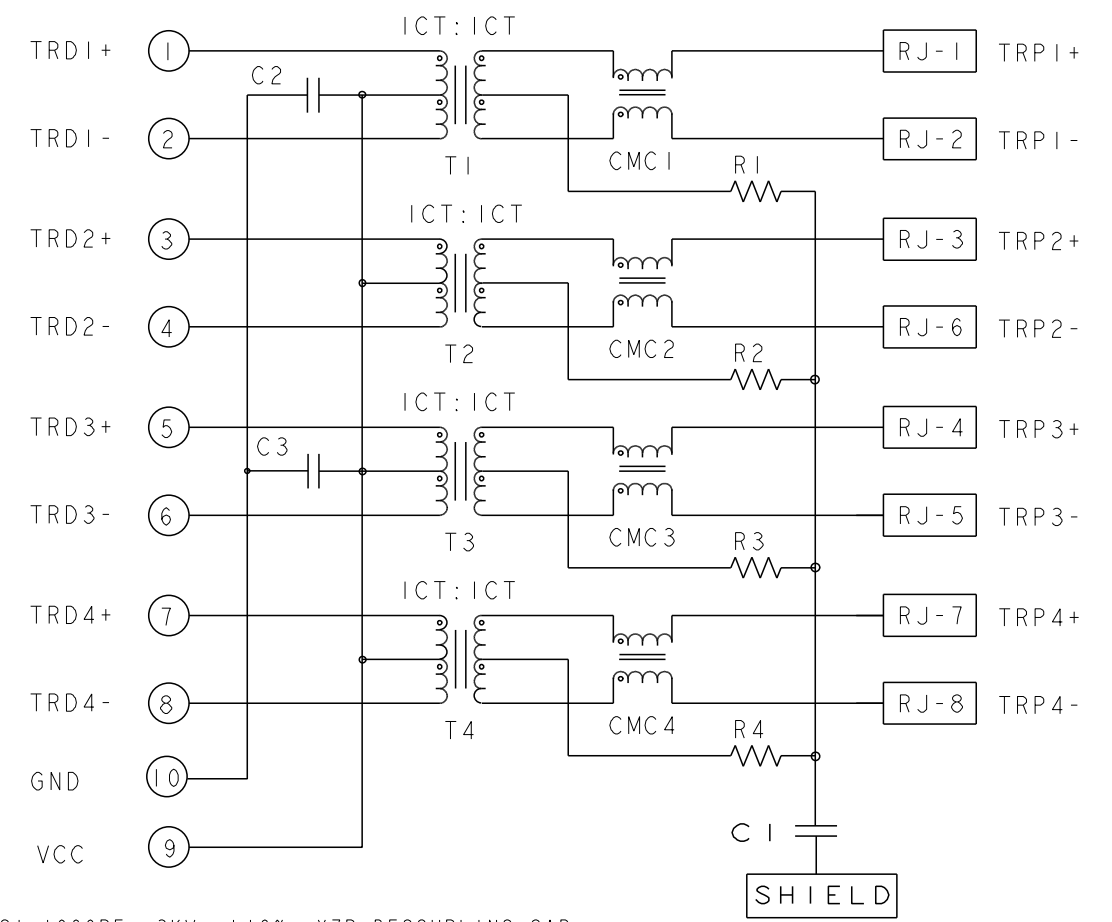
GREEN	GREEN	1840572-7
GREEN/YELLOW	GREEN/YELLOW	1840572-6
LED 2	LED 1	PART NO.

THIS DRAWING IS A CONTROLLED DOCUMENT.

DIMENSIONS: mm 	TOLERANCES UNLESS OTHERWISE SPECIFIED: 0 PLC ±0.25 1 PLC ±0.25 2 PLC ±0.25 3 PLC ±0.25 4 PLC ±0.25 ANGLES ±0.5 FINISH ±0.1	DWN: TOWER YU 05SEP2009 CDR: KEITH ZHU 05SEP2009 APVD: KEITH ZHU 05SEP2009 PRODUCT SPEC: 108-104013 APPLICATION SPEC: - WEIGHT: - CUSTOMER DRAWING	 TRP connector Dongguan China NAME: 1X2 MAG45(TM), JACK, 7G74P2 G1GABIT PRESS FIT, SHIELDED, LED, TAB UP SIZE: A1 CAGE CODE: C=1840572 SCALE: NTS SHEET 1 OF 3 REV D
-----------------------	---	--	--

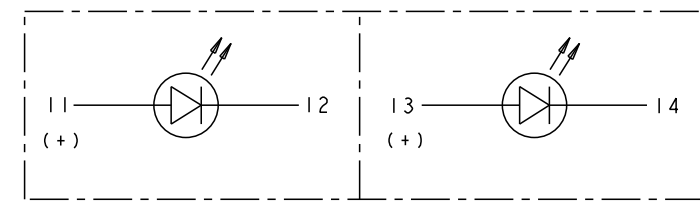


7G74P2 GIGABIT BASE-T CIRCUIT

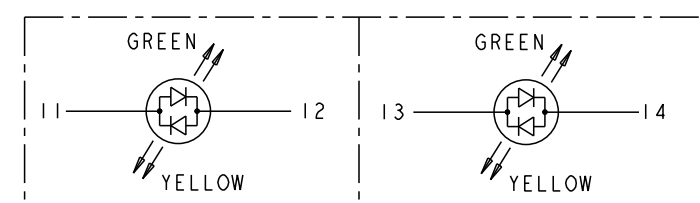


C1=1000PF, 3KV, ±10%, X7R DECOUPLING CAP
 C2 -C3 = 100 nf CAPACITOR
 R1-R4 = 75 OHMS, 1/16W, ±5% RESISTORS

SINGLE COLOR LED



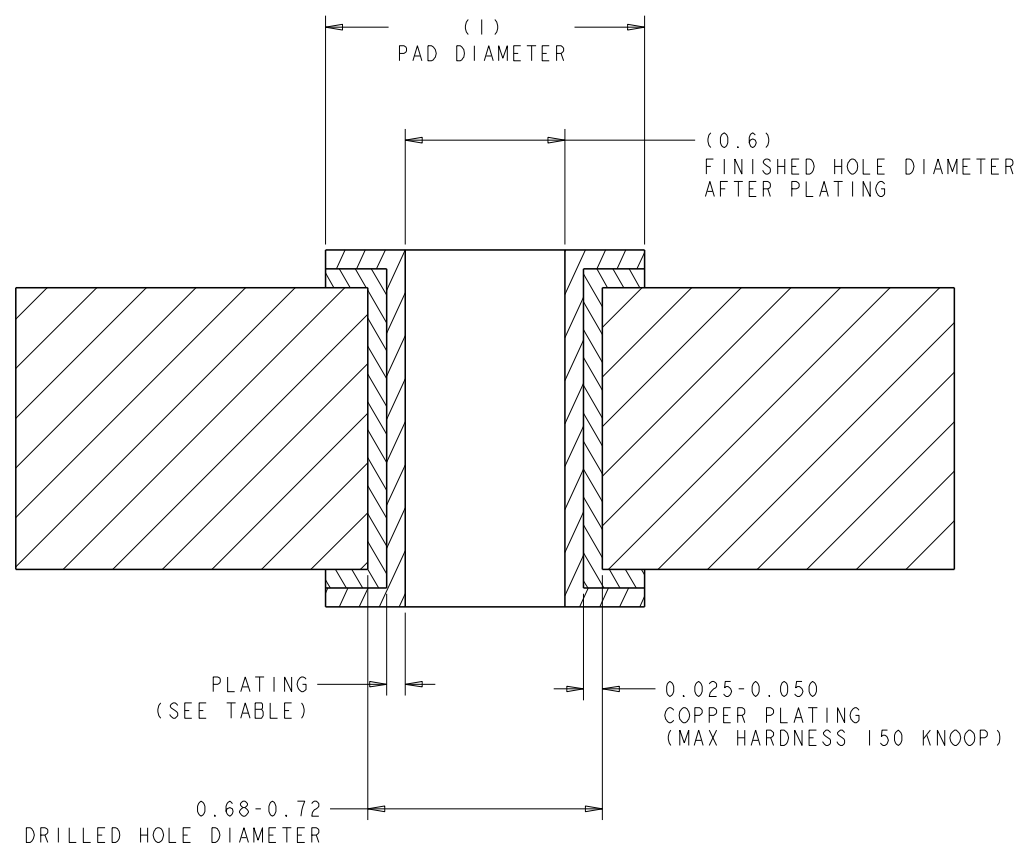
BI-COLOR LED



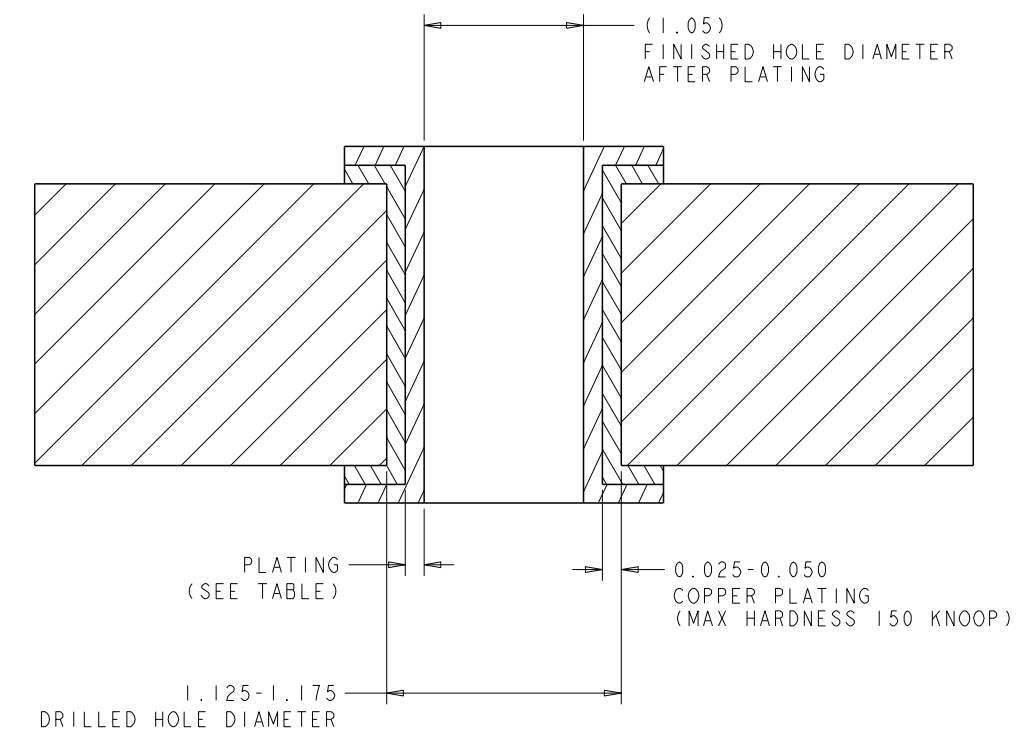
SUGGESTED PANEL OPENING

THIS DRAWING IS A CONTROLLED DOCUMENT.		OWN: TOWER YU	05SEP2009		TRP connector
DIMENSIONS: mm		CHK: KEITH ZHU	05SEP2009		Dongguan China
TOLERANCES UNLESS OTHERWISE SPECIFIED:		APVD: KEITH ZHU	05SEP2009		
0 PLC ± 1 PLC ±0.25 2 PLC ±0.25 3 PLC ± 4 PLC ± ANGLES ±	MATERIAL: FINISH:	PRODUCT SPEC: 108-104013 APPLICATION SPEC:	NAME: 1X2 MAG45(TM), JACK, 7G74P2 GIGABIT PRESS FIT, SHIELDED, LED, TAB UP SIZE: A1 CAGE CODE: C=1840572 DRAWING NO:	RESTRICTED TO:	SCALE: NTS SHEET: 2 OF 3 REV: D

REVISIONS				
P	LV	DESCRIPTION	DATE	APPD



RECOMMENDED HOLE DIMENSIONS FOR SIGNAL CONTACTS



RECOMMENDED HOLE DIMENSIONS FOR SHIELD CONTACTS

THICKNESS	PLATING
0.004-0.010	HOT AIR SOLDER LEVELING (HASL) TIN-LEAD (Sn Pb)
0.0005-0.001	IMMERSION TIN (Sn)
0.0002-0.0005	ORGANIC SOLDERABILITY PRESERVATIVE (OSP)
0.0001-0.0005 Au, 0.004-0.0076 Ni	IMMERSION GOLD (Au) OVER NICKEL (Ni) (ENIG)
0.010-0.025	TIN LEAD PLATING (Sn Pb)
0.0001-0.00015	IMMERSION SILVER (Ag)

THIS DRAWING IS A CONTROLLED DOCUMENT.

DIMENSIONS: mm	TOLERANCES UNLESS OTHERWISE SPECIFIED: 0 PLC ± 1 PLC ±0.25 2 PLC ±0.25 3 PLC ± 4 PLC ± ANGLES ±	FINISH	WEIGHT	SCALE	NTS	SHEET 3 OF 3	REV D
-------------------	---	--------	--------	-------	-----	--------------	-------

OWN: TOWER YU 05SEP2009	CHK: KEITH ZHU 05SEP2009	APVD: KEITH ZHU 05SEP2009	PRODUCT SPEC: 108-104013	APPLICATION SPEC:
NAME: 1X2 MAG45(TM), JACK, 7G74P2 G1GABIT PRESS FIT, SHIELDED, LED, TAB UP			SIZE: A1	CAGE CODE: C=1840572
CUSTOMER DRAWING			RESTRICTED TO:	

TRP connector
Dongguan China