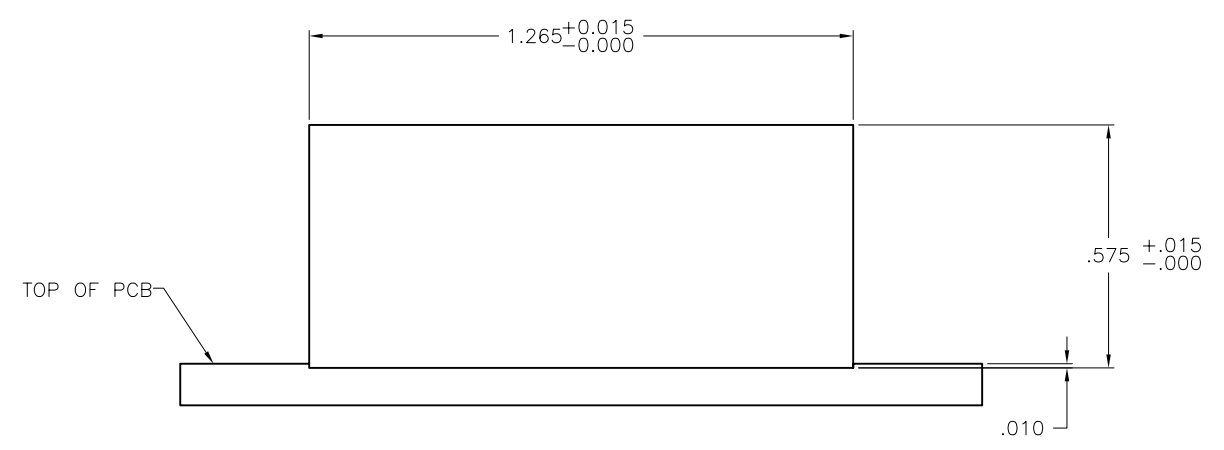
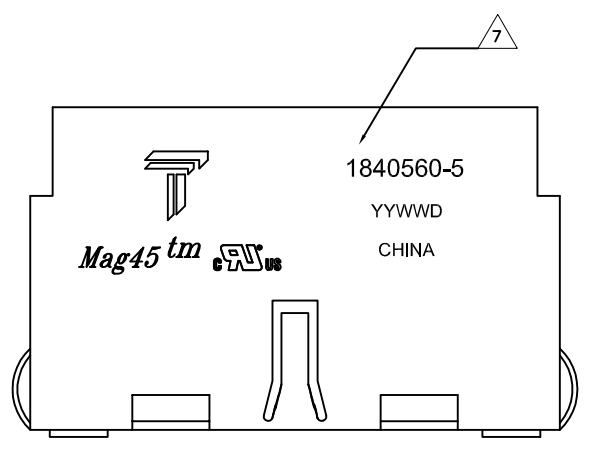
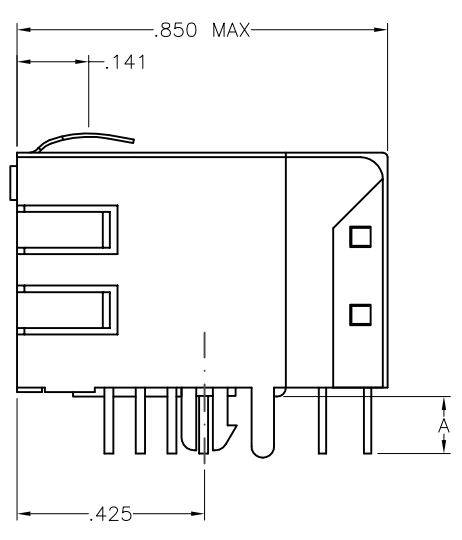
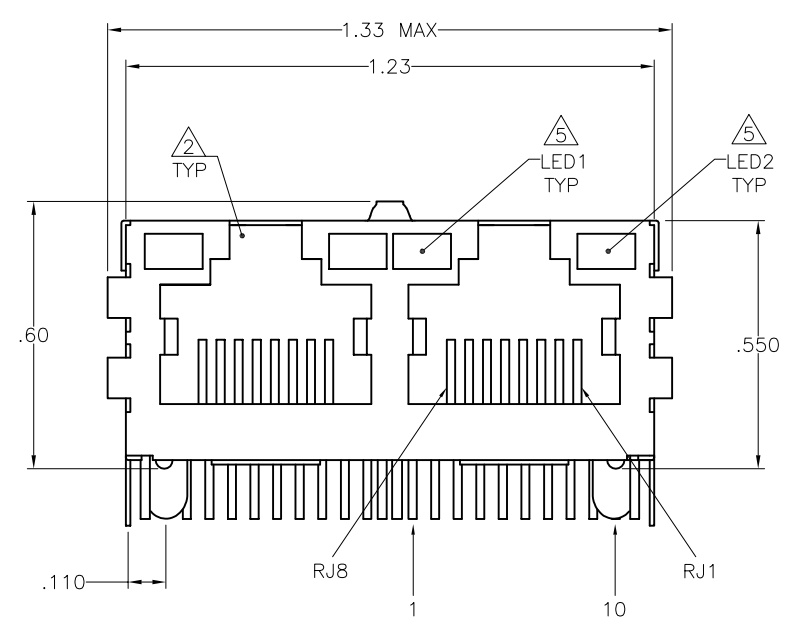


REVISIONS					
#	LN	DESCRIPTION	DATE	BY	APPD
C		LOGO CHANGE	23APR2013	JC	KZ

MECHANICAL:



1X2 SUGGESTED PANEL CUTOUT



- △ MATERIALS:
 HOUSING - THERMOPLASTIC PET POLYESTER FLAMMABILITY RATING UL 94V-0.
 SHIELD - .010" THICK, C26800 BRASS PREPLATED WITH 30μinch MIN SEMI-BRIGHT NICKEL; SOLDER TAB POSTS DIPPED WITH 100μinch MIN SAC SOLDER.
 MOD JACK CONTACTS - .0157" x .018", PHOSPHOR BRONZE, 50μinch MIN OVERALL NICKEL UNDERPLATE, WITH SELECT 50μinch MIN HARD GOLD FINISH PLATE. SOLDER TAILS WITH 100μinch MIN MATTE TIN AND/OR SAC SOLDER DIP.
 LIGHT EMITTING DIODE(LED) - DIFFUSED EPOXY LENS, .020" x .020" CARBON STEEL WIREFRAME LEADS PREPLATED WITH 80μinch SILVER OVER 40μinch NICKEL UNDERPLATE OVER 40μinch COPPER UNDERPLATE; POST-PLATED WITH 100μinch MIN MATTE TIN AND/OR SAC SOLDER DIP OR PURE TIN SOLDER DIP.
- △ RJ45 JACK CAVITY CONFORMS TO FCC RULES AND REGULATIONS PART 68, SUB PART F.
- △ MAGNETICS
 -APPLICATION: 10/100/1000 BASE-T, EXTENDED TEMPERATURE
 -IMPEDANCE: 100 OHMS
 -TURNS RATIO (CHIP: CABLE): 1:1 ALL FOUR PAIRS
 -OPEN CIRCUIT INDUCTANCE (OCL): 350uH MIN @100kHz, 0.1VRMS, 8mADC BIAS FROM -40°C TO +85°C, ALL FOUR PAIRS
 -ALL FOUR PAIRS BI-DIRECTIONAL
 -PERFORMANCE @ 25°C:
 INSERTION LOSS (IL): 1.1dB MAX FROM 0.5MHz TO 100MHz
 RETURN LOSS (RL): 18dB MIN FROM 0.5MHz TO 40MHz
 12-20LOG(f/80)dB MIN FROM 40.1MHz TO 100MHz
 CROSSTALK ATTENUATION: 35dB MIN FROM 0.5MHz TO 40MHz
 33-20LOG(f/50)dB MIN FROM 40.1MHz TO 100MHz
 COMMON MODE REJECTION RATIO (CMRR): 30dB MIN FROM 0.5MHz TO 100MHz
 -ISOLATION VOLTAGE: 2250 VDC FOR 60 SECONDS DURATION.
- △ ALL DIMENSIONS NOMINAL UNLESS OTHERWISE NOTED.
- △ LEDs ARE DRIVEN WITH CONSTANT CURRENT AT APPROX 20 mA
 LED COLOR: DOMINANT WAVELENGTH (AD): GREEN 568 nm TYP @ IF=20 mA
 FORWARD VOLTAGE (VF): GREEN 2.2V TYP @ IF=20 mA
 DOMINANT WAVELENGTH (AD): YELLOW 588 nm TYP @ IF=20 mA
 FORWARD VOLTAGE (VF): YELLOW 2.1V TYP @ IF=20 mA
- △ INDICATED MAGNETIC CONNECTIONS ARE SYMMETRICAL TO ACCOMODATE CONNECTIONS FOR EITHER NIC OR HUB CONFIGURATION, OR SUPPORT AUTO-MDI/MDIX.
- △ TRP CONNECTOR LOGO, PART NUMBER, DATE CODE, COUNTRY OF ORIGIN AND AGENCY APPROVAL MARKING IN APPROXIMATE LOCATION SHOWN.
- 8. OPERATING TEMPERATURE: FROM -40°C TO +85°C.
- 9. THE PART IS RECOMMENDED FOR WAVE SOLDERING PROCESS, PREHEAT TEMPERATURE IS 120° C TO 160° C, 120 SECONDS TO 180 SECONDS, PEAK WAVE SOLDERING TEMPERATURE IS 260° C MAX, 10 SECONDS MAX.

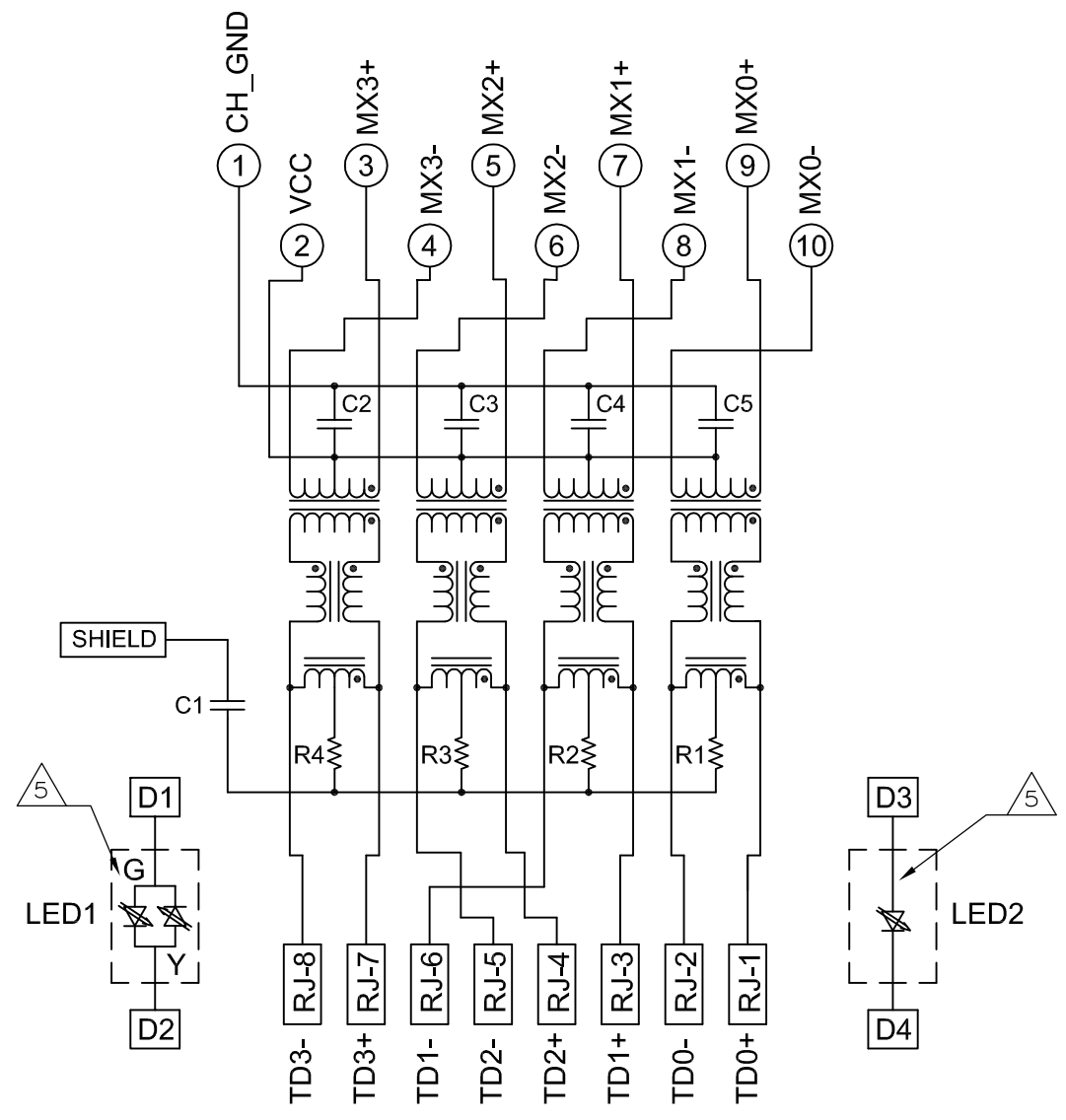
.110±.010	GREEN/YELLOW	GREEN	1-1840560-5
.145±.010	GREEN/YELLOW	GREEN	1840560-5
DIM A	LED1	LED2	PART NUMBER

THIS DRAWING IS A CONTROLLED DOCUMENT.

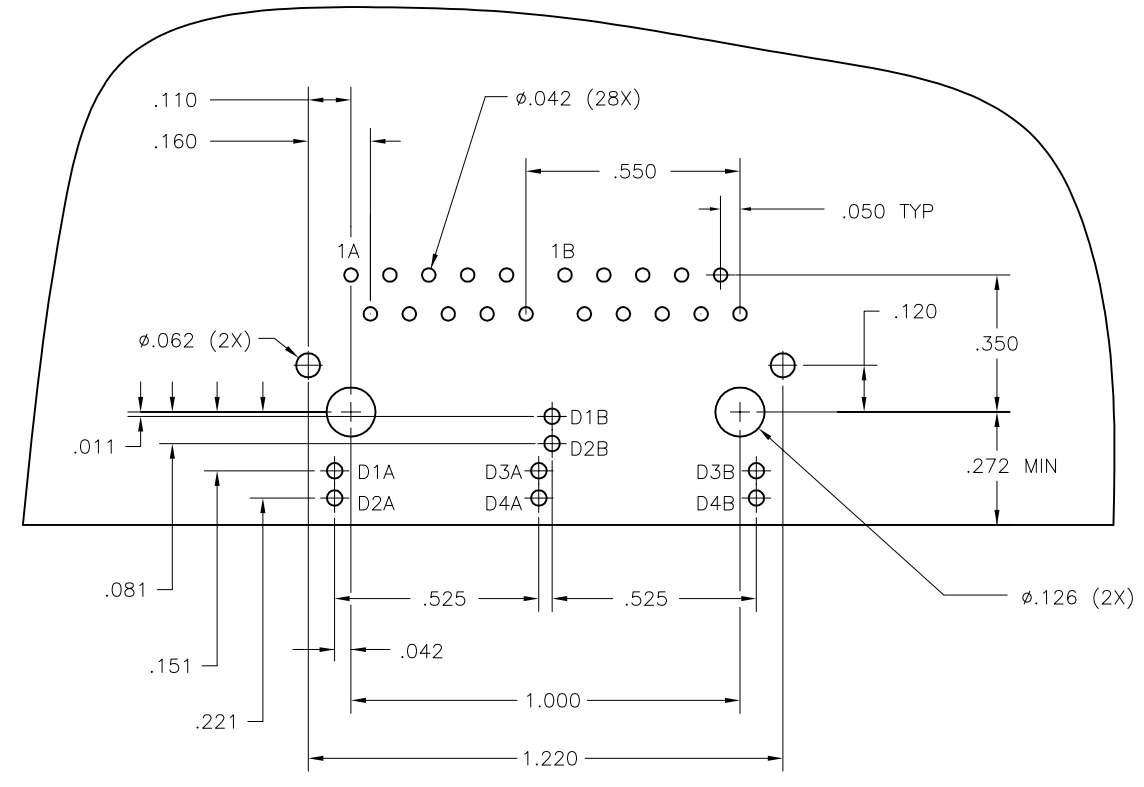
DIMENSIONS: INCHES 0 PLG ± - 1 PLG ± - 2 PLG ± .010 3 PLG ± .005 4 PLG ± - ANGLES ± - FINISH	TOLERANCES UNLESS OTHERWISE SPECIFIED: 0 PLG ± - 1 PLG ± - 2 PLG ± .010 3 PLG ± .005 4 PLG ± - ANGLES ± - FINISH	DIM: YKIN LEE 04FEB09 CHK: QUENTIN LIU 04FEB09 APP: LUJUN RAO 04FEB09 PRODUCT SPEC: 108-2100 APPLICATION SPEC: - WEIGHT: - CUSTOMER DRAWING	TRP connector Dongguan China NAME: 1X2 MAG45(TM), MODULAR JACK, 7G05ET CIRCUIT, SHIELDED, WITH LEDS SIZE: A1 CASE CODE: - DRAWING NO: C-1840560 RESTRICTED TO: - SCALE: 4:1 SHEET: 1 OF 2 REV: C
--	---	---	---

REVISIONS				
#	DATE	DESCRIPTION	BY	APPD
-	-	-	-	-

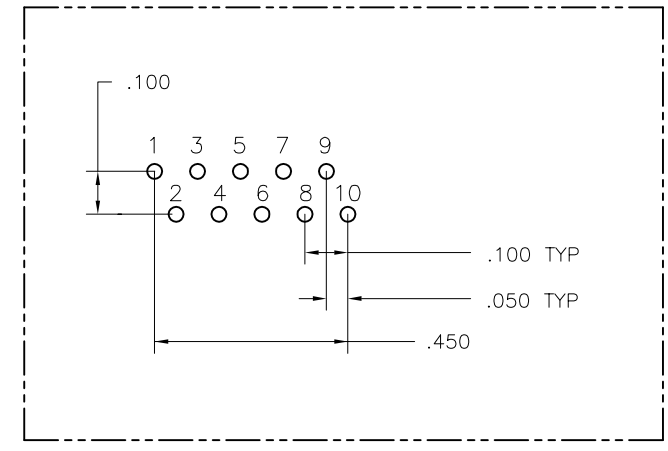
7G05ET GIGABIT CIRCUIT



C1 = 1000 pF, 2kV CAPACITOR
 R1-R4 = 75 OHMS, 1/16 W RESISTORS
 C2-C5 = 0.1 uF, 50V, X7R CAPACITORS



SUGGESTED PCB LAYOUT
 (Component Side)



PIN DESIGNATIONS

THIS DRAWING IS A CONTROLLED DOCUMENT.		DRW: YKIN LEE	DATE: 04FEB08	 TRP connector Dongguan China
DIMENSIONS: INCHES		CHK: QUENTIN LIU	DATE: 04FEB08	
DIMENSIONS: INCHES 0 PLC ± - 1 PLC ± - 2 PLC ± .010 3 PLC ± .005 4 PLC ± - ANGLES ± -		PRODUCT SPEC: 108-2100 APPLICATION SPEC:		NAME: 1X2 MAG45(TM), MODULAR JACK, 7G05ET CIRCUIT, SHIELDED, WITH LEADS SIZE: A1 CAGE CODE: C=1840560 DRAWING NO: 108-2100 RESTRICTED TO:
MATERIAL: -		FINISH: -		WEIGHT: - SCALE: 4:1 SHEET: 2 OF 2 REV: C