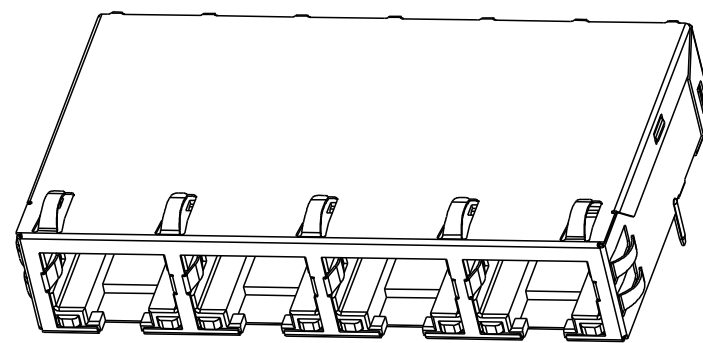
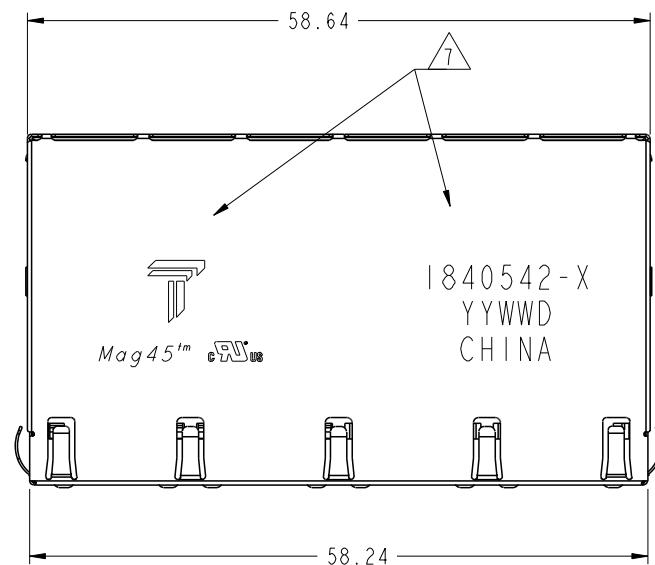
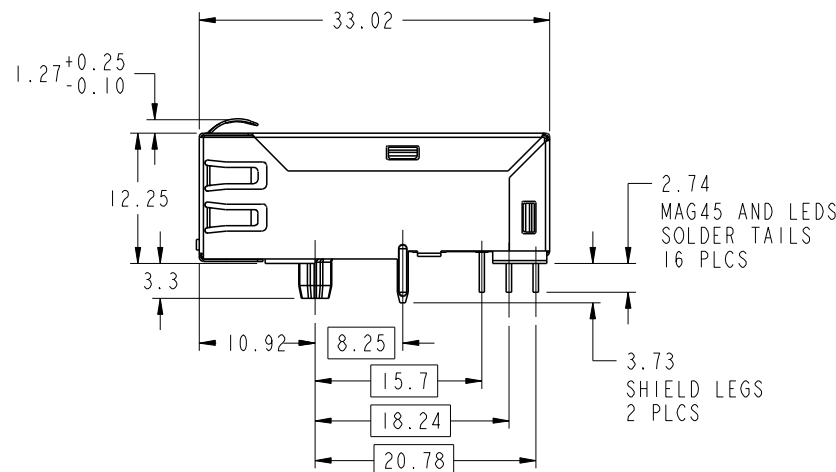
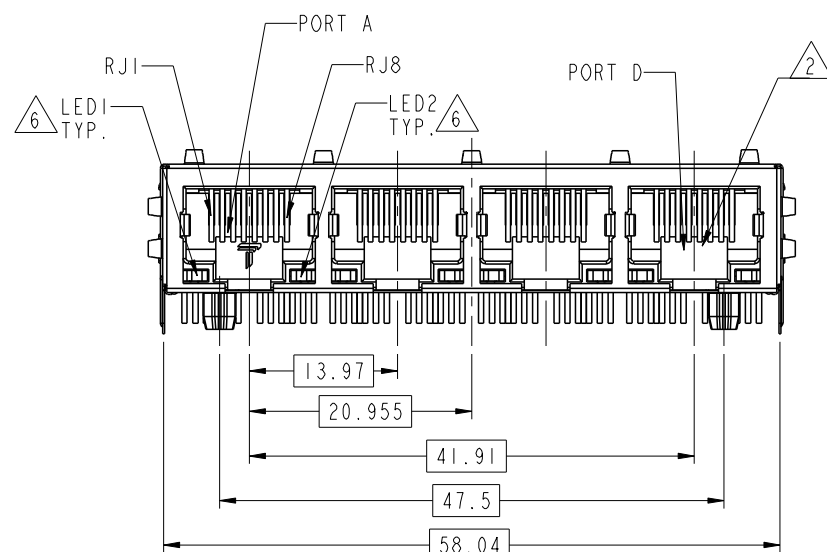


REVISIONS					
P	LTR	DESCRIPTION	DATE	DWN	APVD
E		LOGO CHANGE	03MAR2013	TY	KZ

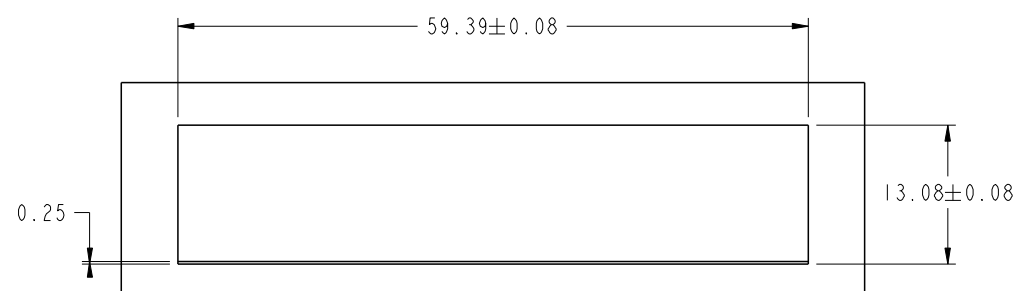


SCALE 2:1

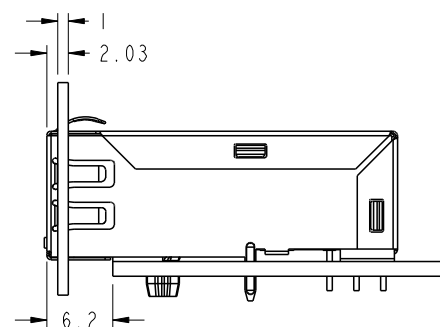
- 1 MATERIALS
 HOUSING: THERMOPLASTIC, BLACK, FLAMMABILITY RATING UL 94V-0
 SHIELD: BRASS, 0.20mm THICK
 PREPLATED WITH MIN 0.76um SEMI-BRIGHT NICKEL
 POST DIPPED WITH 2.54um MIN SAC SOLDER AT GROUND PINS.
 CONTACT: PHOSPHOR BRONZE, 0.46mm X0.3mm
 WITH 1.27um MIN OVERALL NICKEL UNDERPLATE AND
 SELECTIVE 1.27um MIN GOLD PLATING AT MATING INTERFACE
 SOLDER TAIL: COPPER CLADDED STEEL, 0.50mm SQUARE
 PLATED WITH 2.54um MIN MATTE TIN
 LIGHT PIPE: POLYCARBON, TRANSPARENT, RATING UL 94V-0
- 2 RJ45 CAVITY CONFORMS TO FCC RULES AND REGULATION PART 68 SUBPART F.
- 3 MAGNETICS
 -APPLICATION: 10/100/1000 BASE-T
 -IMPEDANCE: 100 OHMS
 -TURNS RATIO (CHIP:CABLE): 1:1 ALL FOUR PAIRS
 -OPEN CIRCUIT INDUCTANCE (OCL): 350uH MIN @100kHz, 0.1VRMS,
 8mA DC BIAS FROM 0°C TO 70°C, ALL FOUR PAIRS
 -ALL FOUR PAIRS BI-DIRECTIONAL
 -PERFORMANCE @ 25°C:
 INSERTION LOSS (IL): 1.1dB MAX FROM 0.5MHz TO 100MHz
 RETURN LOSS (RL): 18dB MIN FROM 0.5MHz TO 40MHz
 12-20LOG(f/80)dB MIN FROM 40.1MHz TO 100MHz
 CROSSTALK ATTENUATION: 35dB MIN FROM 0.5MHz TO 40MHz
 33-20LOG(f/50)dB MIN FROM 40.1MHz TO 100MHz
 COMMON MODE REJECTION RATIO (CMRR): 30dB MIN FROM 0.5MHz TO 100MHz
 -ISOLATION VOLTAGE: COMPLIES WITH IEEE802.3 2002, PARA 40.6.1.1, ITEM a and b.



- 4. OPERATING TEMPERATURE: 0°C ~ 70°C
- 5 THE MAGNETIC CIRCUIT ON ALL FOUR CHANNELS ARE SYMMETRICAL AND SUPPORT AUTO-MDIX OPERATION.
- 6 LED IS DRIVEN WITH CONSTANT CURRENT AT APPROX 20mA.
 LED COLOR: DOMINANT WAVELENGTH (λD): GREEN 568 nm TYP. at IF=20mA
 FORWARD VOLTAGE (VF): GREEN 2.2V TYP. at IF=20mA
 DOMINANT WAVELENGTH (λD): YELLOW 588 nm TYP. at IF=20mA
 FORWARD VOLTAGE (VF): YELLOW 2.2V TYP. at IF=20mA
 DOMINANT WAVELENGTH (λD): ORANGE 608 nm TYP. at IF=20mA
 FORWARD VOLTAGE (VF): ORANGE 2.2V TYP. at IF=20mA
- 7 TRP CONNECTOR LOGO, PART NUMBER, DATE CODE, COUNTRY OF ORIGIN, AGENCY LOGO TO BE MARKED IN APPROXIMATE LOCATION SHOWN.
- 8. THESE PARTS ARE RECOMMENDED FOR WAVE SOLDERING PROCESS, PEAK SOLDERING TEMPERATURE IS 265 °C MAX, 10 SECONDS MAX.



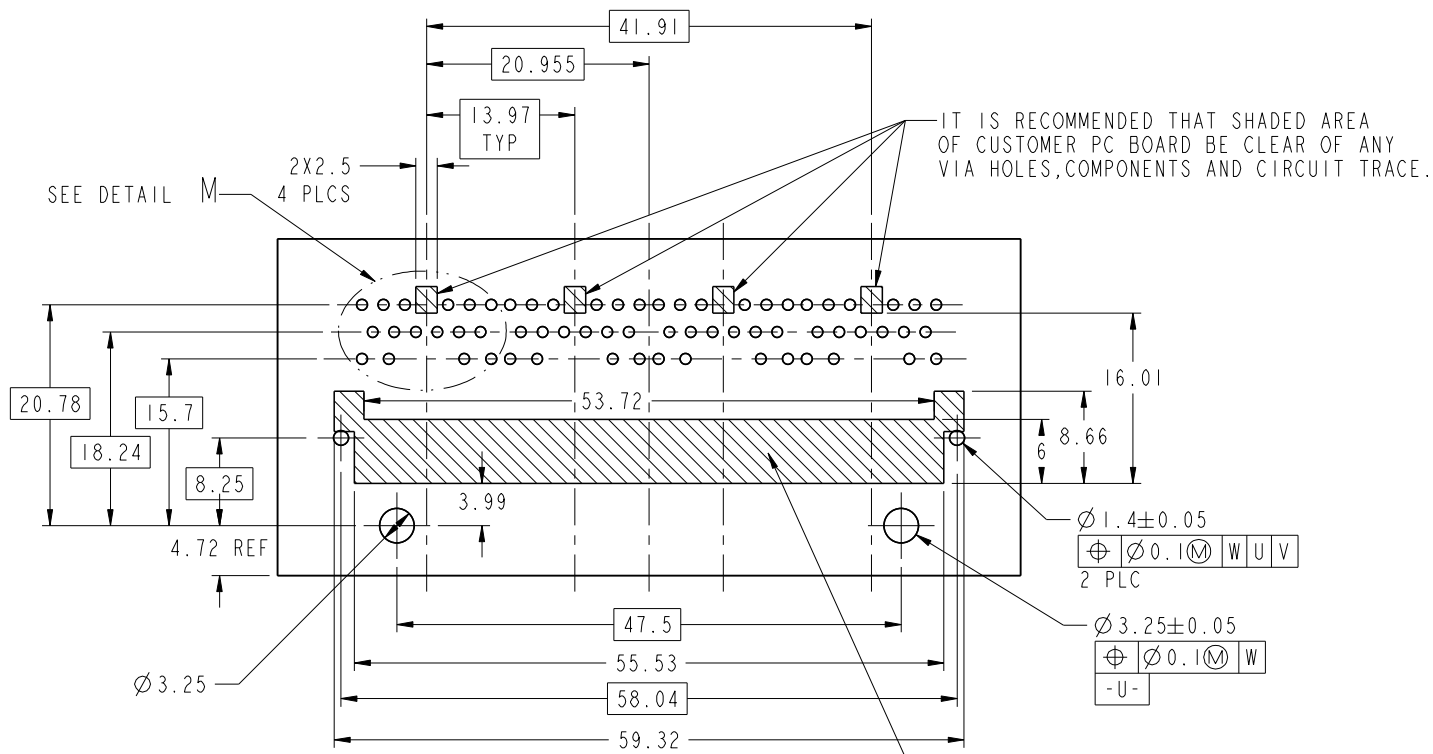
SUGGESTED PANEL CUTOUT
SCALE 2:1



CONNECTOR ASSEMBLED
TO PANEL AND PCB
SCALE 2:1

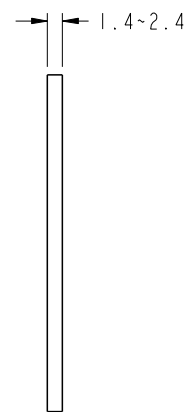
GREEN/ORANGE	YELLOW	1840542-3
GREEN	YELLOW	1840542-2
GREEN	GREEN	1840542-1
LED1	LED2	PART NUMBER

THIS DRAWING IS A CONTROLLED DOCUMENT.		DWN	30-AUG-07	TRP connector Dongguan China
DIMENSIONS: mm		CHK	30-AUG-07	
TOLERANCES UNLESS OTHERWISE SPECIFIED:		APVD	30-AUG-07	
0 PLC ±0.25 1 PLC ±0.25 2 PLC ±0.25 3 PLC ±0.25 4 PLC ± ANGLES ± FINISH ±1.0		PRODUCT SPEC		
MATERIAL		NAME		IX4 MAG45(TM) JACK LOW PROFILE 8G53 GIGABIT, SHIELDED, WITH LEDS
		SIZE	CAGE CODE	DRAWING NO
		WEIGHT	A2	©=1840542
		CUSTOMER DRAWING		RESTRICTED TO
		SCALE	NTS	SHEET 1 OF 2 REV E

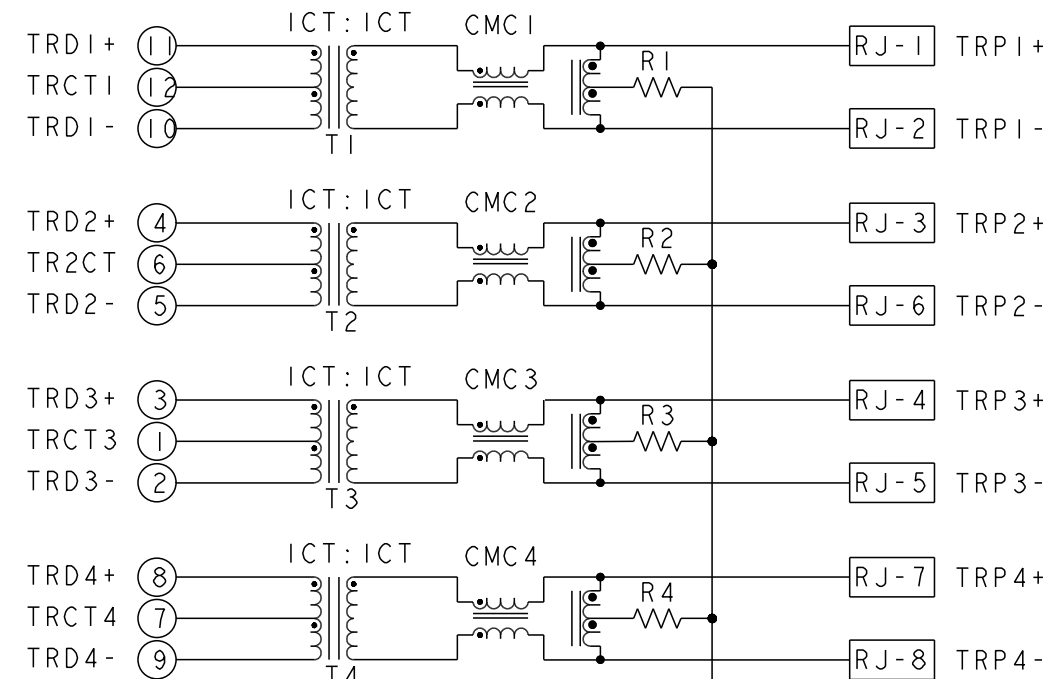


SUGGESTED PCB FOOTPRINT
COMPONENT SIDE
SCALE 2:1

IT IS RECOMMENDED THAT SHADED AREA
OF CUSTOMER PC BOARD BE CLEAR OF ANY
VIA HOLES, COMPONENTS, GROUND COPPER
AND CIRCUIT TRACE.

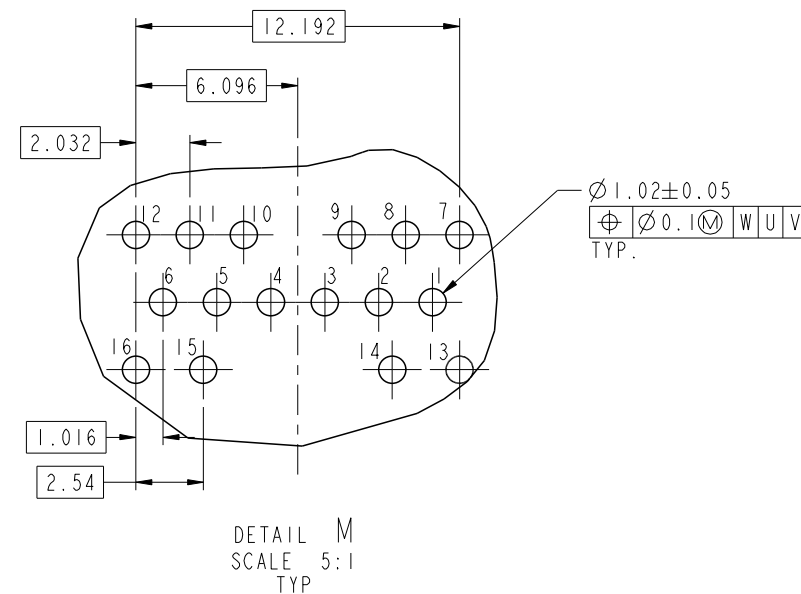
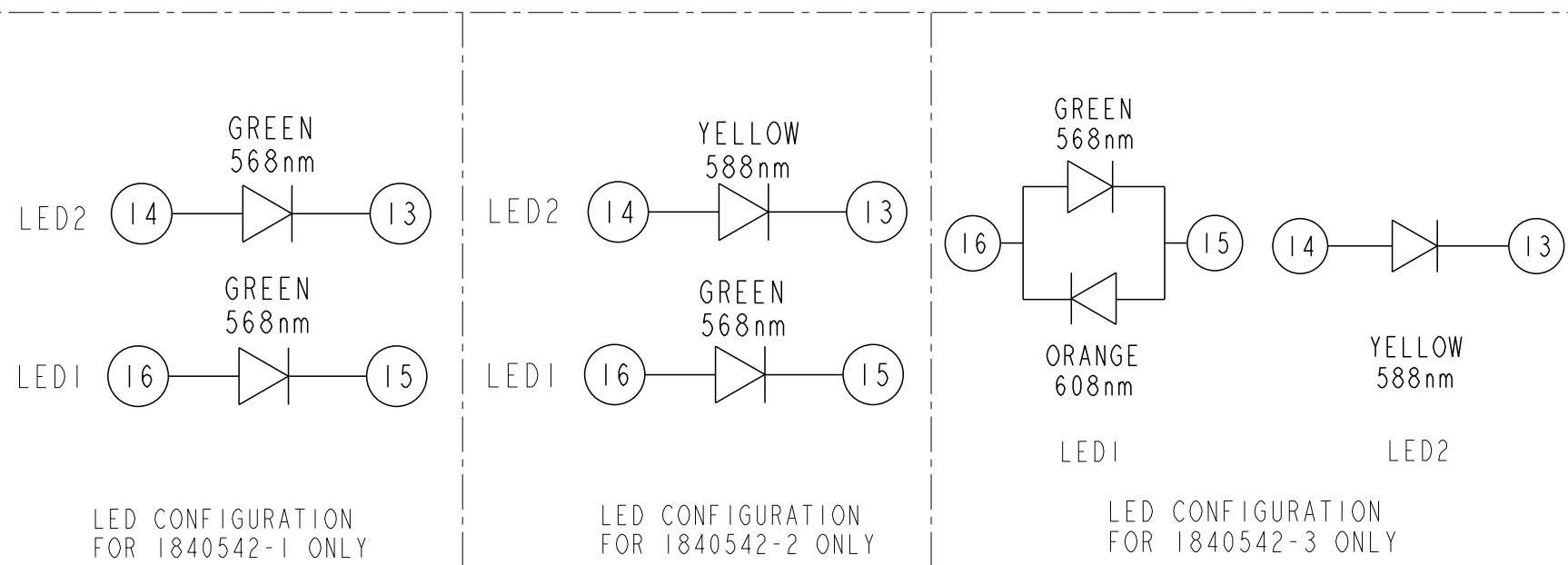
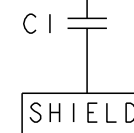


8G53 GIGABIT CIRCUIT $\triangle 3 \triangle 5$



R1-R4=75 Ohms, 1/16W, 5% RESISTORS

C1=1000 pF, 3kV CAPACITOR



DETAIL M
SCALE 5:1
TYP

THIS DRAWING IS A CONTROLLED DOCUMENT.		DWN LINDA DING 30-AUG-07	<p>TRP connector Dongguan China</p>
DIMENSIONS: mm		CHK KEITH ZHU 30-AUG-07	
TOLERANCES UNLESS OTHERWISE SPECIFIED:		APVD TEDDY XLONG 30-AUG-07	
0 PLC ±0.25 1 PLC ±0.25 2 PLC ±0.25 3 PLC ±0.25 4 PLC ±0.25 ANGLES ± FINISH ±1.0		PRODUCT SPEC	NAME 1X4 MAG45(TM) JACK LOW PROFILE 8G53 GIGABIT, SHIELDED, WITH LEDS
MATERIAL		APPLICATION SPEC	SIZE A2
		WEIGHT	CAGE CODE C=1840542
		CUSTOMER DRAWING	DRAWING NO. RESTRICTED TO
		SCALE NTS	SHEET 2 OF 2
			REV E