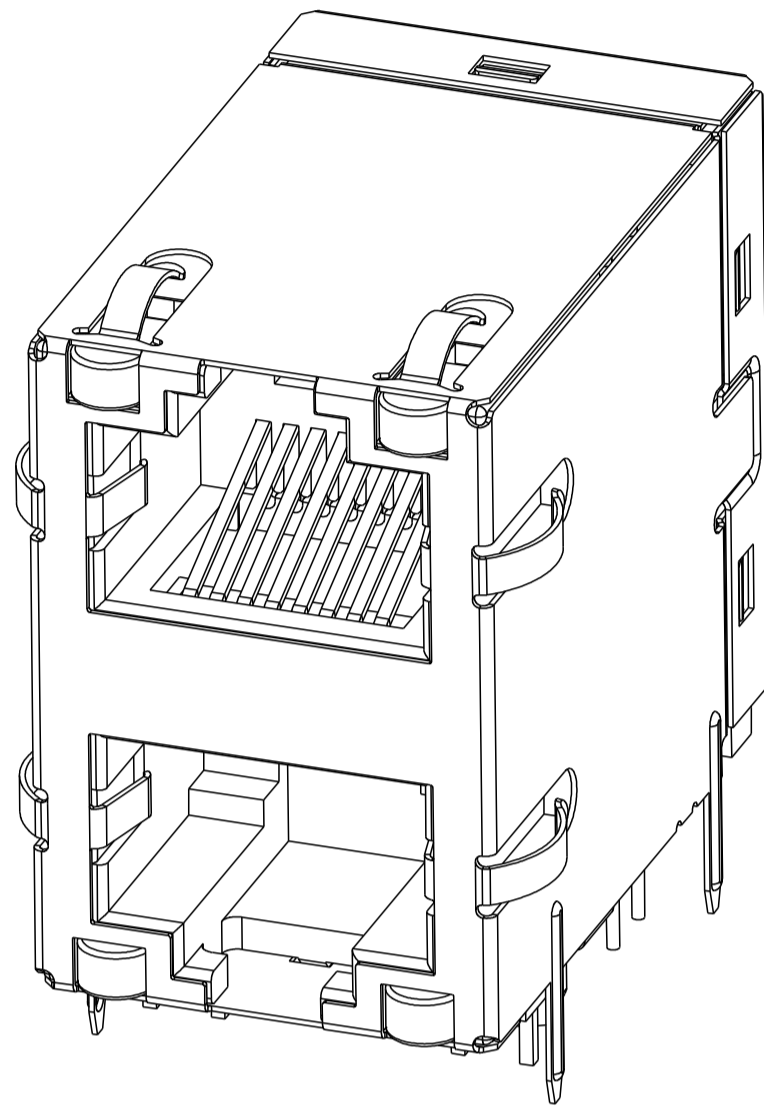
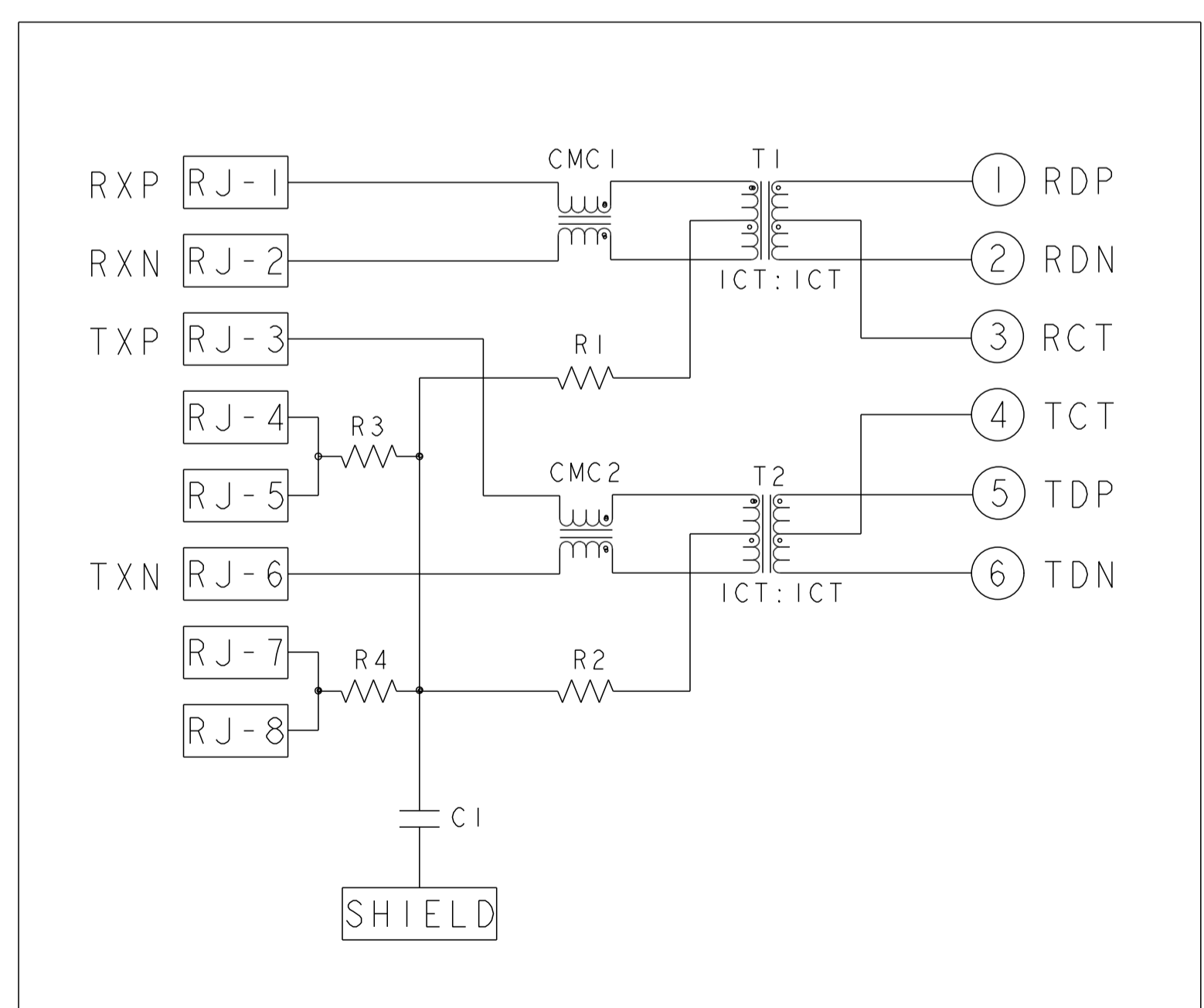


REVISIONS					
P	LT#	DESCRIPTION	DATE	DWN	APVD
B		LOGO CHANGE	12APR2013	RL	KZ



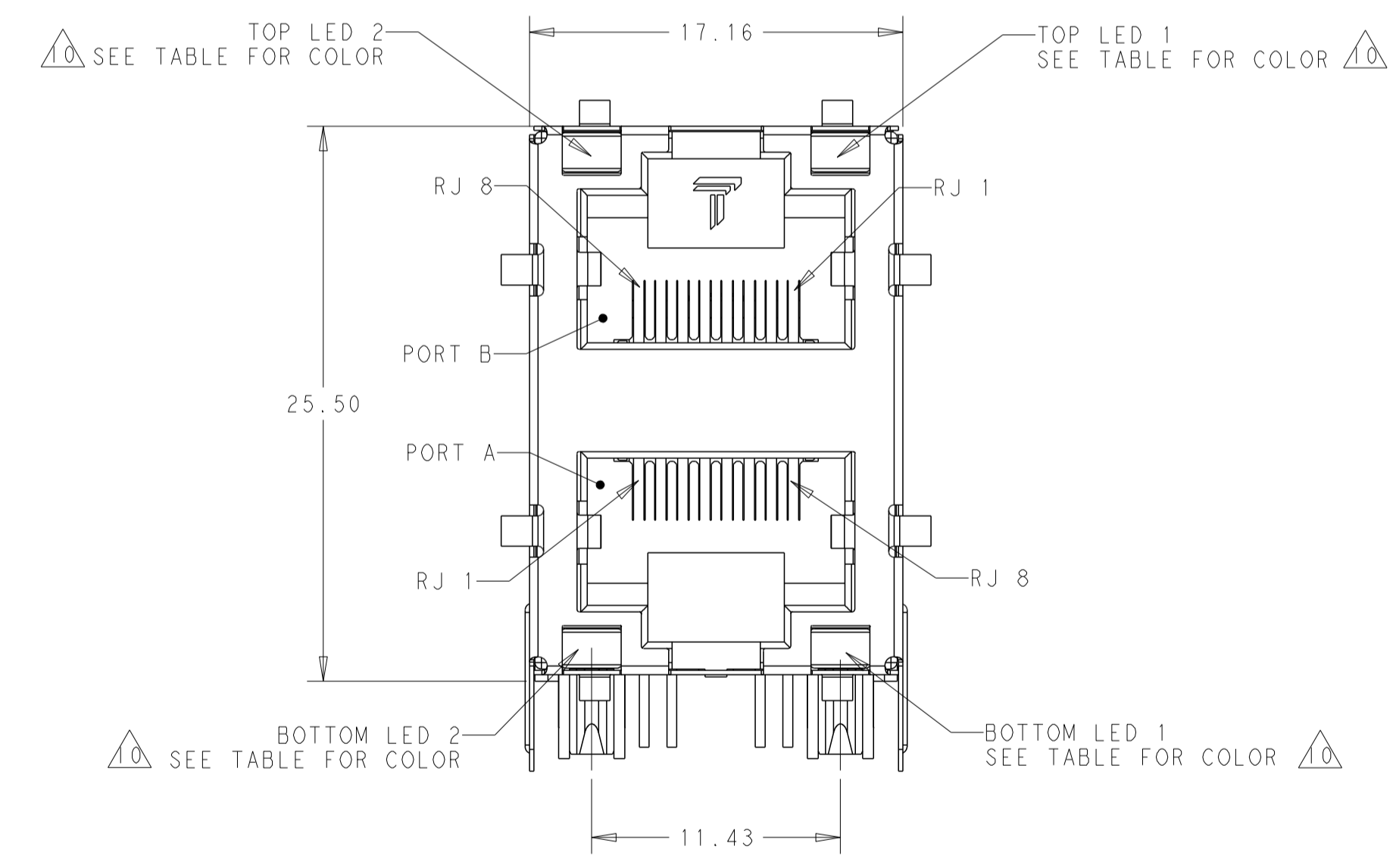
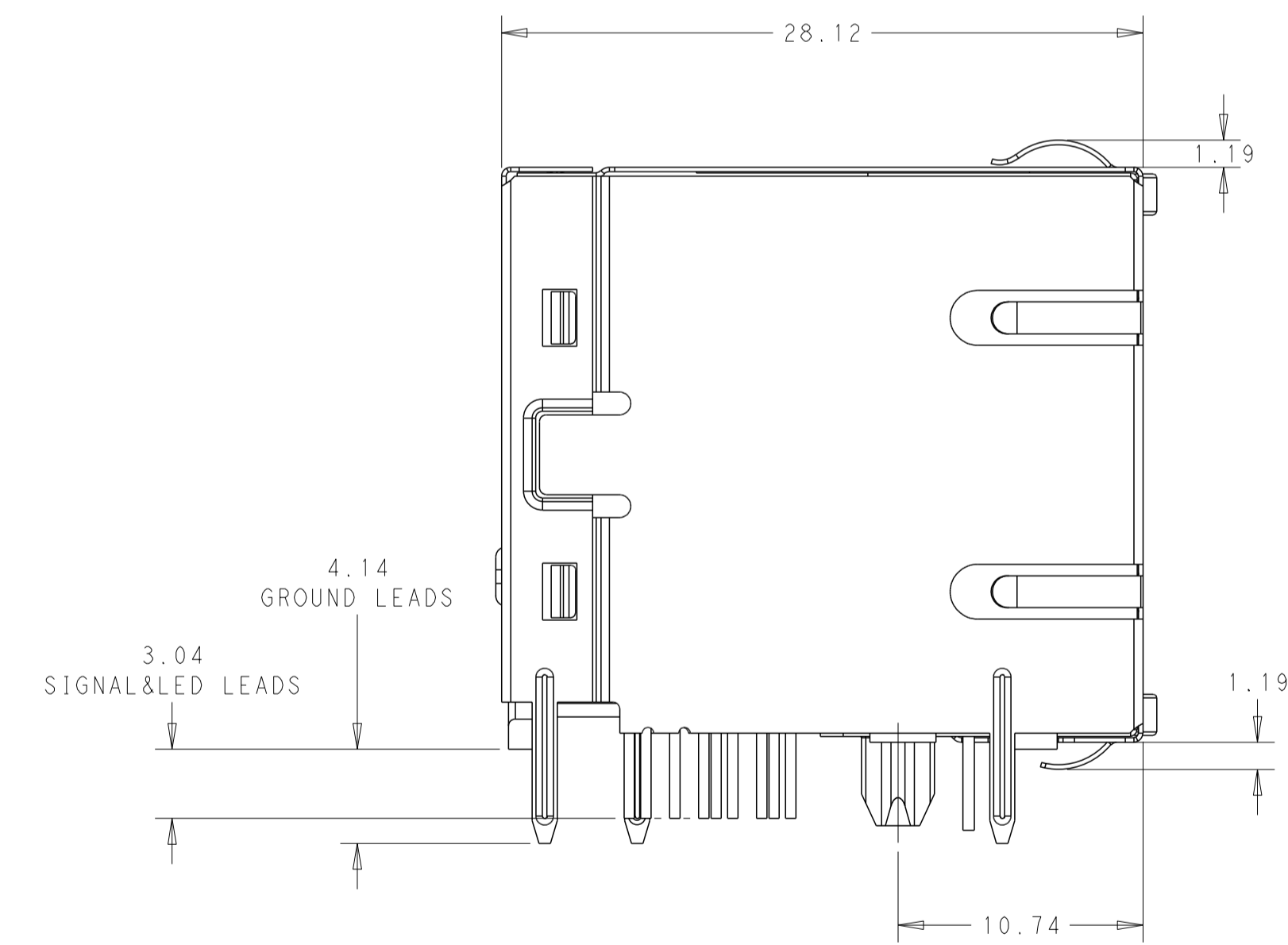
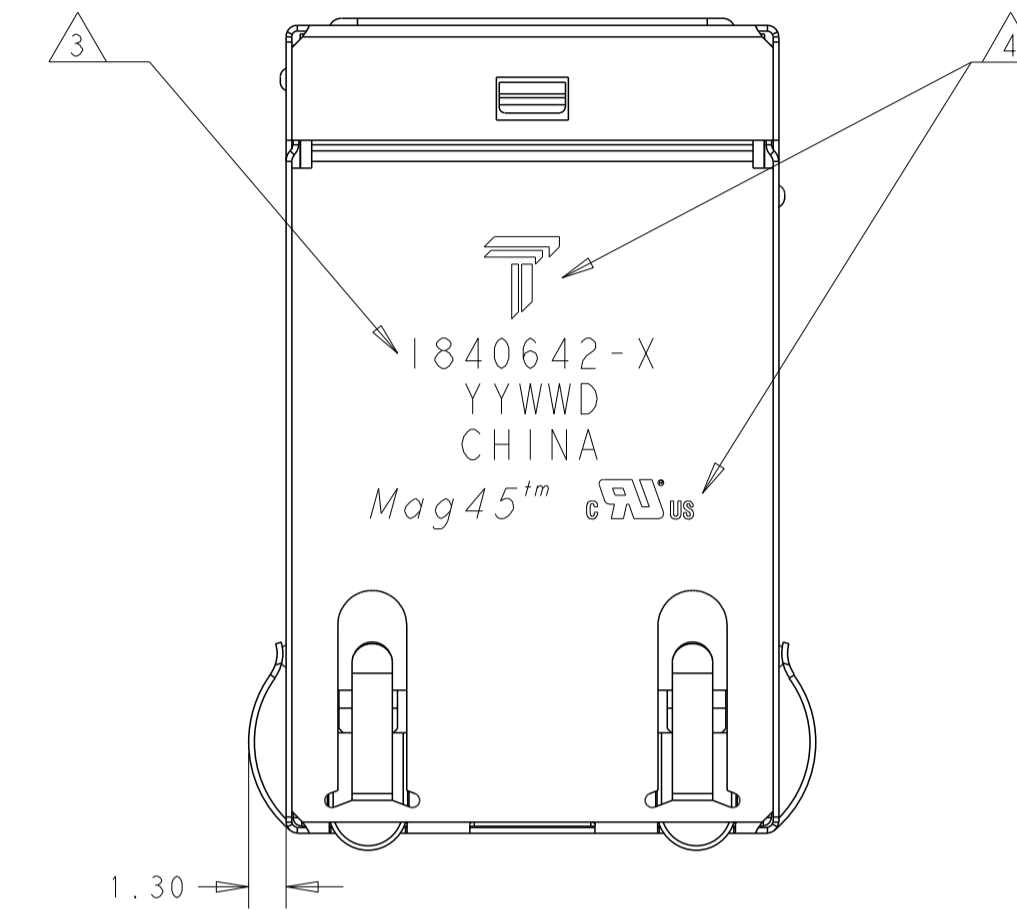
- 1. MATERIALS:  
 PLASTIC HOUSING: BLACK, THERMOPLASTIC FLAMMABILITY RATING UL 94V-0  
 SHIELD: BRASS, PREPLATED WITH 0.76um MIN SEMI-BRIGHT NICKEL,  
 POST DIPPED WITH 2.54um MIN SAC SOLDER ON SOLDER TAILS,  
 CONTACTS: PHOSPHOR BRONZE, 1.27um MIN OVERALL NICKEL  
 UNDERPLATE WITH SELECT 1.27um MIN GOLD AT MATING INTERFACE  
 AND 2.54um MIN MATTE TIN ON SOLDER TAILS.  
 ALL PC BOARDS: HIGH TEMPERATURE PCB, TG>170°C
- 2. MAGNETICS  
 APPLICATION: 10/100 BASE-T  
 IMPEDANCE: 100 OHMS  
 TURNS RATIO (CHIP:CABLE): TX = 1:1, RX = 1:1  
 OPEN CIRCUIT INDUCTANCE (OCL): 350uH MIN @100kHz, 0.1VRMS,  
 8mADC BIAS FROM -40°C TO +85°C, TX AND RX  
 PERFORMANCE @ 25°C:  
 INSERTION LOSS (IL): 1.1dB MAX FROM 0.5MHz TO 100MHz  
 RETURN LOSS (RL): 18dB MIN FROM 0.5MHz TO 30MHz  
 18-20LOG(f/30)dB MIN FROM 30.1MHz TO 60MHz  
 12dB MIN FROM 60.1MHz TO 80MHz  
 CROSSTALK ATTENUATION: 35dB MIN FROM 0.5MHz TO 40MHz  
 33-20LOG(f/50)dB MIN FROM 40.1MHz TO 100MHz  
 COMMON MODE REJECTION RATIO (CMRR): 30dB MIN FROM 0.5MHz TO 100MHz  
 ISOLATION VOLTAGE: 2250VDC (MAX) FOR 60 SECONDS WITH A RISE TIME  
 OF 500V/SEC AND WITH ALL PORTS CONNECTED.
- 3. PART NUMBER, DATE CODE AND COUNTRY OF ORIGIN ARE LOCATED  
 IN APPROXIMATE AREA SHOWN. DATE CODE: "YY" IS YEAR, "WW" IS  
 WORK WEEK, "D" IS DAY OF WEEK, WITH SUNDAY=1
- 4. TRP CONNECTOR LOGO AND AGENCY APPROVAL LOGO ARE  
 LOCATED IN APPROXIMATE AREA SHOWN.
- 5. OPERATING TEMP: FROM -40°C TO +85°C.
- 6. RJ45 CAVITY CONFORMS TO FCC RULES AND REGULATION PART 68 SUBPART F.
- 7. INDICATED MAGNETIC CONNECTIONS ARE SYMMETRICAL AND  
 SUPPORT AUTO-MDI/MDIX.
- 8. DATUM AND BASIC DIMENSION ESTABLISHED BY CUSTOMER.
- 9. BASIC DIMENSION ESTABLISHED BY CUSTOMER, BUT MAY NOT BE  
 GREATER THAN 5.08mm.
- 10. LEDs ARE DRIVEN WITH CONSTANT CURRENT AT APPROX 20mA  
 LED COLOR: DOMINANT WAVELENGTH (ID): GREEN 568 nm TYP. @ IF=20mA  
 FORWARD VOLTAGE (VF): GREEN 2.2V TYP. @ IF=20mA  
 DOMINANT WAVELENGTH (ID): YELLOW 588 nm TYP. @ IF=20mA  
 FORWARD VOLTAGE (VF): YELLOW 2.1V TYP. @ IF=20mA
- 11. THIS PART IS RECOMMENDED FOR WAVE SOLDERING PROCESS,  
 PEAK TEMPERATURE 260°C MAX, 10 SECONDS MAX.


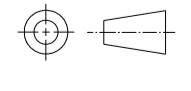
S866ETP9 10/100 BASE-T CIRCUIT  $\Delta$  $\Delta$   
 TOP AND BOTTOM PORTS

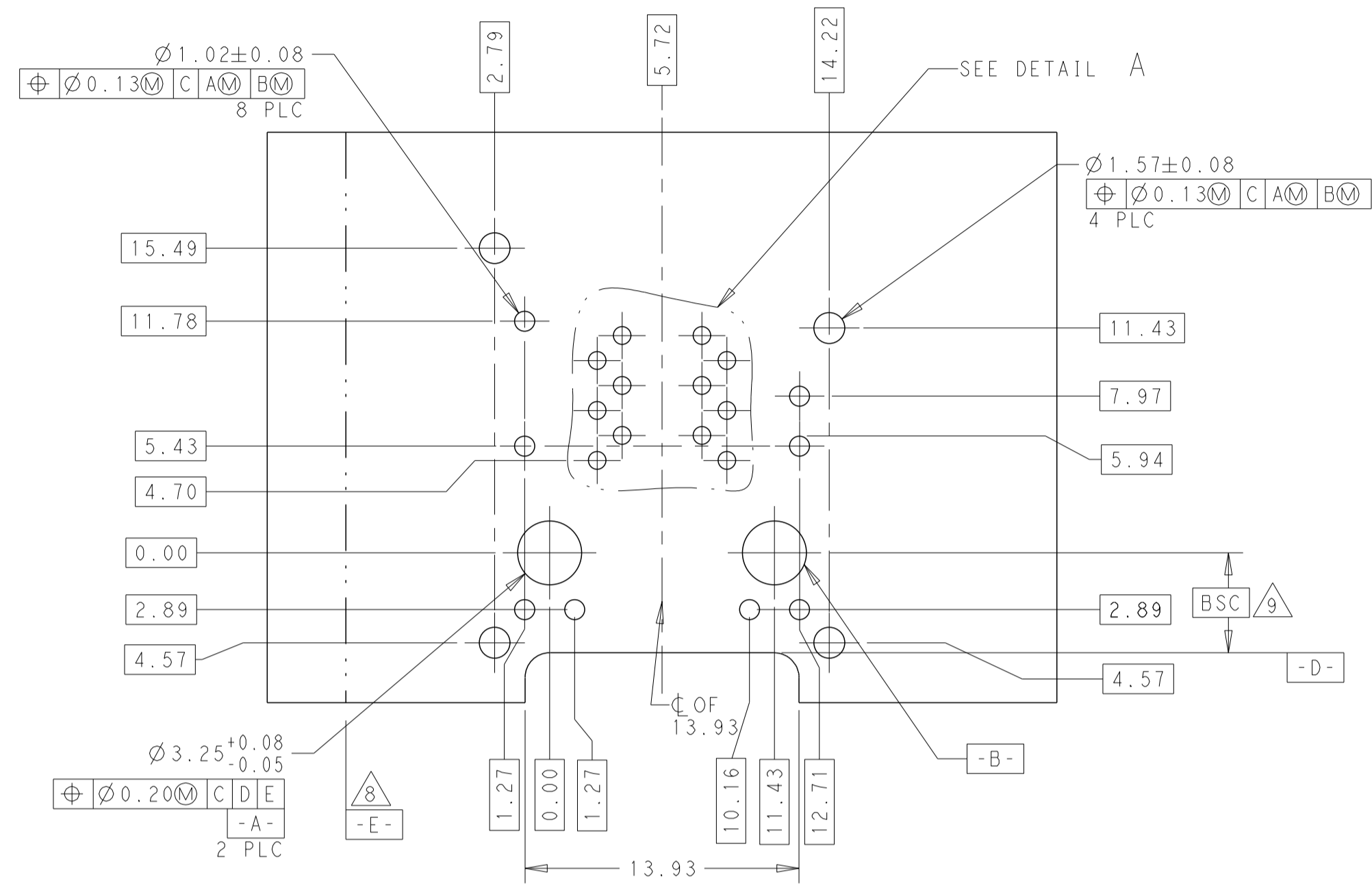


C1 = 1000pF, 2kV, X7R DECOUPLING CAPACITOR  
 R1-R4 = 75 Ohms, 1/16 W, RESISTORS

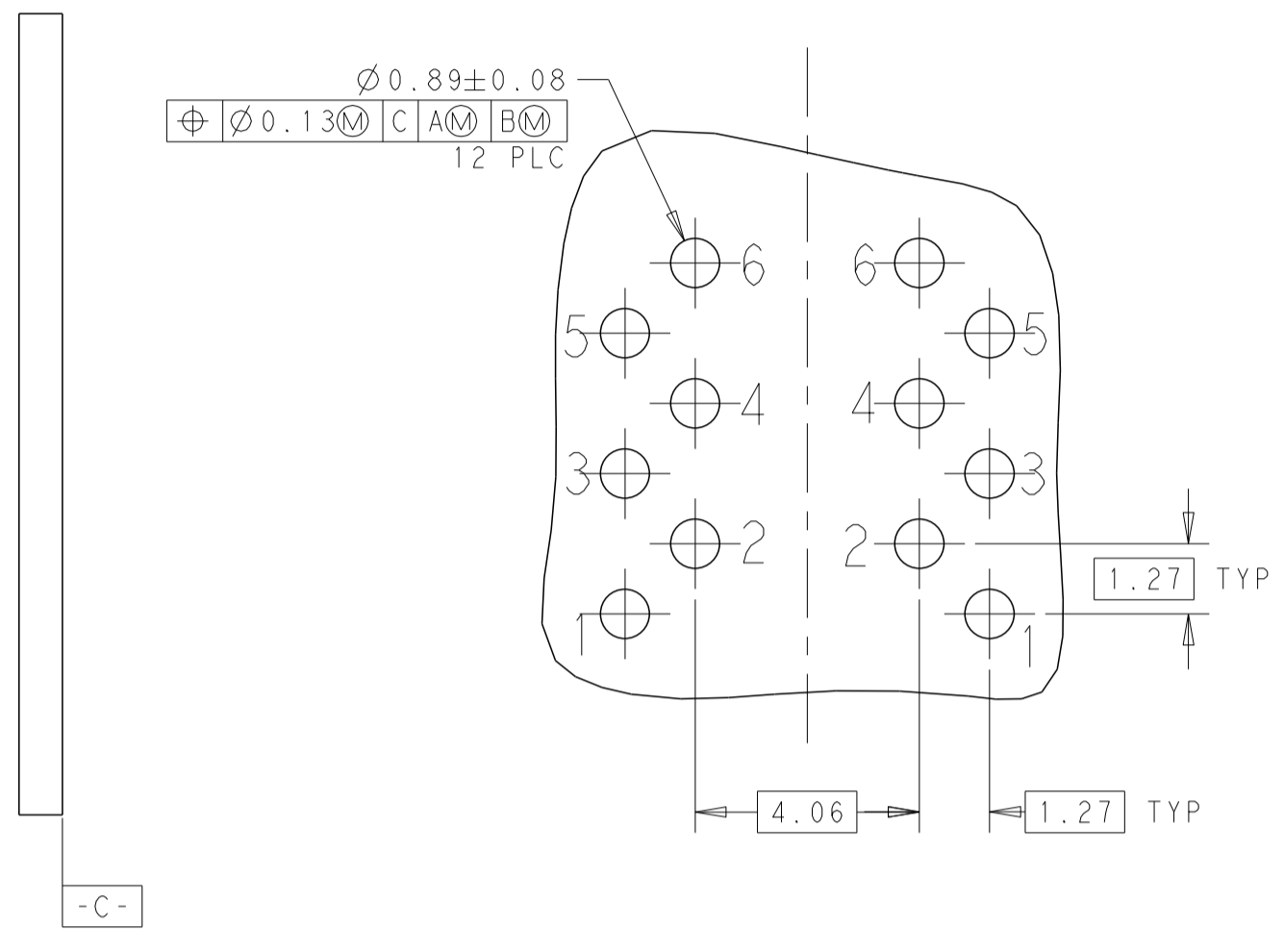
THIS DRAWING IS A CONTROLLED DOCUMENT.		DWN: PAUL SEAN 24MAY2011		GREEN		YELLOW		GREEN		YELLOW		1840642-3	
		CHN: QUENTIN LIU 24MAY2011		BOTTOM LED 2		BOTTOM LED 1		TOP LED 2		TOP LED 1		PART NUMBER	
		APVD: LI JUN RAO 24MAY2011		PRODUCT SPEC		NAME		2X1 MAG45(TM), 10/100 S866ETP9		SIZE		RESTRICTED TO	
DIMENSIONS: mm		TOLERANCES UNLESS OTHERWISE SPECIFIED:		APPLICATION SPEC		CAGE CODE		DRAWING NO		SCALE		SHEET 1 OF 4	
0 PLC ±		1 PLC ±		108-104004		A1		C=1840642		CUSTOMER DRAWING		REV B	
2 PLC ±0.25		3 PLC ±		WEIGHT		-		-		-		-	
4 PLC ±		ANGLES		FINISH		-		-		-		-	



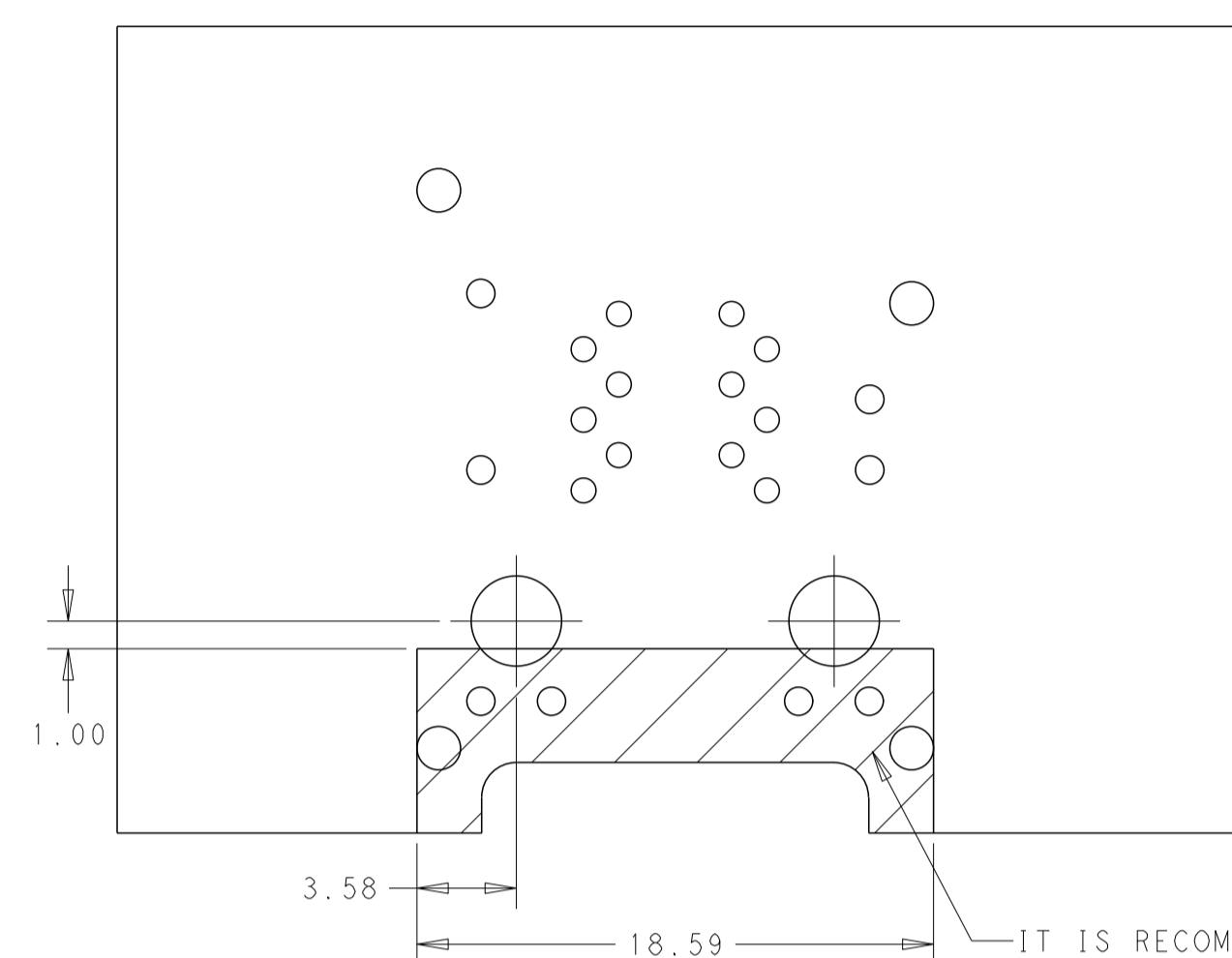
THIS DRAWING IS A CONTROLLED DOCUMENT.		OWN: PAUL/SEAN 24MAY2011	 TRP connector Dongguan China
		CHK: QUENTIN LIU 24MAY2011	
		APPV: LI JUN RAO 24MAY2011	
		PRODUCT SPEC	
DIMENSIONS:	TOLERANCES UNLESS OTHERWISE SPECIFIED:	108-104004	NAME: 2X1 MAG45(TM), 10/100 S866ETP9
mm	0 PLC ±	APPLICATION SPEC	CIRCUIT GROUND SHIELD, WITH LEADS
	1 PLC ±	SIZE: A 1	CAGE CODE: C=1840642
	2 PLC ±0.25	SCALE: NTS	SHEET: 2 OF 4
	3 PLC ±	REV: B	
	4 PLC ±		
MATERIAL:	FINISH:	CUSTOMER DRAWING	



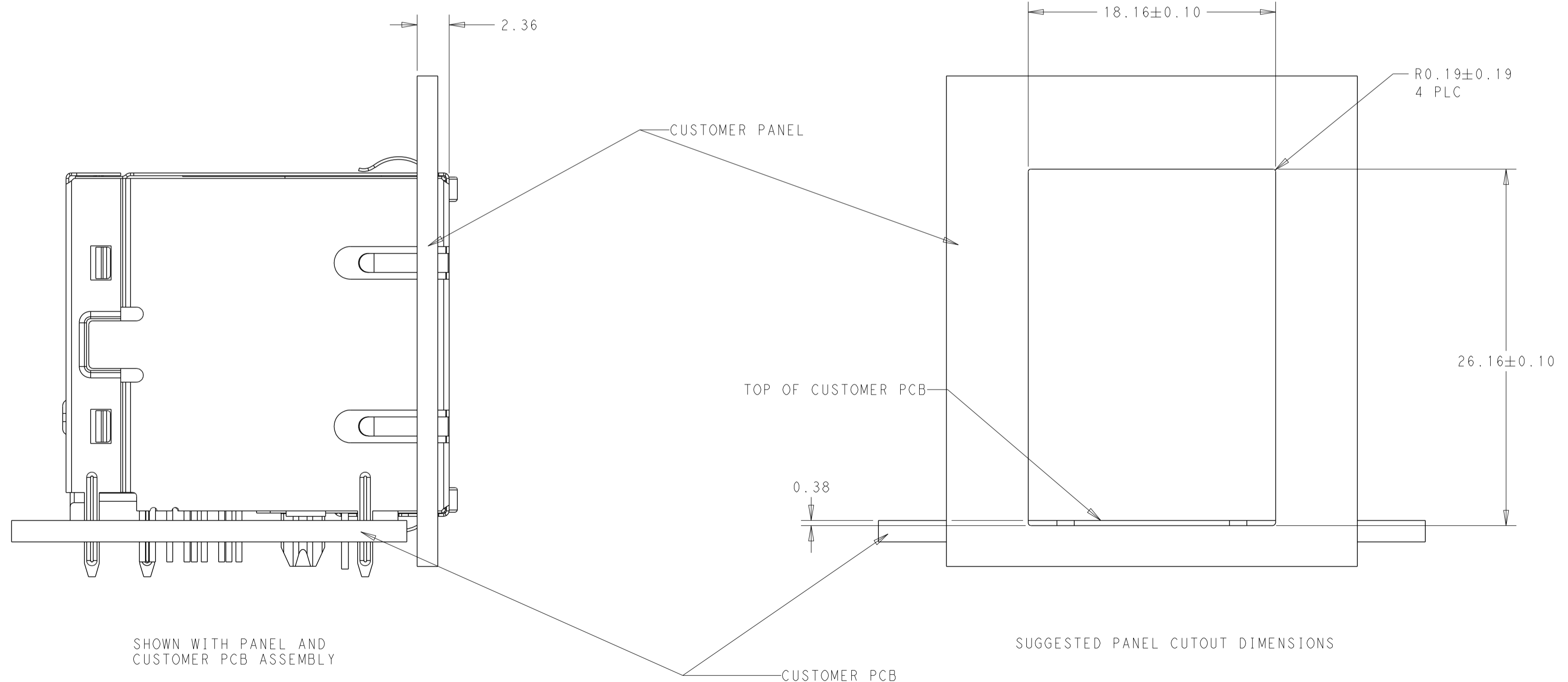
RECOMMENDED PCB LAYOUT COMPONENT SIDE VIEW



DETAIL A SCALE 8:1



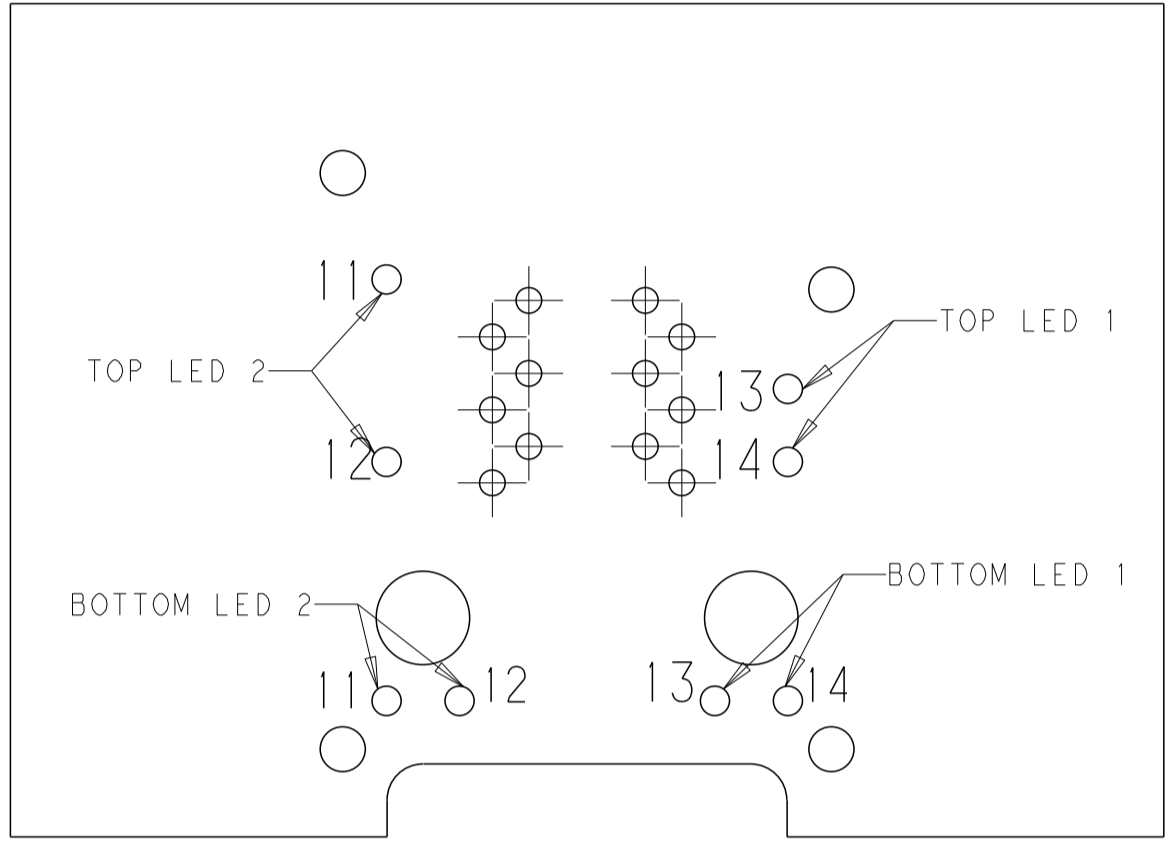
IT IS RECOMMENDED THAT SHADED AREA OF CUSTOMER PC BOARD BE CLEAR OF ANY VIA HOLE, COMPONENT AND CIRCUIT TRACE



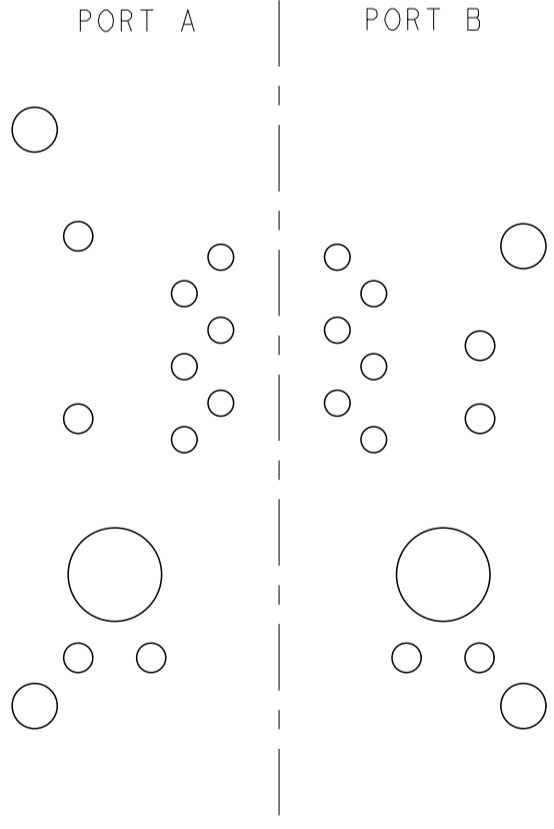
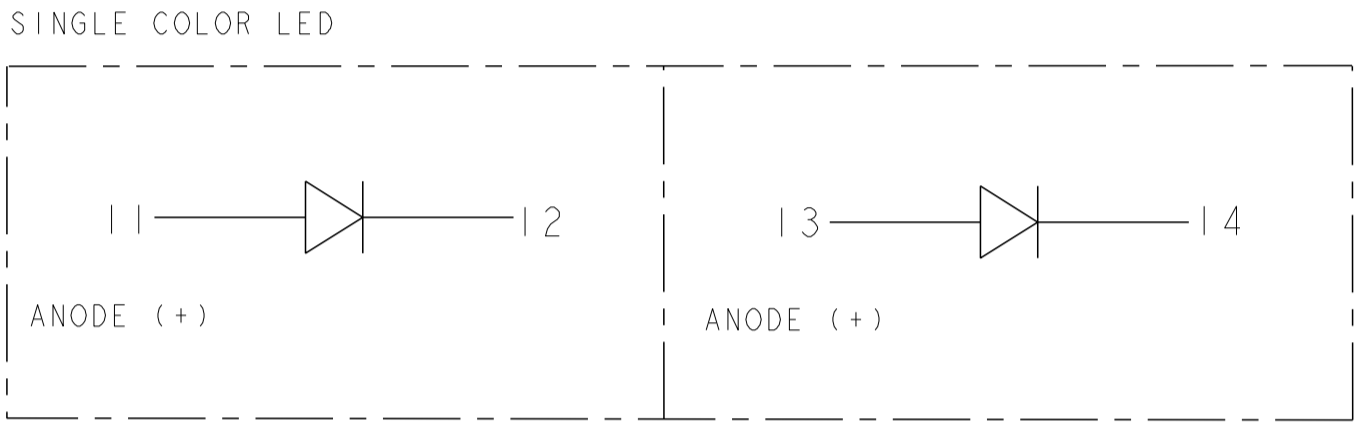
SHOWN WITH PANEL AND CUSTOMER PCB ASSEMBLY

SUGGESTED PANEL CUTOUT DIMENSIONS

THIS DRAWING IS A CONTROLLED DOCUMENT.		OWN: PAUL SEAN 24MAY2011	TRP connector
		CHK: QUENTIN LIU 24MAY2011	Dongguan China
		APVD: LI JUN RAO 24MAY2011	
DIMENSIONS:	TOLERANCES UNLESS OTHERWISE SPECIFIED:	PRODUCT SPEC	NAME
mm		108-104004	2X1 MAG45(TM), 10/100 S866ETP9
Ø	0 PLC ±	APPLICATION SPEC	CIRCUIT GROUND SHIELD, WITH LEDS
	1 PLC ±	WEIGHT	SIZE
	2 PLC ±0.25		A 1
	3 PLC ±	CUSTOMER DRAWING	SCALE
	4 PLC ±		NTS
	ANGLES		SHEET 3 OF 4
	FINISH		REV B



LED HOLE DESIGNATIONS  
 VIEWED FROM COMPONENT SIDE



THIS DRAWING IS A CONTROLLED DOCUMENT.		OWN: PAUL SEAN 24MAY2011	TRP connector Dongguan China
		CHK: QUENTIN LIU 24MAY2011	
		APPV: LI JUN RAO 24MAY2011	
DIMENSIONS:	TOLERANCES UNLESS OTHERWISE SPECIFIED:	PRODUCT SPEC	NAME: 2X1 MAG45(TM), 10/100 S866ETP9
mm	0 PLC ±	108-104004	CIRCUIT GROUND SHIELD, WITH LEDS
	1 PLC ±	APPLICATION SPEC	SIZE: A 1
	2 PLC ±0.25		CAGE CODE: C=1840642
	3 PLC ±		DRAWING NO: -
	4 PLC ±		RESTRICTED TO: -
	ANGLES ±		
	FINISH -		
MATERIAL		WEIGHT -	
		CUSTOMER DRAWING	SCALE: NTS SHEET 4 OF 4 REV B