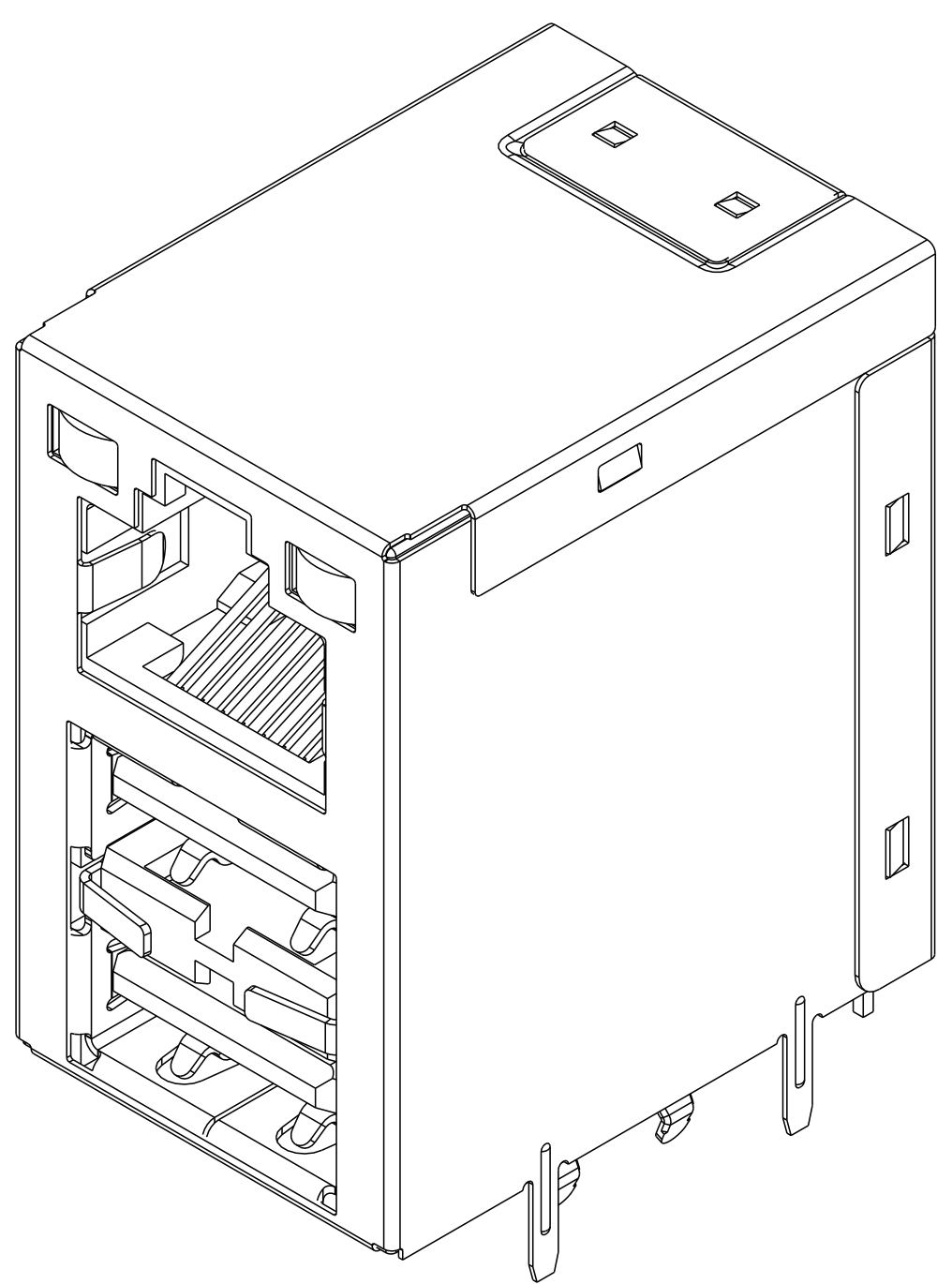
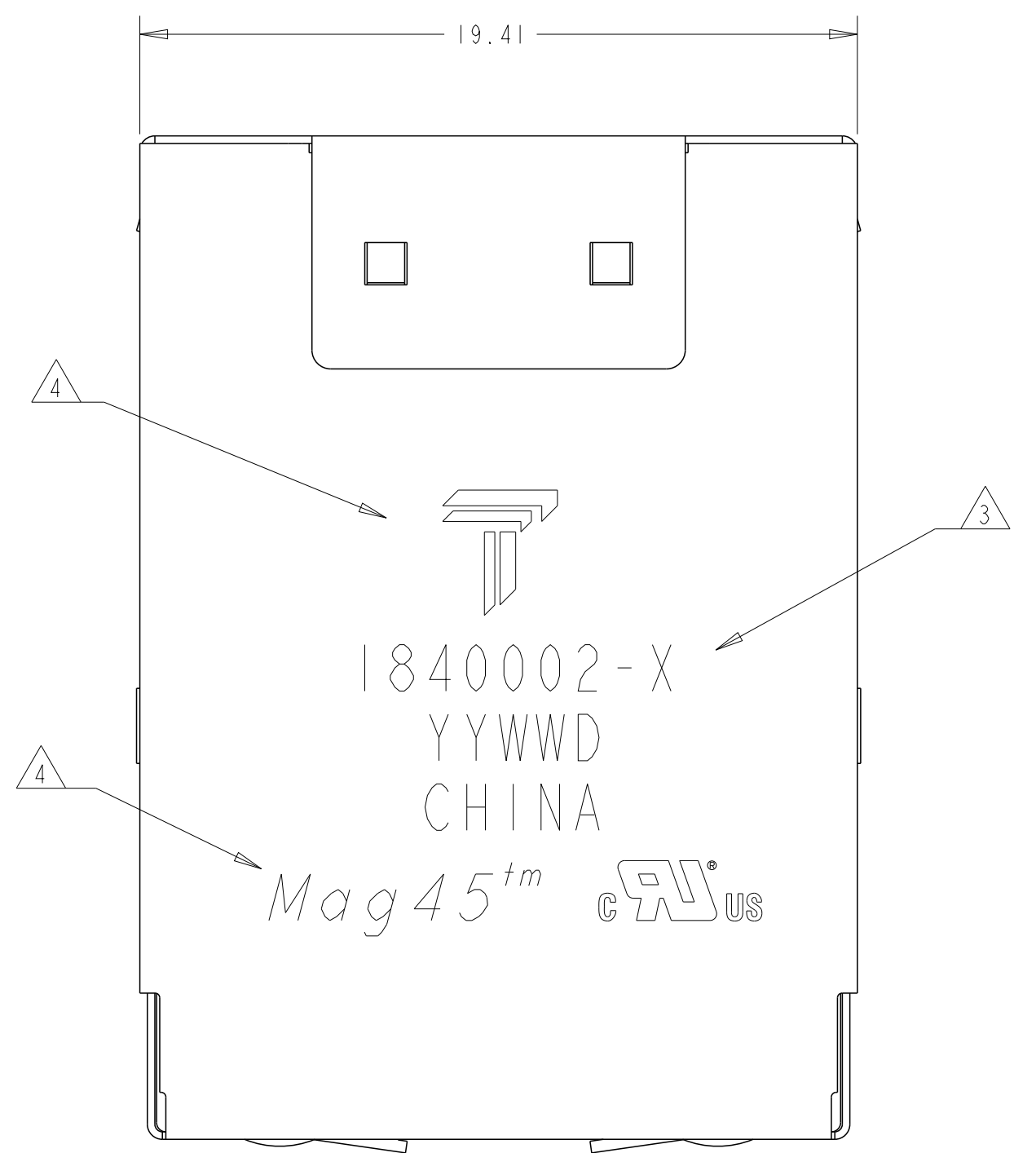
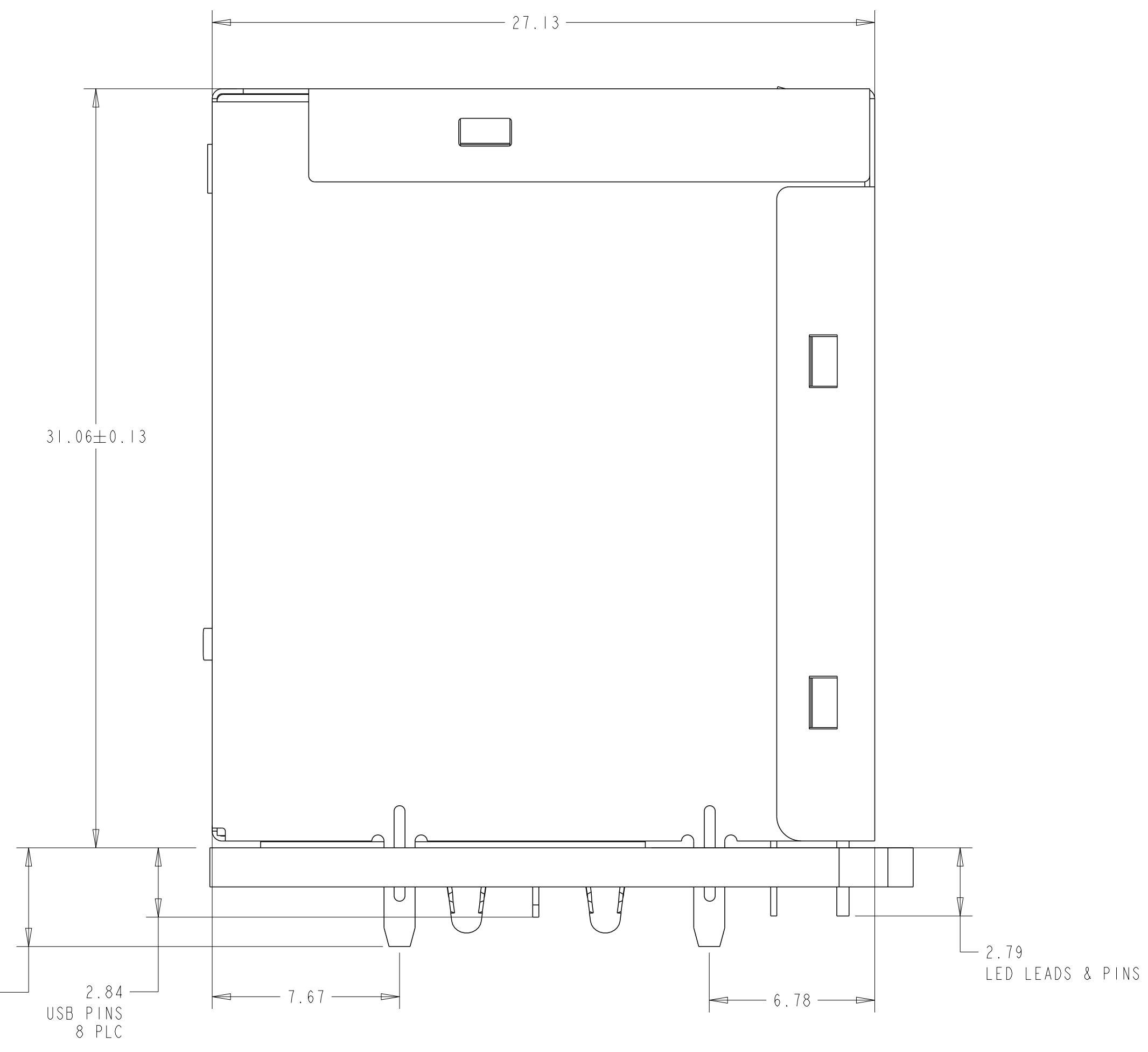
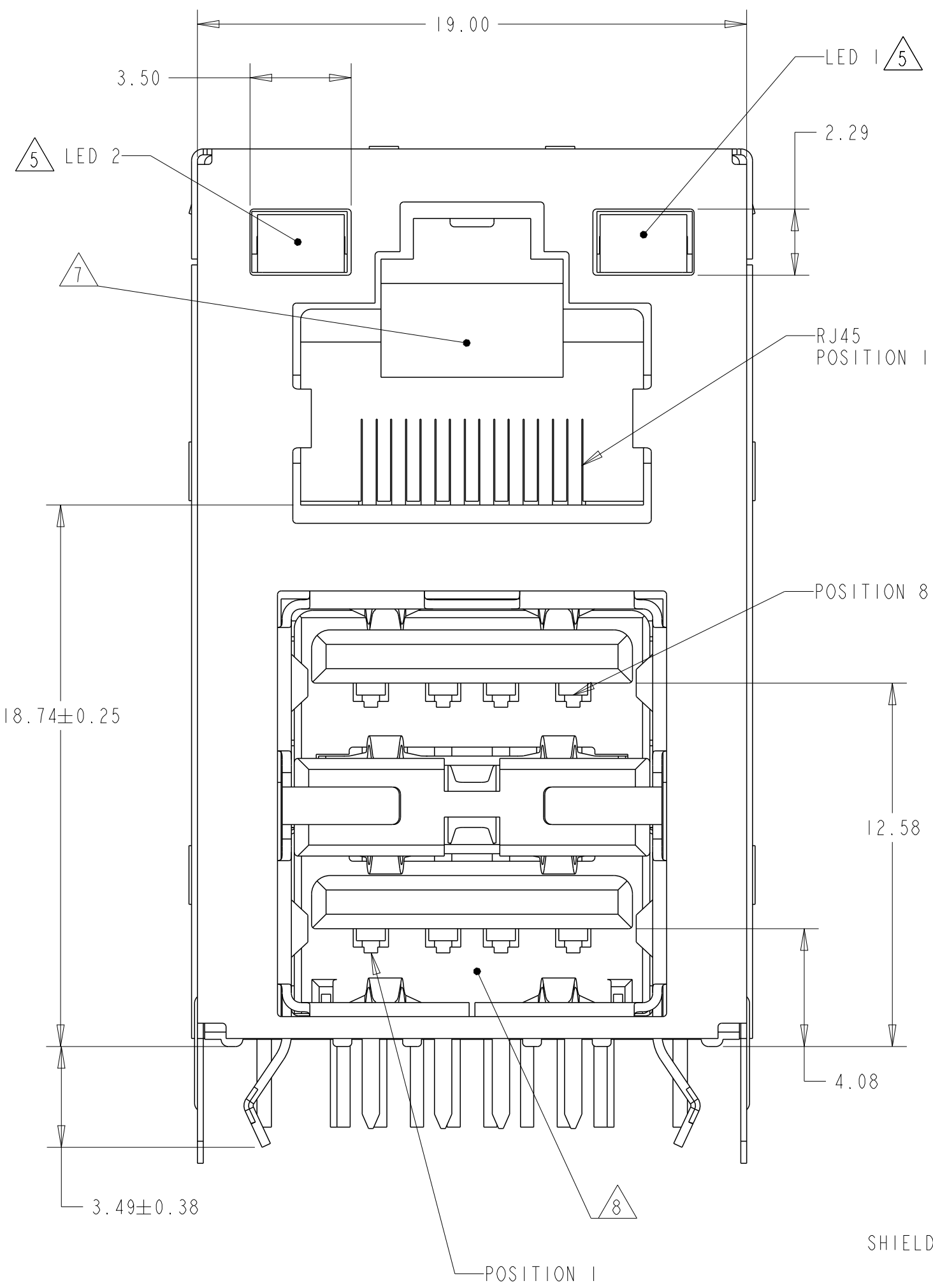


REVISIONS				
P	LTN	DESCRIPTION	DATE	OWN APVD
F		LOGO CHANGE	07APR2013	PP KZ



SCALE 4:1



1. USB MATERIALS:
 SHELL: BRASS, PLATED WITH 2.54µm MIN TIN
 HOUSING: BLACK, THERMOPLASTIC, GLASS FILLED, UL 94V-0 RATED
 CONTACT: PHOSPHOR BRONZE WITH SELECTIVE GOLD PLATING

RJ45 MATERIALS:
 PLASTIC HOUSING: BLACK, THERMOPLASTIC FLAMMABILITY RATING UL 94V-0
 SHIELD: BRASS, PLATED WITH 0.76 µm MIN SEMI-BRIGHT NICKEL,
 SELECTED TIN, 3.05 µm MIN ON SOLDER TAILS ONLY
 CONTACTS: PHOSPHOR BRONZE
 PLATING: 1.27 µm MIN OVERALL NICKEL UNDERPLATE WITH SELECT
 1.27 µm MIN GOLD AT MATING INTERFACE AND
 3.05 µm MIN MATTE TIN AND/OR SAC SOLDER DIP ON CONTACT TAILS.

LED - DIFFUSED EPOXY LENS, 0.5 x 0.5 CARBON STEEL WIREFRAME LEADS
 PRE-PLATED WITH 2.03 µm MIN SILVER OVER 1.02 µm MIN NICKEL UNDERPLATE
 OVER 1.02 µm MIN COPPER UNDERPLATE. POST-PLATE WITH 2.54 µm MIN
 MATTE TIN AND/OR SAC SOLDER DIP OR PURE TIN SOLDER DIP.

2. APPLICATION: 10/100 BASE-T
 MAGNETICS
 APPLICATION: 10/100 BASE-T
 IMPEDANCE: 100 OHMS
 TURNS RATIO (CHIP:CABLE): TX = 1:1, RX = 1:1
 OPEN CIRCUIT INDUCTANCE (OCL): 350µH MIN @100kHz, 0.1VRMS,
 8mADC BIAS FROM 0°C TO 70°C, TX AND RX
 PERFORMANCE @ 25°C:
 INSERTION LOSS (IL): 1.1dB MAX FROM 0.5MHz TO 100MHz
 RETURN LOSS (RL): 18dB MIN FROM 0.5MHz TO 30MHz
 18-20LOG(f/30)dB MIN FROM 30.1MHz TO 60MHz
 12dB MIN FROM 60.1MHz TO 80MHz
 CROSSTALK ATTENUATION: 35dB MIN FROM 0.5MHz TO 40MHz
 33-20LOG(f/50)dB MIN FROM 40.1MHz TO 100MHz
 COMMON MODE REJECTION RATIO (CMRR): 30dB MIN FROM 0.5MHz TO 100MHz
 ISOLATION VOLTAGE: COMPLIES WITH IEEE802.3 2002, PARA 23.5.1.1, ITEM b

3. PART NUMBER, DATE CODE, COUNTRY OF ORIGIN, LOCATED IN THE APPROXIMATE AREA SHOWN.
 DATE CODE YY IS YEAR, WW IS WORK WEEK, D IS DAY OF WEEK, WITH SUNDAY=1

4. TRP CONNECTOR LOGO, AGENCY APPROVAL MARKING LOGO LOCATED IN APPROXIMATE AREA SHOWN.

5. LED IS DRIVEN WITH 5V VOLTAGE AND THE MAX OPERATING CURRENT IS 20mA
 DOMINANT WAVE LENGTH (λD): GREEN 568 nm TYP. AT VF=5V
 FORWARD CURRENT (IF): GREEN 12mA AT VF=5V
 DOMINANT WAVE LENGTH (λD): YELLOW 588 nm TYP. AT VF=5V
 FORWARD CURRENT (IF): YELLOW 13mA TYP. AT VF=5V

6. DATUM LOCATION AND DIMENSION TO BE ESTABLISHED BY CUSTOMER

7. RJ45 CAVITY CONFORMS TO FCC RULES AND REGULATION PART 68 SUBPART F

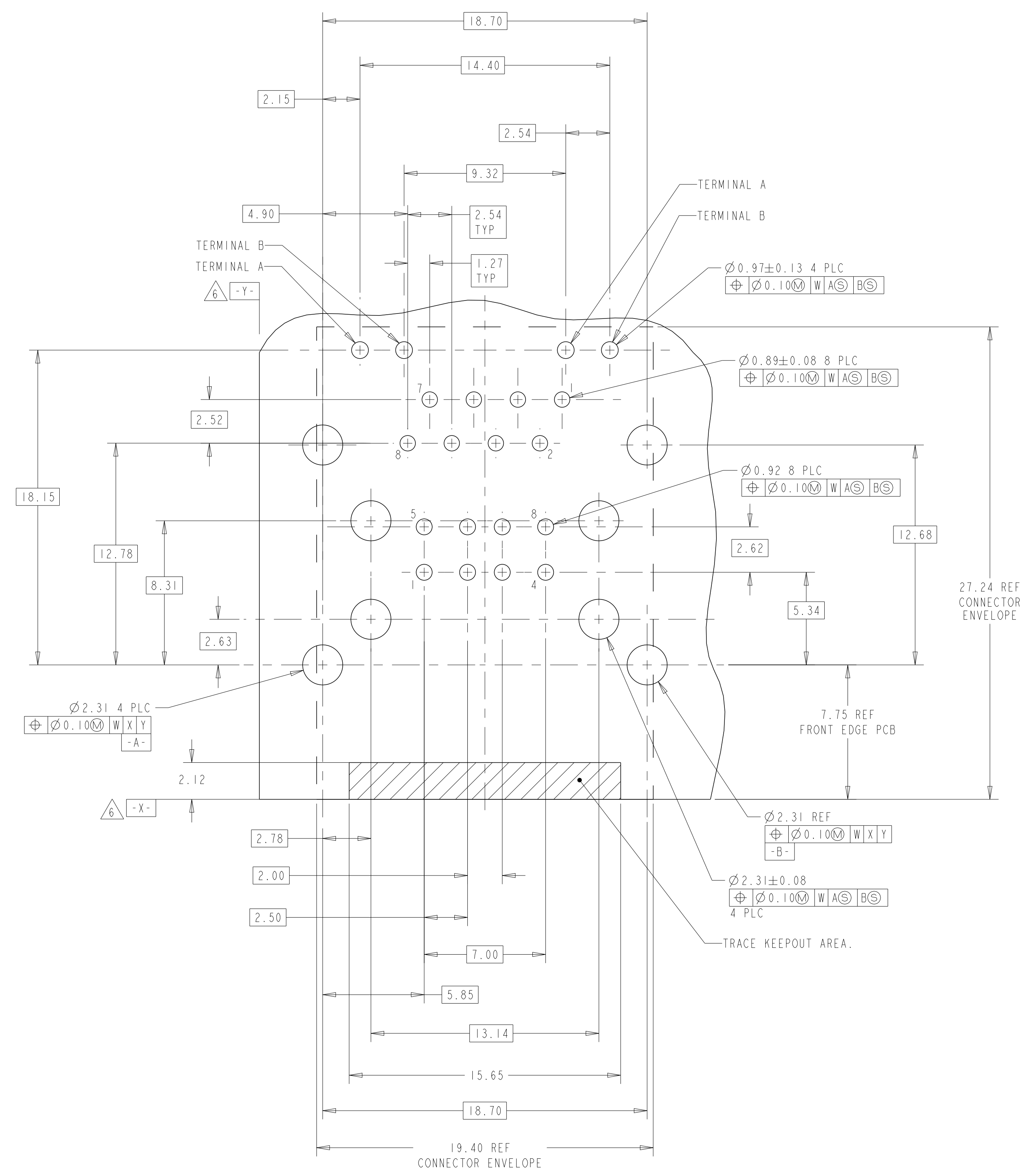
8. MATING INTERFACE COMPLIES WITH USB (UNIVERSAL SERIAL BUS) SPECIFICATION REV 2.0, UTILIZING TRP P/N 292323-1 WITH USB 2.0 CERTIFICATE TEST ID NO. 60000242

9. THE PARTS ARE RECOMMENDED FOR WAVE SOLDERING PROCESS, PEAK SOLDERING TEMPERATURE IS 260°C MAX, 10 SECONDS MAX.

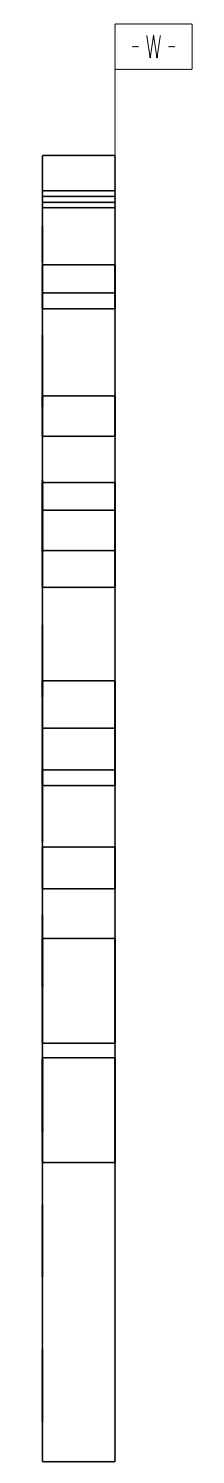
GREEN	GREEN/YELLOW	1840002-3
GREEN	GREEN	1840002-2
GREEN/YELLOW	GREEN	1840002-1
LED 2	LED 1	PART NUMBER

THIS DRAWING IS A CONTROLLED DOCUMENT.

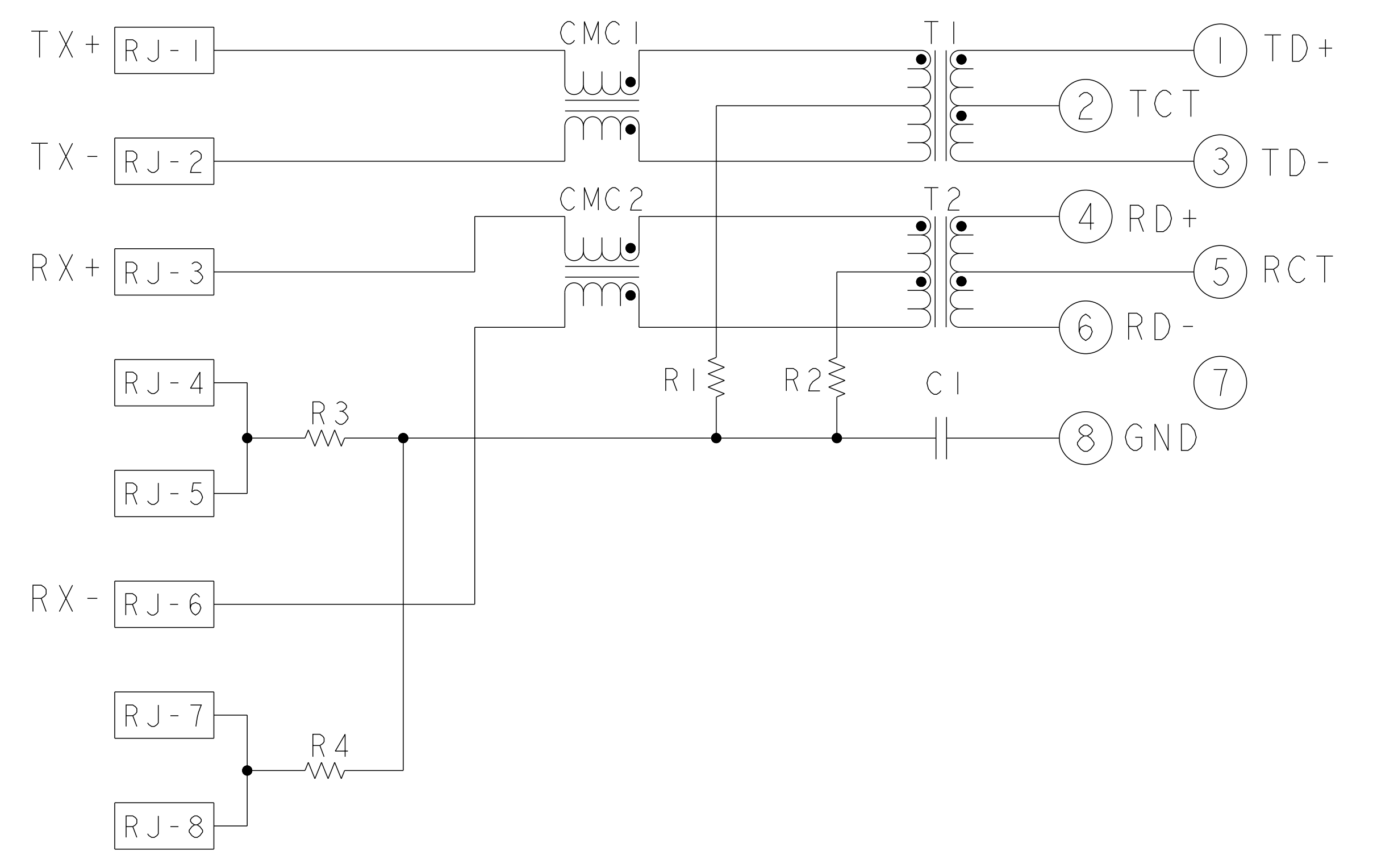
DIMENSIONS:	TOLERANCES UNLESS OTHERWISE SPECIFIED:	OWN L.A.MAYER 24MAR2005	TRP connector Dongguan China
mm	0 PLC ±	CHK P.D'AMATO 24MAR2005	
	1 PLC ±0.25	APVD S.FLICKINGER 24MAR2005	
	2 PLC ±		
	3 PLC ±	PRODUCT SPEC	NAME MAG RJ45 MOD JK OVER USB STKD RCPT, W/RES LED'S, UR226P22 SCHEMATIC, 10/100 ETHERNET MAG45
	4 PLC ±	APPLICATION SPEC	SIZE CAGE CODE DRAWING NO RESTRICTED TO
	ANGLES ±	WEIGHT	A1 C=1840002
MATERIAL SEE NOTE 1	FINISH SEE NOTE 1	CUSTOMER DRAWING	SCALE 6:1 SHEET 1 OF 2 REV F



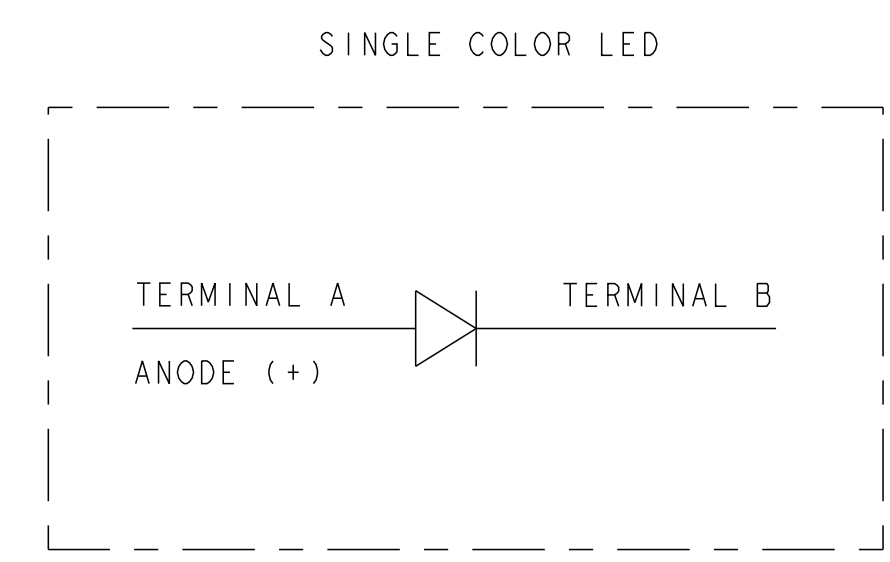
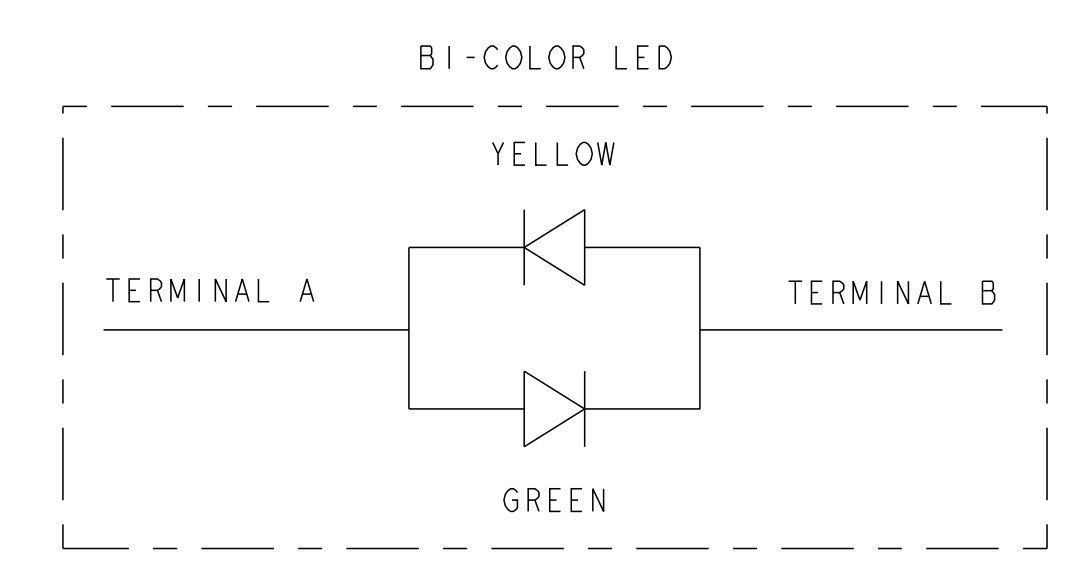
RECOMMENDED P.C.B. FOOTPRINT
 COMPONENT SIDE



CIRCUIT UR226P22 SCHEMATIC ⚠



R1 - R4 = 75 Ohms, 1/16W, 5% RESISTORS.
 C1 = 1000pF, 2kV DECOUPLING CAPACITOR.



THIS DRAWING IS A CONTROLLED DOCUMENT.		OWN L.A.MAYER 24MAR2005	 TRP connector Dongguan China
DIMENSIONS: mm		CHK P.D'AMATO 24MAR2005	
TOLERANCES UNLESS OTHERWISE SPECIFIED:		APVD S.FLICKINGER 24MAR2005	PRODUCT SPEC 108-2100
 0 PLC ± 1 PLC ± 2 PLC ±0.25 3 PLC ± 4 PLC ± ANGLES ± FINISH ±		MATERIAL SEE NOTE 1	NAME MAG RJ45 MOD JK OVER USB STKD RCPT, W/RES LED'S, UR226P22 SCHEMATIC, 107100 ETHERNET MAG45
MATERIAL SEE NOTE 1		FINISH SEE NOTE 1	SIZE A1
MATERIAL SEE NOTE 1		FINISH SEE NOTE 1	SCALE 6:1
MATERIAL SEE NOTE 1		FINISH SEE NOTE 1	SHEET 2 OF 2
MATERIAL SEE NOTE 1		FINISH SEE NOTE 1	REV F