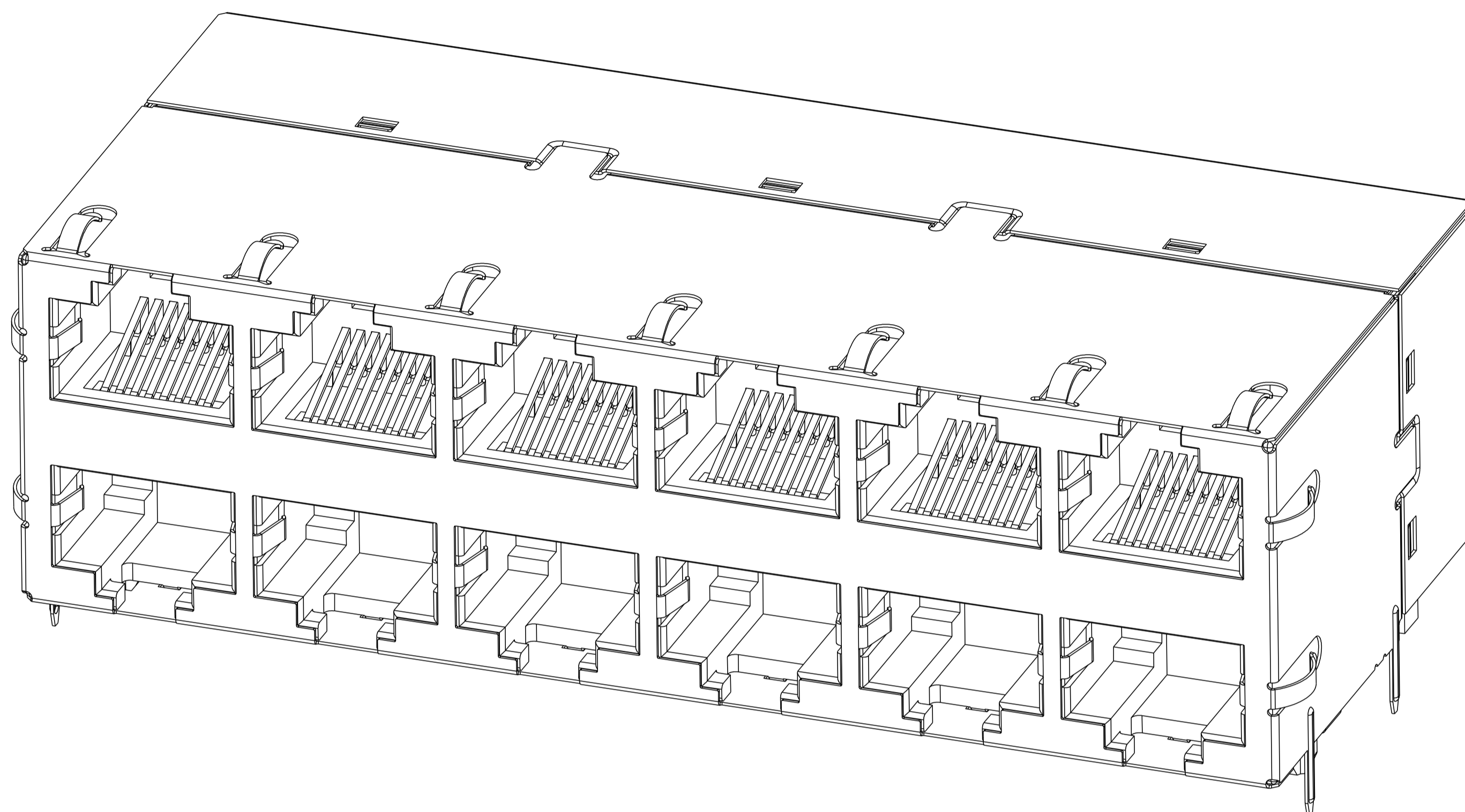
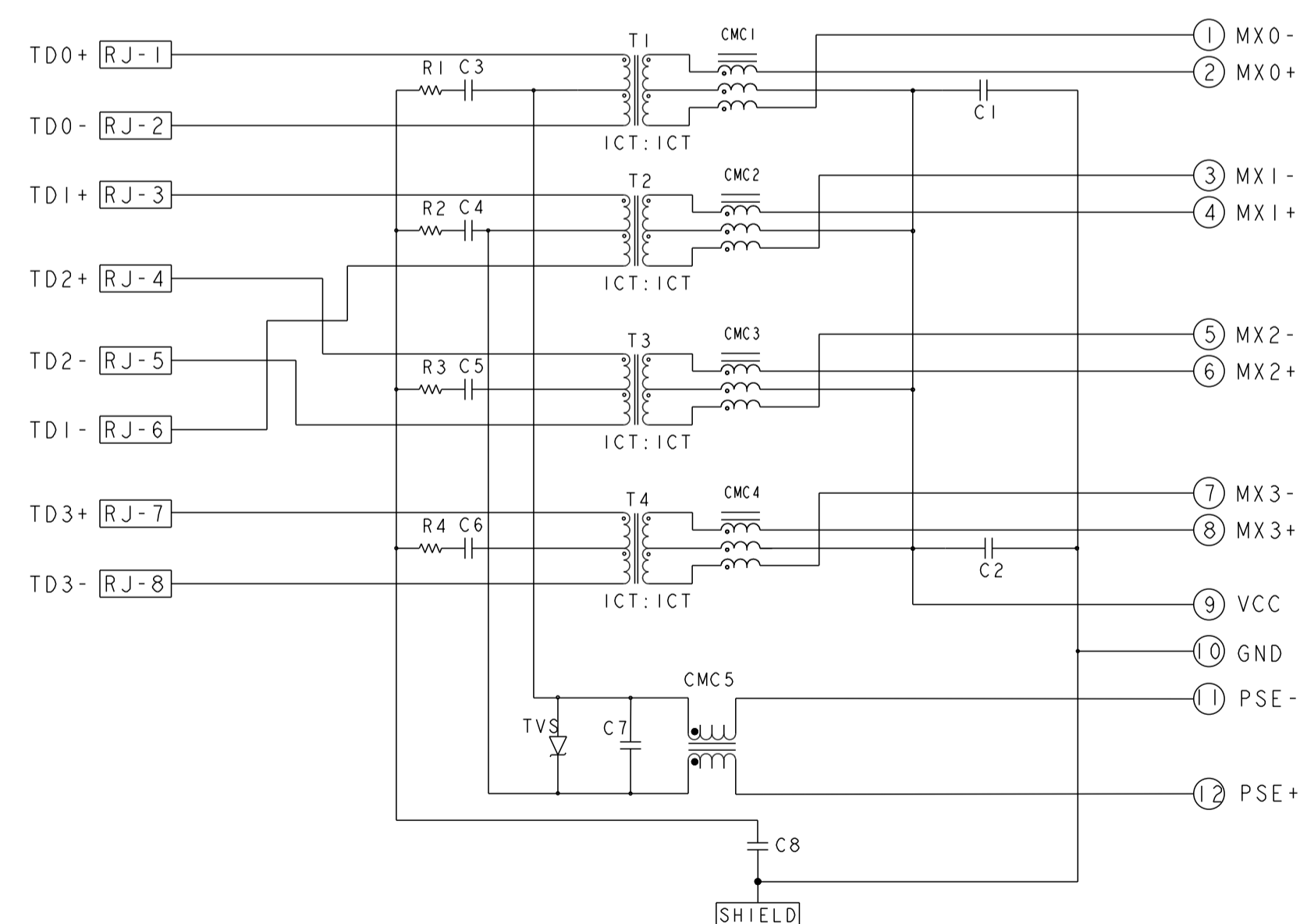


REVISIONS					
#	LTR	DESCRIPTION	DATE	DWN	APVD
C		LOGO CHANGE	18APR2013	RL	KZ



S9HG70ET GIGABIT PoE+ CIRCUIT $\Delta\Delta$
 TOP AND BOTTOM PORTS

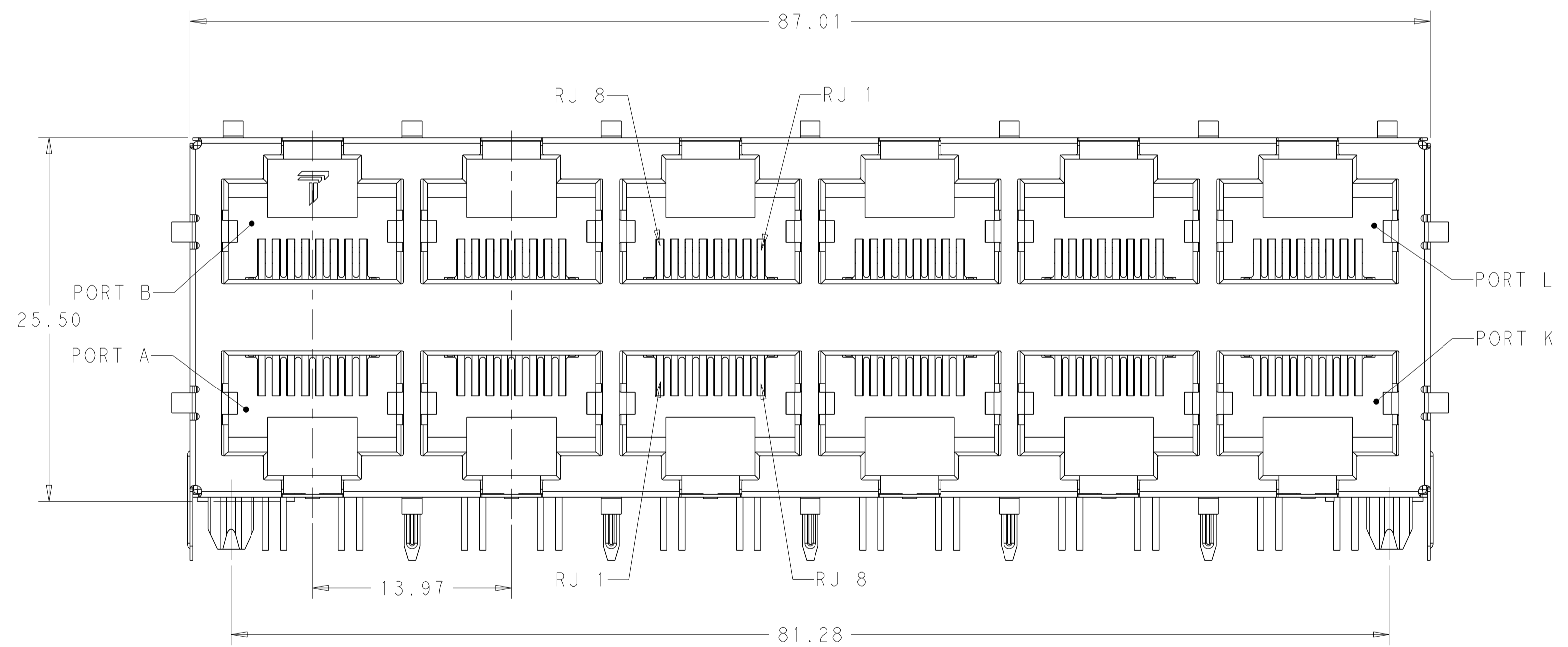
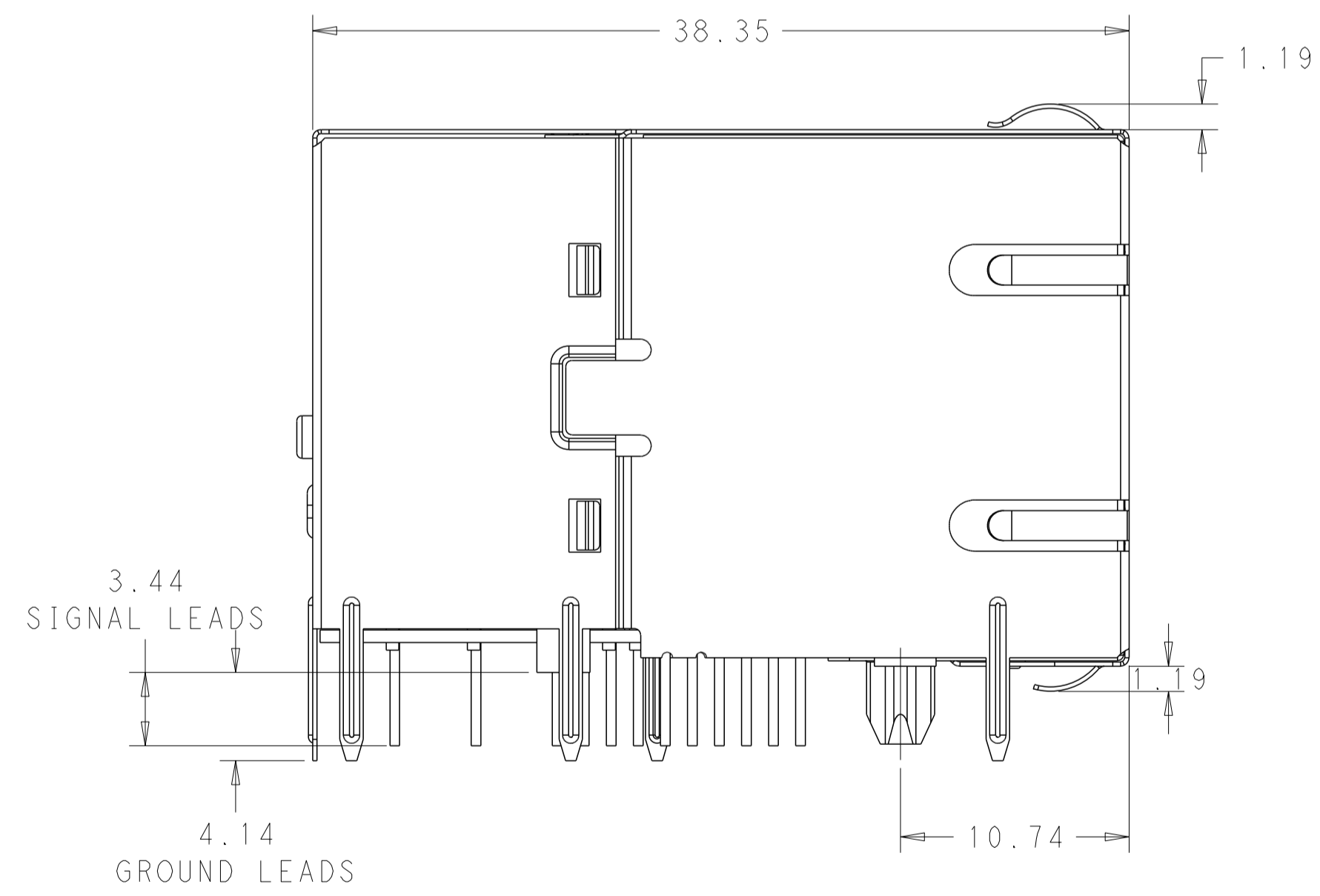
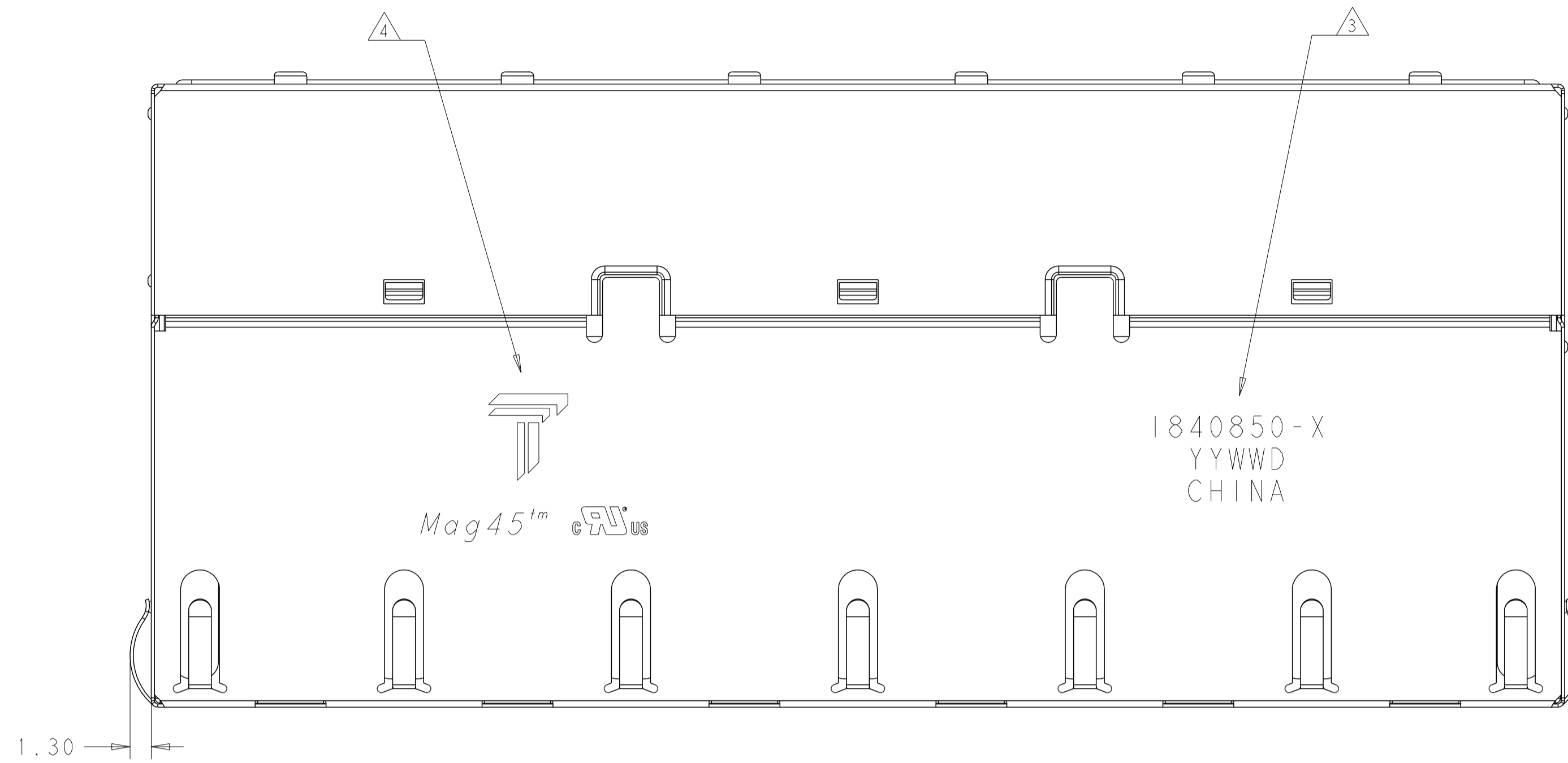


C1-C2 = 10nF, 50V, CAPACITORS
 C3-C6 = 22nF, 100V, CAPACITORS
 C7 = 100nF, 100V, CAPACITORS
 C8 = 1000pF, 2KV, DECOUPLING CAPACITOR
 R1-R4 = 75 Ohms, RESISTORS
 TVS = Vrsv:58V; Ipp:6.4A

1. MATERIALS:
 PLASTIC HOUSING: BLACK, THERMOPLASTIC FLAMMABILITY RATING UL 94V-0
 SHIELD: BRASS, PREPLATED WITH 0.76um MIN SEMI-BRIGHT NICKEL,
 POST DIPPED WITH 2.54um MIN SAC SOLDER ON SOLDER TAILS,
 CONTACTS: PHOSPHOR BRONZE, 1.27um MIN OVERALL NICKEL
 UNDERPLATE WITH SELECTED 0.762um MIN GOLD AT MATING INTERFACE
 AND 2.54um MIN MATTE TIN ON SOLDER TAILS.
 ALL PC BOARDS: HIGH TEMPERATURE PCB, TG>170°C
2. MAGNETICS
 APPLICATION: 10/100/1000 EXTENDED TEMPERATURE PoE PLUS
 IMPEDANCE: 100 OHMS
 TURNS RATIO (CHIP:CABLE): 1:1 ALL FOUR PAIRS
 OPEN CIRCUIT INDUCTANCE (OCL): 350uH MIN @100kHz, 0.1VRMS,
 20mADC BIAS FROM -40°C TO 85°C, ACROSS RJ1-RJ2 & RJ3-RJ6
 8mADC BIAS FROM -40°C TO 85°C, ACROSS RJ4-RJ5 & RJ7-RJ8
 ALL FOUR PAIRS BI-DIRECTIONAL
 POE CURRENT: 1. RATED CURRENT: 600 mA; 2. MAXIMUM CURRENT: 840 mA.
 PERFORMANCE @ 25°C:
 INSERTION LOSS (IL): 1.5dB MAX FROM 0.5MHz TO 100MHz
 RETURN LOSS (RL): 18dB MIN FROM 0.5MHz TO 40MHz
 12-20LOG(f/80)dB MIN FROM 40.1MHz TO 100MHz
 CROSSTALK ATTENUATION: 35dB MIN FROM 0.5MHz TO 40MHz
 33-20LOG(f/50)dB MIN FROM 40.1MHz TO 100MHz
 COMMON MODE REJECTION RATIO (CMRR): 30dB MIN FROM 0.5MHz TO 100MHz
 ISOLATION VOLTAGE: 2250VDC(MAX) FOR 60 SECONDS WITH A RISE TIME OF
 500V/SEC AND WITH ALL PORTS CONNECTED.
3. PART NUMBER, DATE CODE AND COUNTRY OF ORIGIN ARE
 LOCATED IN APPROXIMATE AREA SHOWN. DATE CODE: YYWW "YY" IS YEAR, "WW"
 IS WORK WEEK, "D" IS DAY OF WEEK, WITH SUNDAY=1
4. TRP CONNECTOR LOGO AND AGENCY APPROVAL LOGO ARE
 LOCATED IN APPROXIMATE AREA SHOWN.
5. OPERATING TEMP: FROM -40°C TO 85°C.
6. RJ45 CAVITY CONFORMS TO FCC RULES AND REGULATION PART 68 SUBPART F.
7. INDICATED MAGNETIC CONNECTIONS ARE SYMMETRICAL AND
 SUPPORT AUTO-MDI/MDIX.
8. DATUM AND BASIC DIMENSION ESTABLISHED BY CUSTOMER.
9. BASIC DIMENSION ESTABLISHED BY CUSTOMER, BUT MAY NOT BE
 GREATER THAN 5.08mm.
10. THE PARTS ARE RECOMMENDED FOR WAVE SOLDERING PROCESS,
 PEAK TEMPERATURE 260°C MAX, 10 SECONDS MAX.

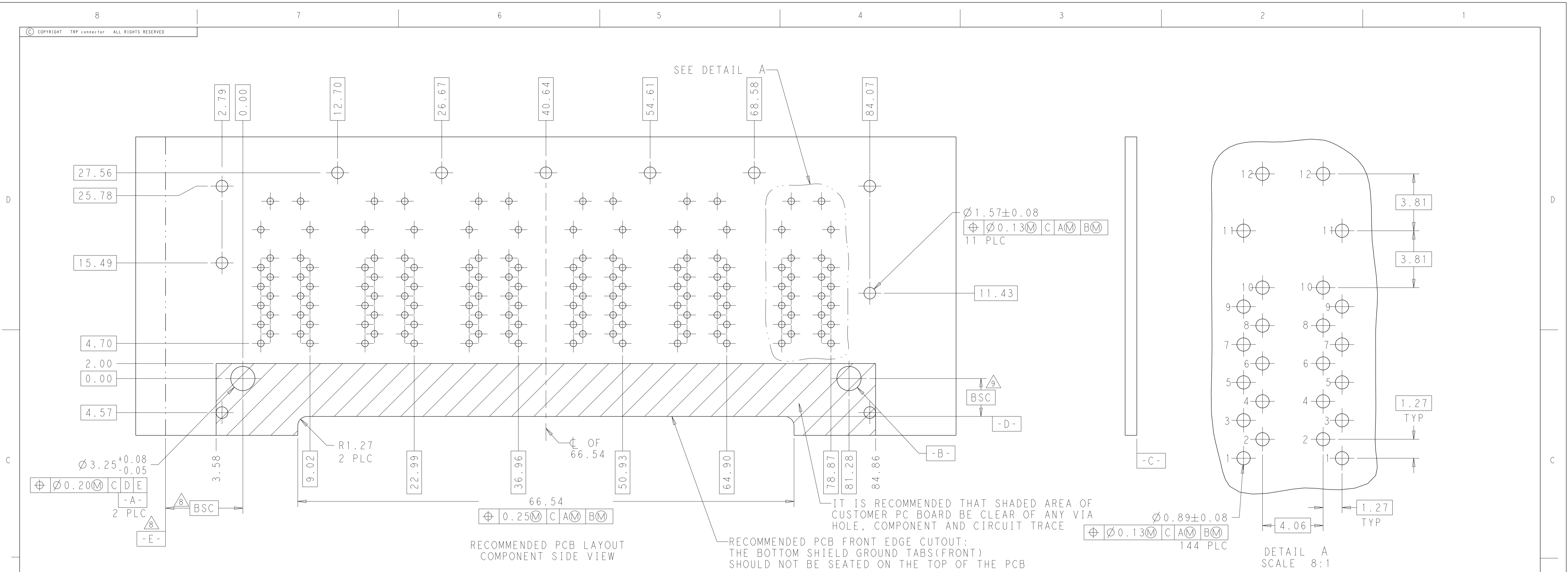
1840850-1
 PART
 NUMBER

THIS DRAWING IS A CONTROLLED DOCUMENT.		DWN: TOMMY RENJING LI 02NOV2010		TRP connector Dongguan China	
DIMENSIONS: mm		CHK: TONY YUAN 02NOV2010			
DIMENSIONS: mm 0 PLC ± 1 PLC ± 2 PLC ±0.25 3 PLC ± 4 PLC ± ANGLE ±		TOLERANCES UNLESS OTHERWISE SPECIFIED: PRODUCT SPEC 108-104004 APPLICATION SPEC		NAME: 2X6 MAG45(TM), GIGABIT PoE PLUS S9HG70ET CIRCUIT, W/O LED TYPE	
MATERIAL: -		FINISH: -		SIZE: A1 CAGE CODE: - DRAWING NO: C=1840850 RESTRICTED TO: -	
CUSTOMER DRAWING		SCALE: NTS		SHEET 1 OF 4 REV C	



THIS DRAWING IS A CONTROLLED DOCUMENT.

DIMENSIONS: mm 		TOLERANCES UNLESS OTHERWISE SPECIFIED: 0 PLC ± 1 PLC ± 2 PLC ±0.25 3 PLC ± 4 PLC ± ANGLES ± FINISH ±		DWN: TOMMY REN/KG L L 02NOV2010 CHK: TONY YUAN 02NOV2010 APVD: KEITH ZHU 02NOV2010		TRP connector Dongguan China	
MATERIAL: - FINISH: -		PRODUCT SPEC: 108-104004 APPLICATION SPEC: -		NAME: 2X6 MAG45(TM), GIGABIT PoE PLUS S9HG70ET CIRCUIT, W/O LED TYPE		SIZE: A1 CAGE CODE: - DRAWING NO: C=1840850	
CUSTOMER DRAWING		WEIGHT: -		SCALE: NTS		SHEET 2 OF 4 REV C	

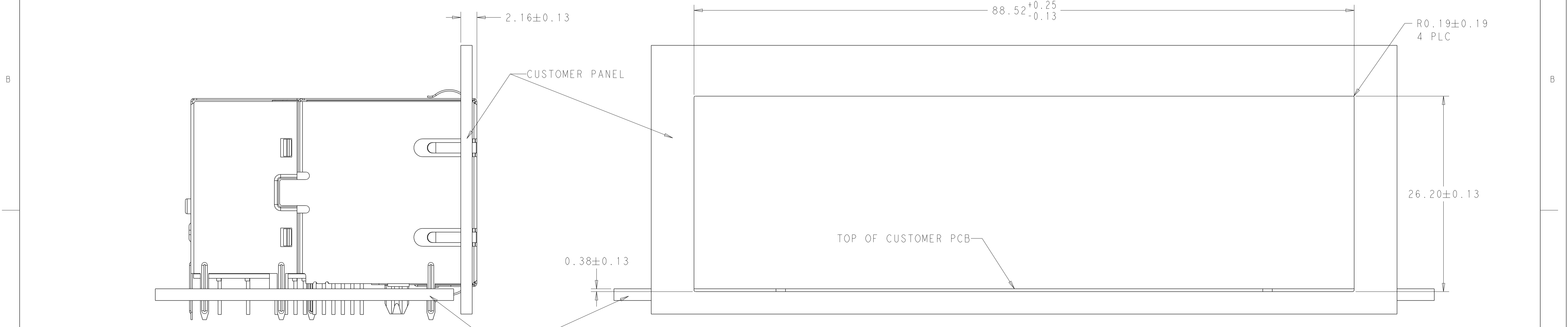


RECOMMENDED PCB LAYOUT COMPONENT SIDE VIEW

RECOMMENDED PCB FRONT EDGE CUTOUT:
THE BOTTOM SHIELD GROUND TABS(FRONT)
SHOULD NOT BE SEATED ON THE TOP OF THE PCB

IT IS RECOMMENDED THAT SHADED AREA OF
CUSTOMER PC BOARD BE CLEAR OF ANY VIA
HOLE, COMPONENT AND CIRCUIT TRACE

DETAIL A
SCALE 8:1

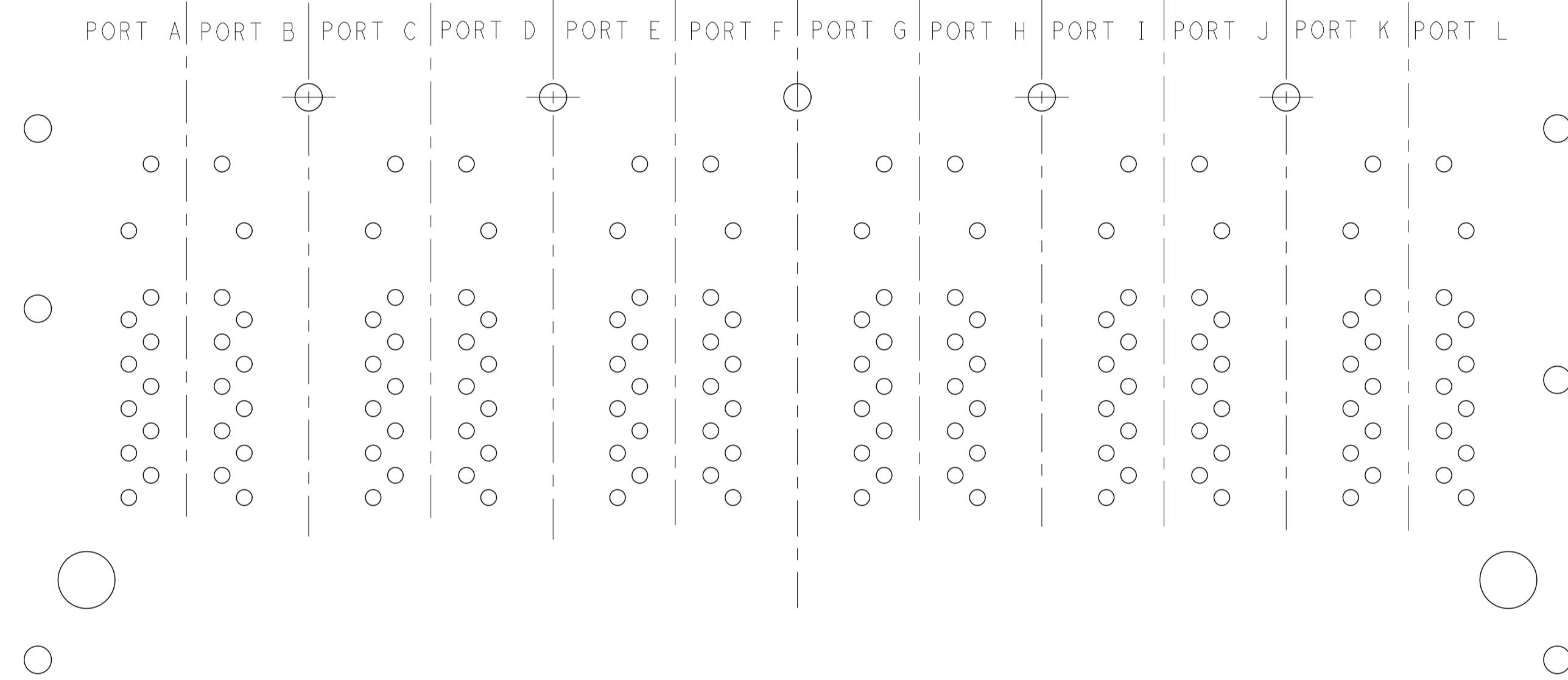


SUGGESTED PANEL CUTOUT DIMENSIONS

SHOWN WITH PANEL AND CUSTOMER PCB ASSEMBLY

CUSTOMER PCB

THIS DRAWING IS A CONTROLLED DOCUMENT.		DWN: TOMMY RENJING LI 02NOV2010		TRP connector Dongguan China	
		CHK: TONY YUAN 02NOV2010			
DIMENSIONS:		TOLERANCES UNLESS OTHERWISE SPECIFIED:		PRODUCT SPEC	
mm				108-104004	
		0 PLC ± 1 PLC ± 2 PLC ±0.25 3 PLC ± 4 PLC ±		NAME: 2X6 MAG45(TM), GIGABIT PoE PLUS S9HG70ET CIRCUIT, W/O LED TYPE	
MATERIAL:		FINISH:		APPLICATION SPEC	
				SIZE: A1	
				CAGE CODE: C=1840850	
				RESTRICTED TO:	
				CUSTOMER DRAWING	
				SCALE: NTS	
				SHEET 3 OF 4	
				REV C	



PORT ASSIGNMENT
 COMPONENT SIDE VIEW

THIS DRAWING IS A CONTROLLED DOCUMENT.		DNW TOMMY REN/KG LL	02NOV2010	 TRP connector Dongguan China
		CHK TONY YUAN	02NOV2010	
		APVD KEITH ZHU	02NOV2010	
DIMENSIONS:	TOLERANCES UNLESS OTHERWISE SPECIFIED:	PRODUCT SPEC	NAME	
mm	0 PLC ±	108-104004	2X6 MAG45(TM), GIGABIT PoE PLUS	
	1 PLC ±	APPLICATION SPEC	S9HG70ET CIRCUIT, W/O LED TYPE	
	2 PLC ±0.25	SIZE	A 1	CAGE CODE
	3 PLC ±	DRAWING NO	C=1840850	
	4 PLC ±	RESTRICTED TO	-	
MATERIAL	FINISH	WEIGHT	CUSTOMER DRAWING	
-	-	-	SCALE	NTS
			SHEET	4 OF 4
			REV	C