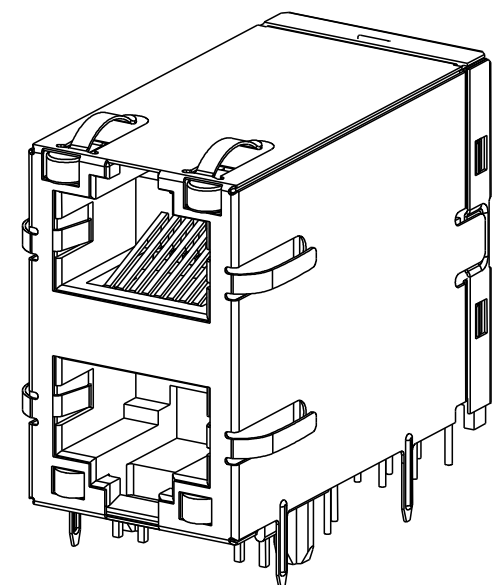


REVISIONS					
P	LYR	DESCRIPTION	DATE	DWN	APVD
D		LOGO CHANGE	02APR2013	TR	KZ



1. MATERIALS:
 PLASTIC HOUSING: BLACK, THERMOPLASTIC FLAMMABILITY RATING UL 94V-0
 SHIELD: BRASS, PREPLATED WITH 0.76um MIN SEMI-BRIGHT NICKEL,
 POST DIPPED WITH 2.54um MIN SAC SOLDER ON SOLDER TAILS,
 CONTACTS: PHOSPHOR BRONZE, 1.27um MIN OVERALL NICKEL
 UNDERPLATE WITH SELECTED 1.27um MIN GOLD AT MATING INTERFACE
 AND 2.54um MIN MATTE TIN ON SOLDER TAILS.

2. MAGNETICS
 APPLICATION: 10/100/1000 BASE-T
 IMPEDANCE: 100 OHMS
 TURNS RATIO (CHIP:CABLE): 1:1 ALL FOUR PAIRS
 OPEN CIRCUIT INDUCTANCE (OCL): 350uH MIN @100kHz, 0.1VRMS,
 8mADC BIAS FROM 0°C TO 70°C, ALL FOUR PAIRS
 ALL FOUR PAIRS B1-DIRECTIONAL
 PERFORMANCE @ 25°C:
 INSERTION LOSS (IL): 1.1dB MAX FROM 0.5MHz TO 100MHz
 RETURN LOSS (RL): 18dB MIN FROM 0.5MHz TO 40MHz
 12-20LOG(f/80)dB MIN FROM 40.1MHz TO 100MHz
 CROSSTALK ATTENUATION: 35dB MIN FROM 0.5MHz TO 40MHz
 33-20LOG(f/50)dB MIN FROM 40.1MHz TO 100MHz
 COMMON MODE REJECTION RATIO (CMRR): 30dB MIN FROM 0.5MHz TO 100MHz
 ISOLATION VOLTAGE: 2250VDC(MAX) FOR 60 SECONDS WITH A RISE TIME OF
 500V/SEC AND WITH ALL PORTS CONNECTED.

3. PART NUMBER, DATE CODE, COUNTRY OF ORIGIN, AGENCY
 APPROVAL MARKING IN APPROPRIATE LOCATION SHOWN. DATE CODE: "YY"
 IS YEAR, "WW" IS WORK WEEK, "D" IS DAY OF WEEK, WITH SUNDAY=1

4. TRP LOGO AND AGENCY APPROVAL LOGO AND PRODUCT LOGO ARE
 LOCATED IN APPROXIMATE AREA SHOWN.

5. OPERATING TEMPERATURE: FROM 0°C TO +70°C.

6. RJ45 CAVITY CONFORMS TO FCC RULES AND REGULATION PART 68 SUBPART F.

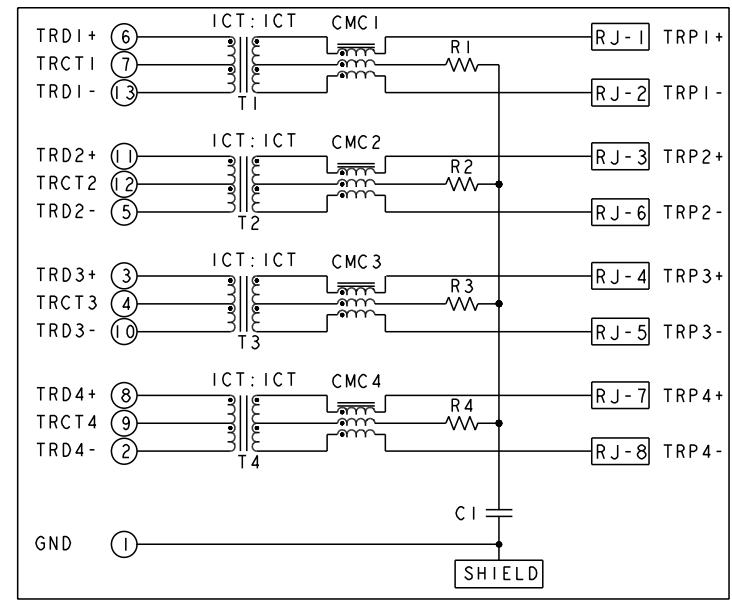
7. INDICATED MAGNETIC CONNECTIONS ARE SYMMETRICAL AND
 SUPPORT AUTO-MDI/MDIX.

8. DATUM AND BASIC DIMENSION ESTABLISHED BY CUSTOMER.

9. LED COLOR:
 DOMINANT WAVELENGTH (λD): GREEN 568 nm TYP. @ IF=20mA
 FORWARD VOLTAGE (VF): GREEN 2.2V TYP. @ IF=20mA
 DOMINANT WAVELENGTH (λD): YELLOW 588 nm TYP. @ IF=20mA
 FORWARD VOLTAGE (VF): YELLOW 2.1V TYP. @ IF=20mA

10. THE PARTS ARE RECOMMENDED FOR WAVE SOLDERING PROCESS,
 PEAK TEMPERATURE 260°C MAX, 10 SECONDS MAX.

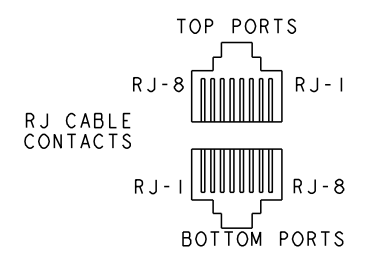
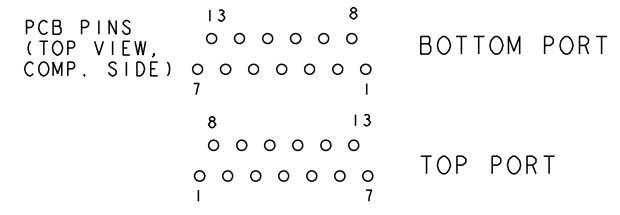
S8G80 GIGABIT CIRCUIT



C1 = 1000pF, 2kV, X7R DECOUPLING CAPACITOR
 R1-R4 = 75 Ohms, 1/16W, RESISTORS

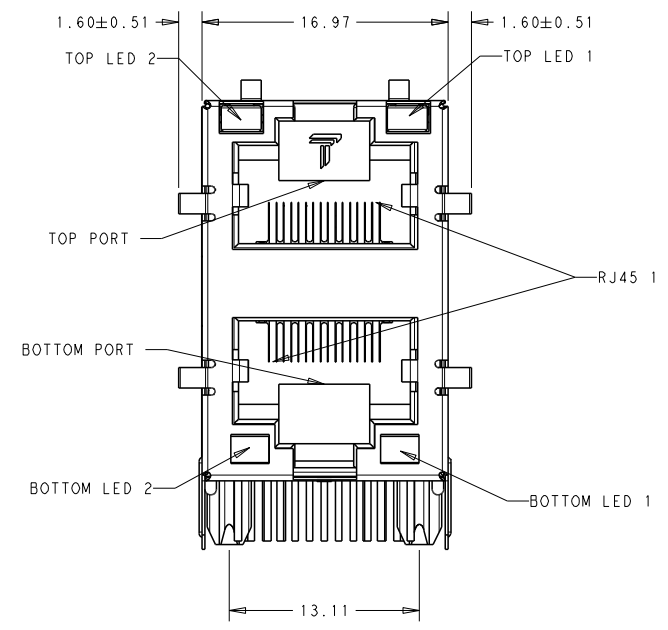
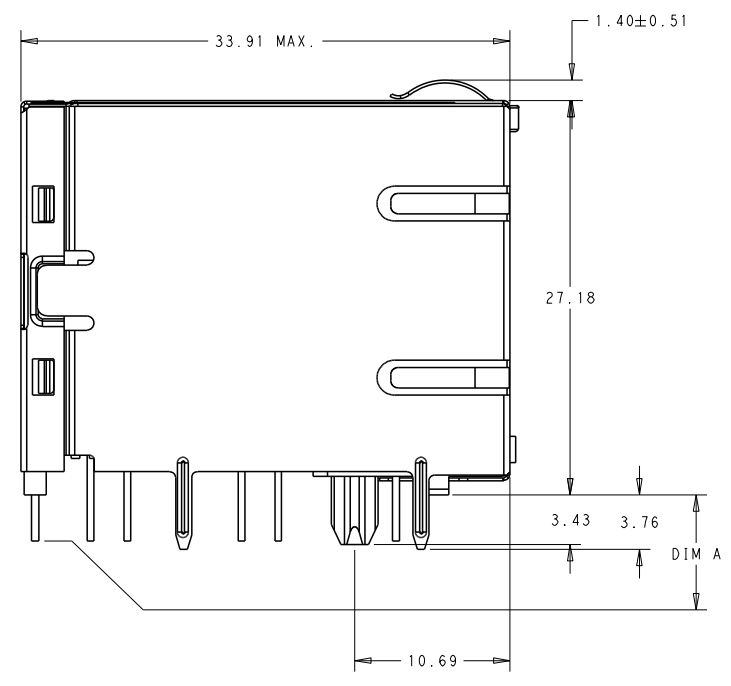
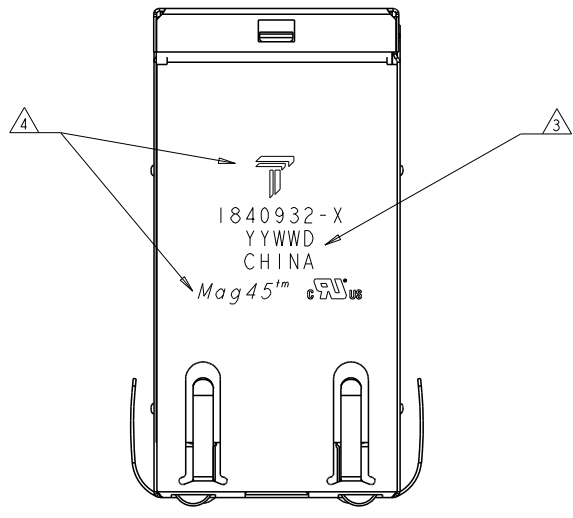
PIN DESIGNATIONS

(REPEAT FOR EACH VERTICAL PAIR OF PORTS)

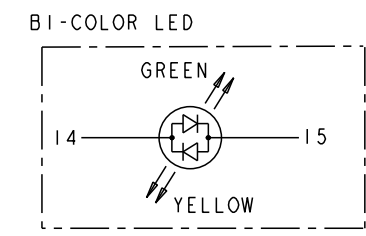
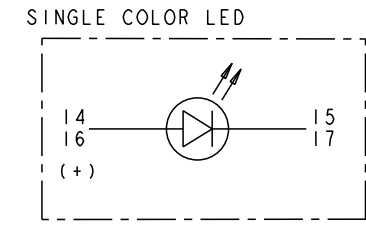
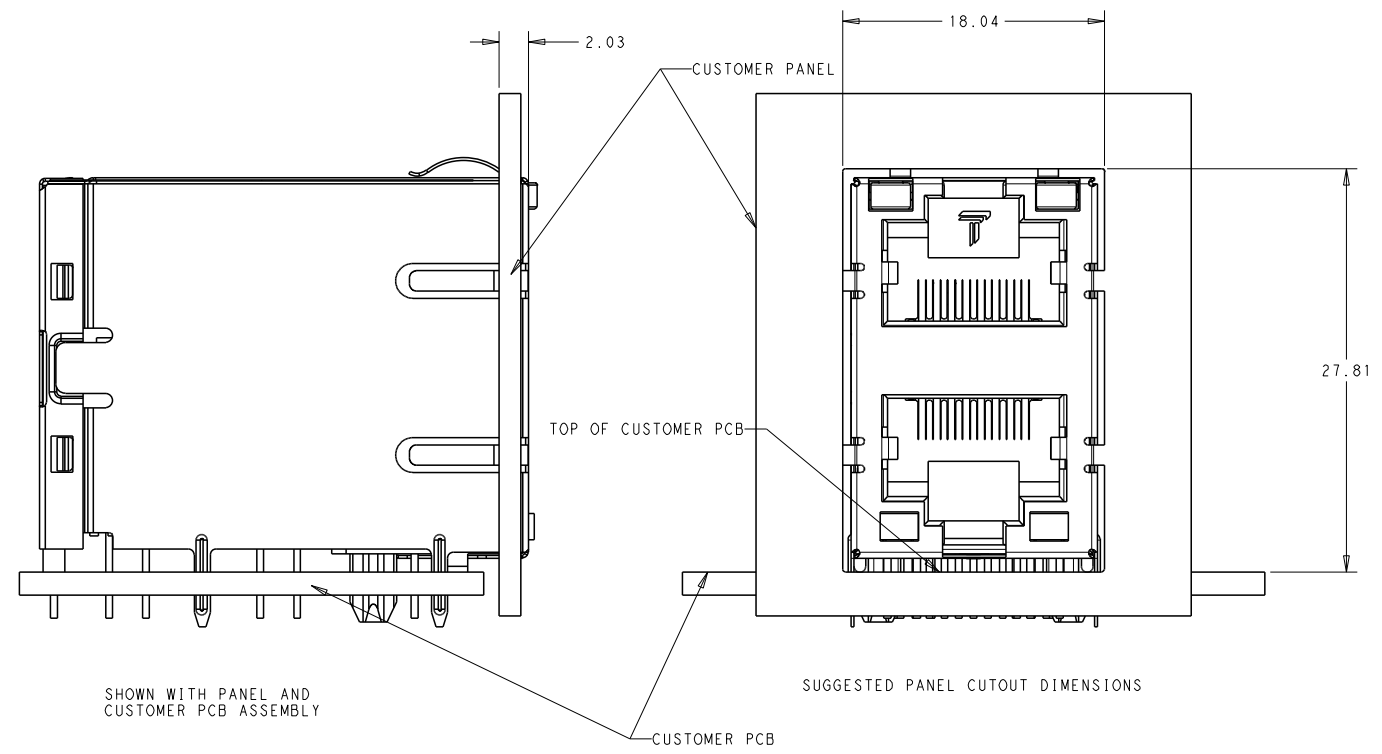
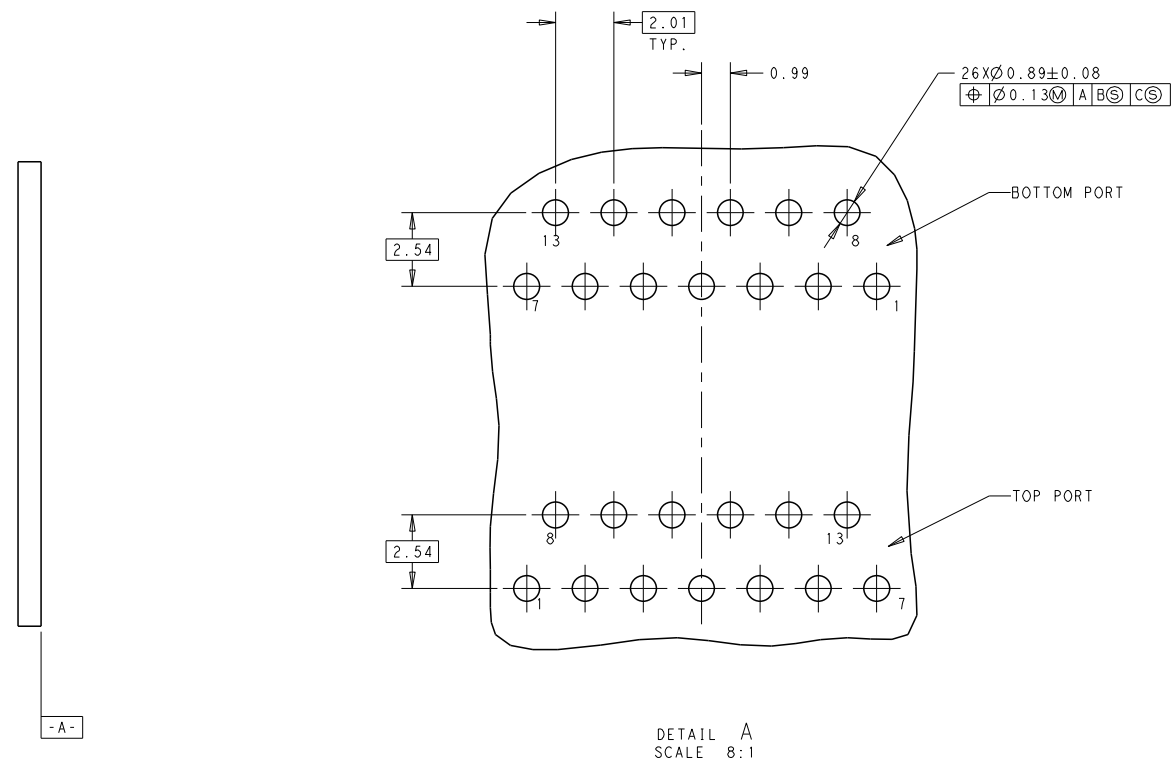
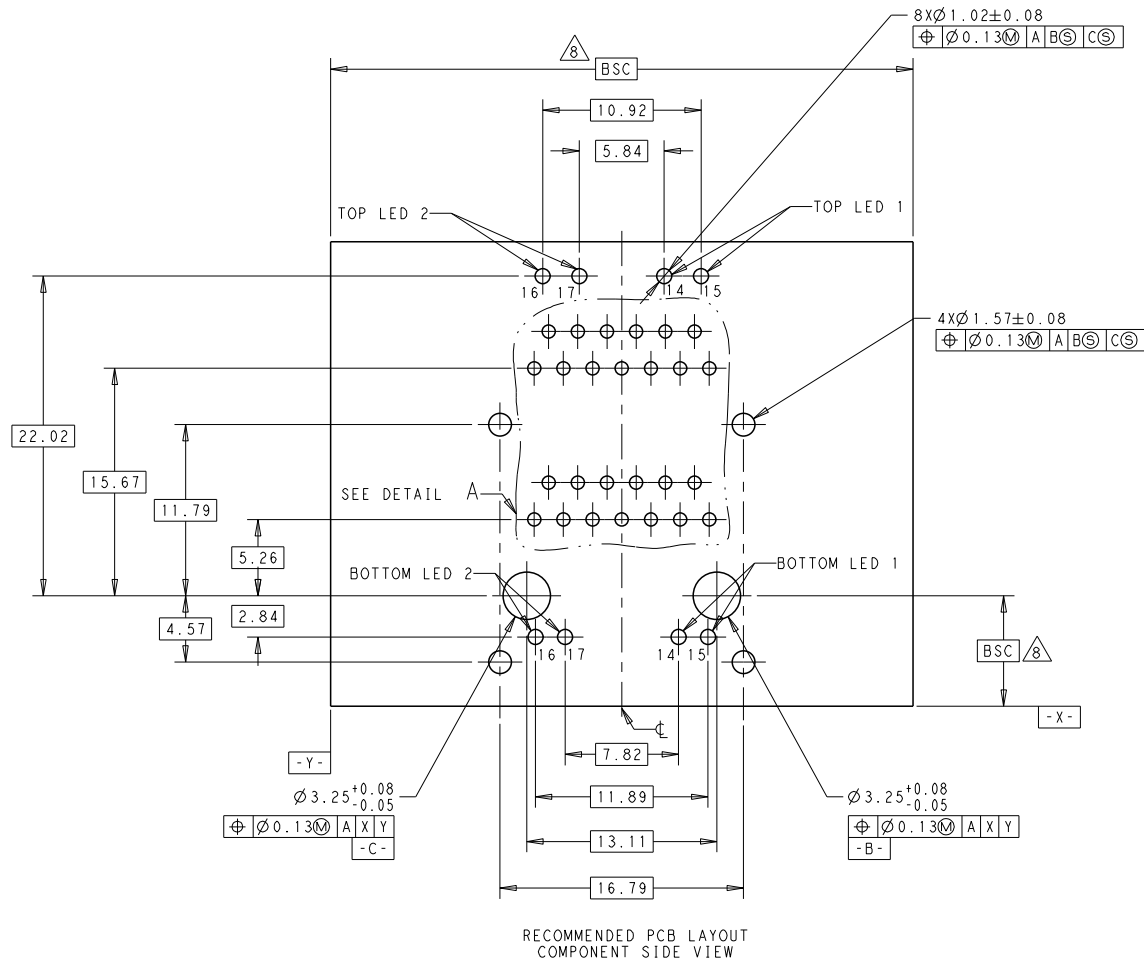


DIM A	BOTTOM LED2 COLOR	BOTTOM LED1 COLOR	TOP LED2 COLOR	TOP LED1 COLOR	PART NUMBER
3.18	GREEN	GREEN/YELLOW	GREEN	GREEN/YELLOW	1840932-8
3.18	GREEN	GREEN	GREEN	GREEN	1840932-1

THIS DRAWING IS A CONTROLLED DOCUMENT.		DATE: 26 JAN 2010	TRP connector Dongguan China
DRAWN: RICHARD QIAN	CHK: FRANK LIU	26 JAN 2010	
APVD: LI JUN RAO		26 JAN 2010	
DIMENSIONS: mm	TOLERANCES UNLESS OTHERWISE SPECIFIED:	PRODUCT SPEC	NAME: 2X1 MAG45(TM), GIGABIT S8G80 CIRCUIT WAVE PANEL, GROUND SHIELD, WITH LED
0 PLC ±	1 PLC ±	108-104004	SIZE: A1
2 PLC ±0.25	2 PLC ±	APPLICATION SPEC	CAGE CODE: 1840932
3 PLC ±	3 PLC ±		SCALE: 4:1
4 PLC ±	4 PLC ±		SHEET 1 OF 3
ANGLES ±	ANGLES ±		REV D
MATERIAL:	FINISH:	WEIGHT:	CUSTOMER DRAWING



THIS DRAWING IS A CONTROLLED DOCUMENT.		DWN: RICHARD QIAN 26JAN2010 CHK: FRANK LIU 26JAN2010 APVD: LI JUN RAO 26JAN2010	TRP connector Dongguan China
DIMENSIONS: mm	TOLERANCES UNLESS OTHERWISE SPECIFIED: 0 PLC ± 1 PLC ± 2 PLC ±0.25 3 PLC ± 4 PLC ± ANGLES ±	PRODUCT SPEC: 108-104004 APPLICATION SPEC:	NAME: 2X1 MAG45(TM), GIGABIT S8G80 CIRCUIT WAVE PANEL, GROUND SHIELD, WITH LED SIZE: A1 CAGE CODE: C=1840932 DRAWING NO: 1840932
MATERIAL: -	FINISH: -	WEIGHT: -	RESTRICTED TO: -
CUSTOMER DRAWING		SCALE: 4:1	SHEET 2 OF 3 REV D



THIS DRAWING IS A CONTROLLED DOCUMENT.		DATE: 26 JAN 2010	 TRP connector Dongguan China
DIMENSIONS: mm		CHK: RICHARD QIAN 26 JAN 2010	
TOLERANCES UNLESS OTHERWISE SPECIFIED:		CHK: FRANK LIU 26 JAN 2010	
0 PLC ±	1 PLC ±	APPROVED: LI JUN RAO 26 JAN 2010	NAME: 2X1 MAG45(TM), GIGABIT S8G80 CIRCUIT WAVE PANEL, GROUND SHIELD, WITH LED
2 PLC ±0.25	3 PLC ±	PRODUCT SPEC: 108-104004	APPLICATION SPEC:
4 PLC ±	ANGLES ±	MATERIAL:	FINISH:
MATERIAL:		WEIGHT:	SIZE: A1
FINISH:		SCALE: 4:1	CAGE CODE: C=1840932
CUSTOMER DRAWING		SCALE: 4:1	RESTRICTED TO: -
		SHEET 3 OF 3	REV D