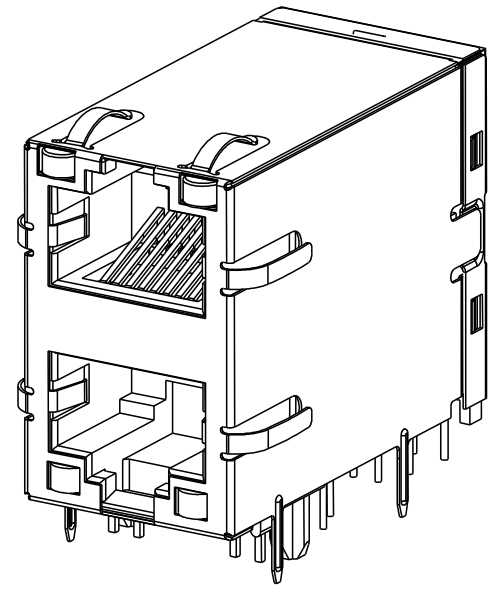
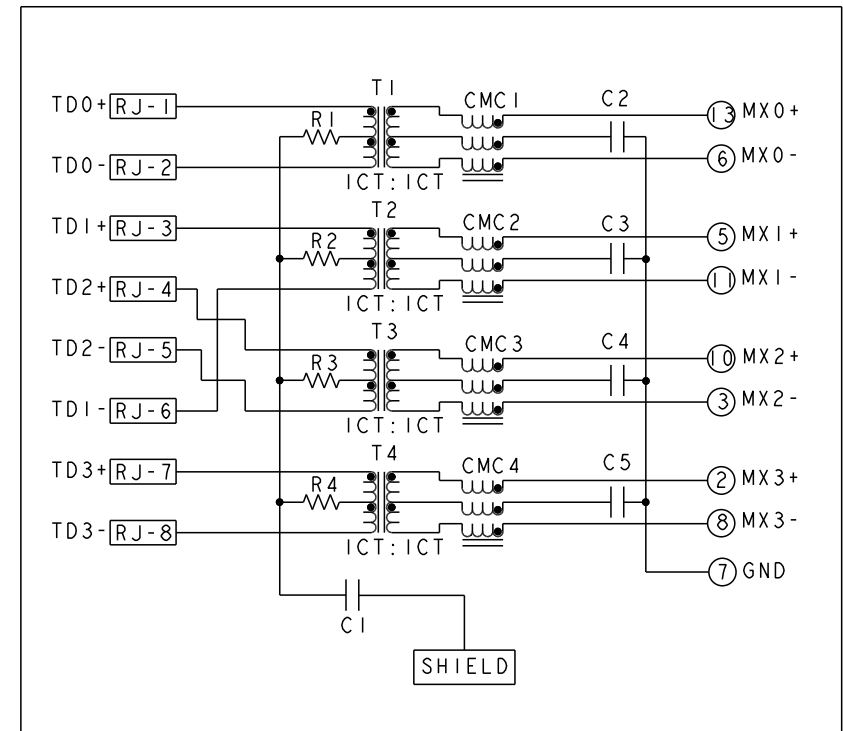


REVISONS					
P	LYR	DESCRIPTION	DATE	DWN	APVD
B		LOGO CHANGE	02APR2013	TR	KZ



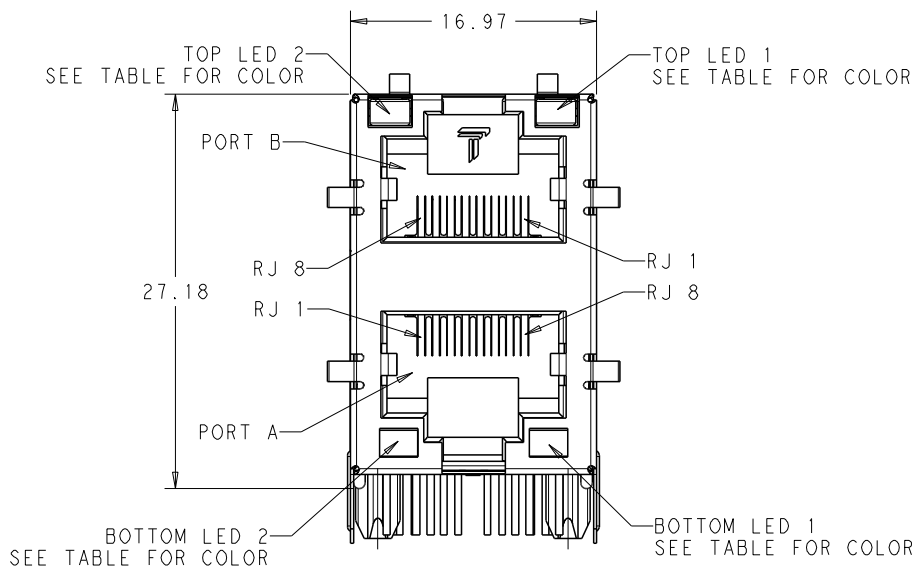
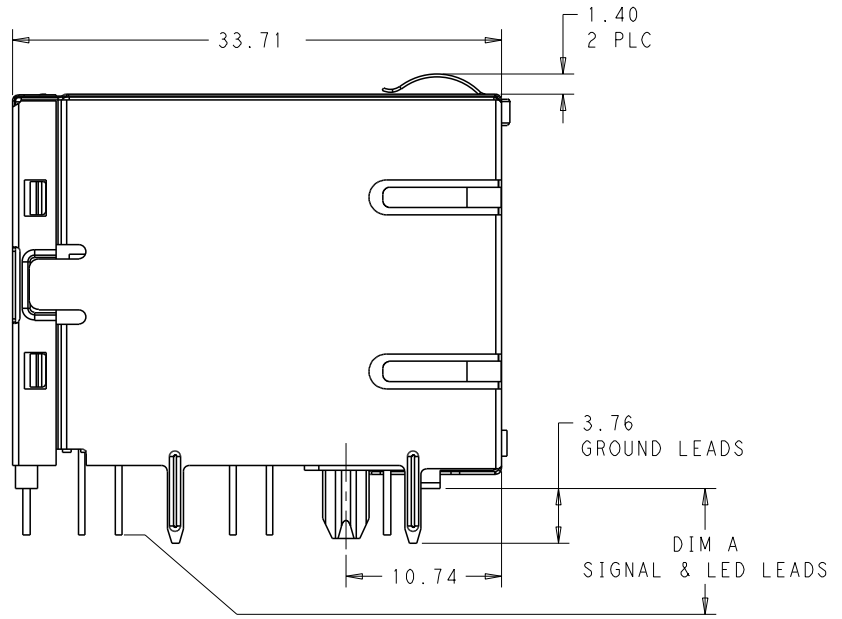
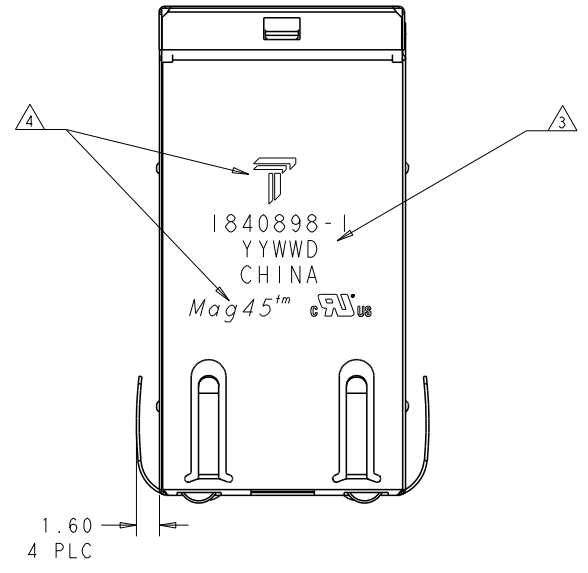
S8G94ET GIGABIT CIRCUIT $\triangle 2 \triangle 7$
TOP AND BOTTOM PORTS



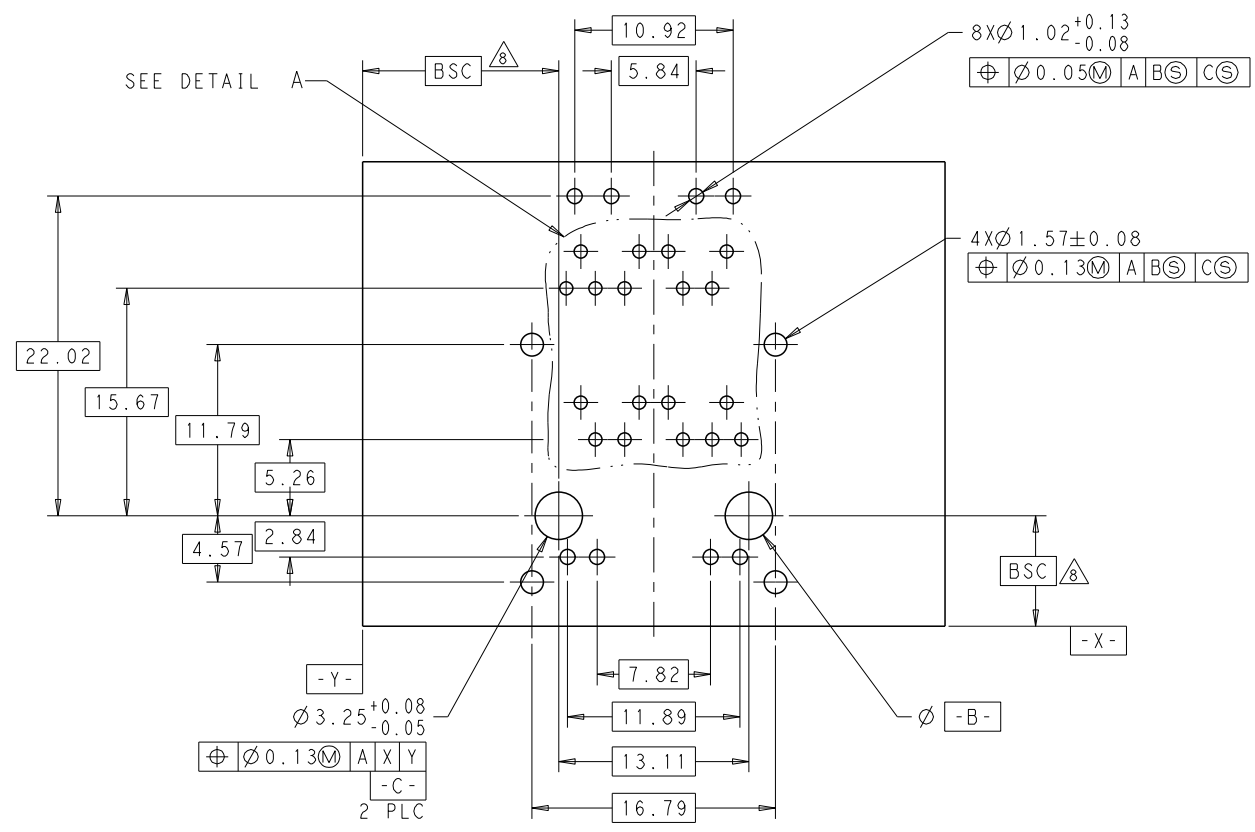
C1 = 1000pF, 2KV CAPACITOR
C2-C5 = 10nF, 50V CAPACITORS
R1-R4 = 75 Ohms, 1/16W, RESISTORS

- MATERIALS:
PLASTIC HOUSING: BLACK, THERMOPLASTIC FLAMMABILITY RATING UL 94V-0
SHIELD: BRASS, PREPLATED WITH 0.76um MIN SEMI-BRIGHT NICKEL,
POST DIPPED WITH 2.54um MIN SAC SOLDER ON SOLDER TAILS,
CONTACTS: PHOSPHOR BRONZE, 1.27um MIN OVERALL NICKEL
UNDERPLATE WITH SELECTED 1.27um MIN GOLD AT MATING INTERFACE
AND 2.54um MIN MATTE TIN ON SOLDER TAILS.
- MAGNETICS
APPLICATION: 10/100/1000 BASE-T, EXTENDED TEMPERATURE
IMPEDANCE: 100 OHMS
TURNS RATIO (CHIP:CABLE): 1:1 ALL FOUR PAIRS
OPEN CIRCUIT INDUCTANCE (OCL): 350uH MIN @100kHz, 0.1VRMS,
8mADC BIAS FROM -40°C TO +85°C, ALL FOUR PAIRS
ALL FOUR PAIRS BI-DIRECTIONAL
PERFORMANCE @ 25°C:
INSERTION LOSS (IL): 1.1dB MAX FROM 0.5MHz TO 100MHz
RETURN LOSS (RL): 18dB MIN FROM 0.5MHz TO 40MHz
12-20LOG(f/80)dB MIN FROM 40.1MHz TO 100MHz
CROSSTALK ATTENUATION: 35dB MIN FROM 0.5MHz TO 40MHz
33-20LOG(f/50)dB MIN FROM 40.1MHz TO 100MHz
COMMON MODE REJECTION RATIO (CMRR): 30dB MIN FROM 0.5MHz TO 100MHz
ISOLATION VOLTAGE: 2250VDC (MAX) FOR 60 SECONDS WITH A RISE TIME OF
500V/SEC AND WITH ALL PORTS CONNECTED.
- PART NUMBER, DATE CODE, COUNTRY OF ORIGIN IN APPROPRIATE
LOCATION SHOWN. DATE CODE: "YY" IS YEAR, "WW" IS
WORK WEEK, "D" IS DAY OF WEEK, WITH SUNDAY=1
- TRP LOGO AND AGENCY APPROVAL LOGO ARE LOCATED IN
APPROXIMATE AREA SHOWN.
- OPERATING TEMPERATURE: FROM -40°C TO +85°C.
- RJ45 CAVITY CONFORMS TO FCC RULES AND REGULATION PART 68 SUBPART F.
- INDICATED MAGNETIC CONNECTIONS ARE SYMMETRICAL AND
SUPPORT AUTO-MDI/MDIX.
- DATUM AND BASIC DIMENSION ESTABLISHED BY CUSTOMER.
- LED COLOR:
DOMINANT WAVELENGTH (λD): GREEN 568 nm TYP. @ $I_F=20mA$
FORWARD VOLTAGE (V_F): GREEN 2.2V TYP. @ $I_F=20mA$
DOMINANT WAVELENGTH (λD): YELLOW 588 nm TYP. @ $I_F=20mA$
FORWARD VOLTAGE (V_F): YELLOW 2.1V TYP. @ $I_F=20mA$
- THE PARTS ARE RECOMMENDED FOR WAVE SOLDERING PROCESS,
PEAK TEMPERATURE 260°C MAX, 10 SECONDS MAX.

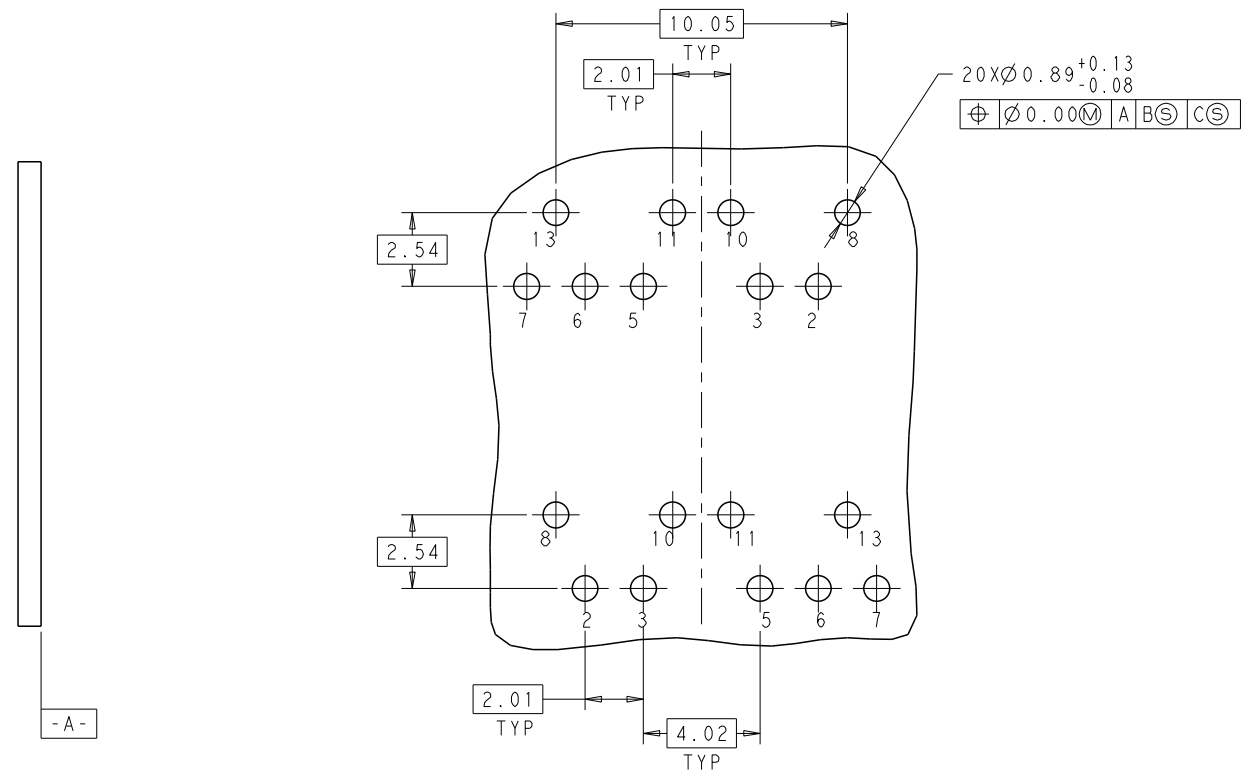
3.18	GRN/YEL	GREEN	GRN/YEL	GREEN	3-1840898-5
3.18	GREEN	GREEN	GREEN	GREEN	1840898-1
DIM A	BOTTOM LED2 COLOR	BOTTOM LED1 COLOR	TOP LED2 COLOR	TOP LED1 COLOR	PART NUMBER
THIS DRAWING IS A CONTROLLED DOCUMENT. DWN: GABRIEL ZHANG 12MAY2011 CHK: TONY YUAN 12MAY2011 APVD: KEITH ZHU 12MAY2011					
DIMENSIONS: mm		TOLERANCES UNLESS OTHERWISE SPECIFIED:		TRP connector Dongguan China	
0 PLC ± 1 PLC ± 2 PLC ±0.25 3 PLC ± 4 PLC ± ANGLES ± FINISH ±		PRODUCT SPEC 108-104004 APPLICATION SPEC		NAME: 2X1 MAG45(TM), S8G94ET CIRCUIT WAVE PANEL, GROUND SHIELD, WITH LED	
MATERIAL		WEIGHT		SIZE: A1 CAGE CODE: C=1840898 DRAWING NO: 1840898-5	
CUSTOMER DRAWING		SCALE: 1:1		SHEET 1 OF 4 REV B	



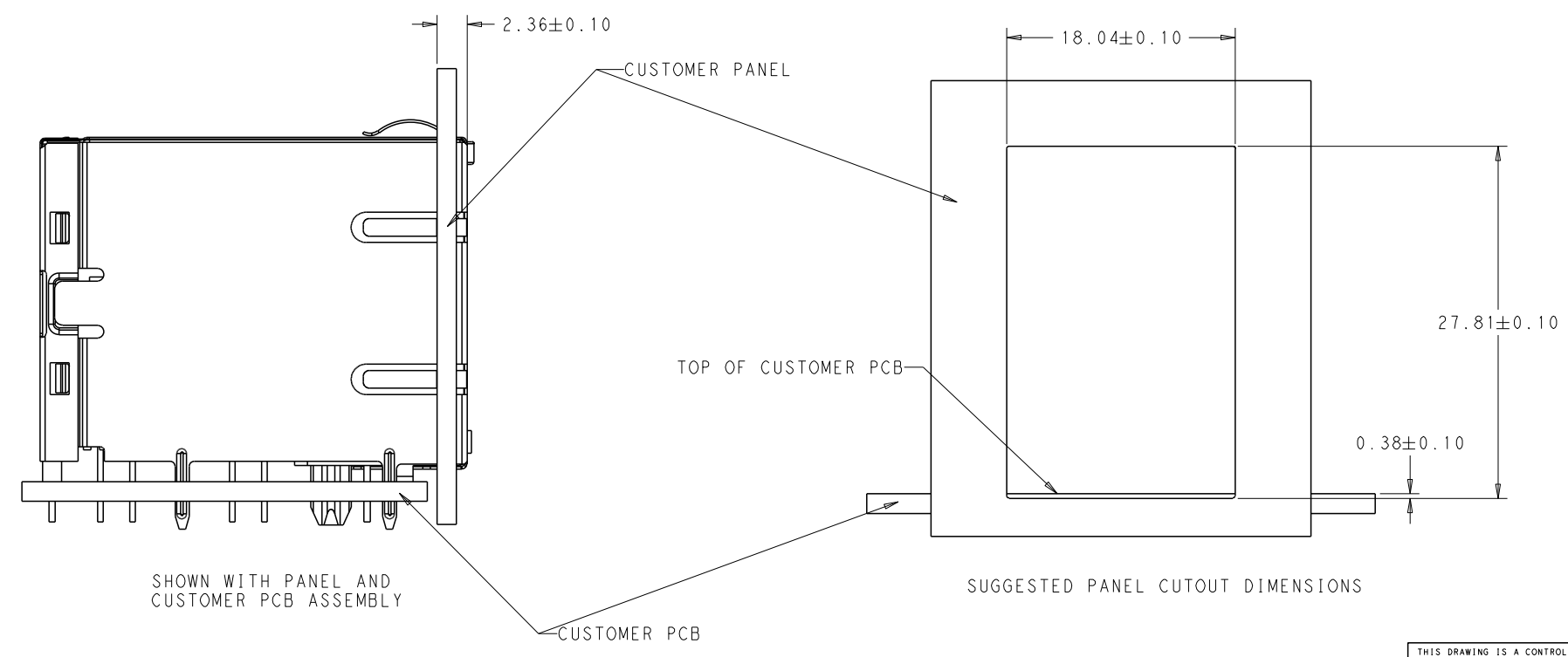
THIS DRAWING IS A CONTROLLED DOCUMENT.		DATE: 12MAY2011	 TRP connector Dongguan China	
		CHK: GABRIEL Z. TERRY		
DIMENSIONS:		DATE: 12MAY2011	NAME: 2X1 MAG45(TM), S8G94ET CIRCUIT WAVE PANEL, GROUND SHIELD, WITH LED	
mm		CHK: TONY YUAN		
 0 PLC ± 1 PLC ± 2 PLC ±0.25 3 PLC ± 4 PLC ± ANGLES ± FINISH ±	APPROVED: KEITH ZHU	APPLICATION SPEC: 108-104004		
	MATERIAL:	PRODUCT SPEC:	SIZE: A1	
		APPLICATION SPEC:	CAGE CODE: C=1840898	RESTRICTED TO:
		FINISH:	WEIGHT:	SCALE: 1:1
CUSTOMER DRAWING		SCALE: 1:1	SHEET 2 OF 4	



RECOMMENDED PCB LAYOUT
COMPONENT SIDE VIEW
SCALE 4:1



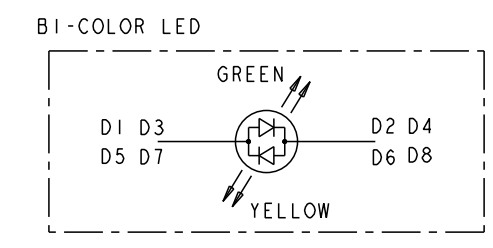
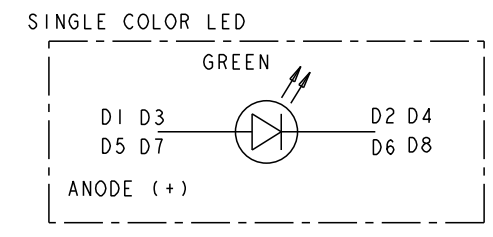
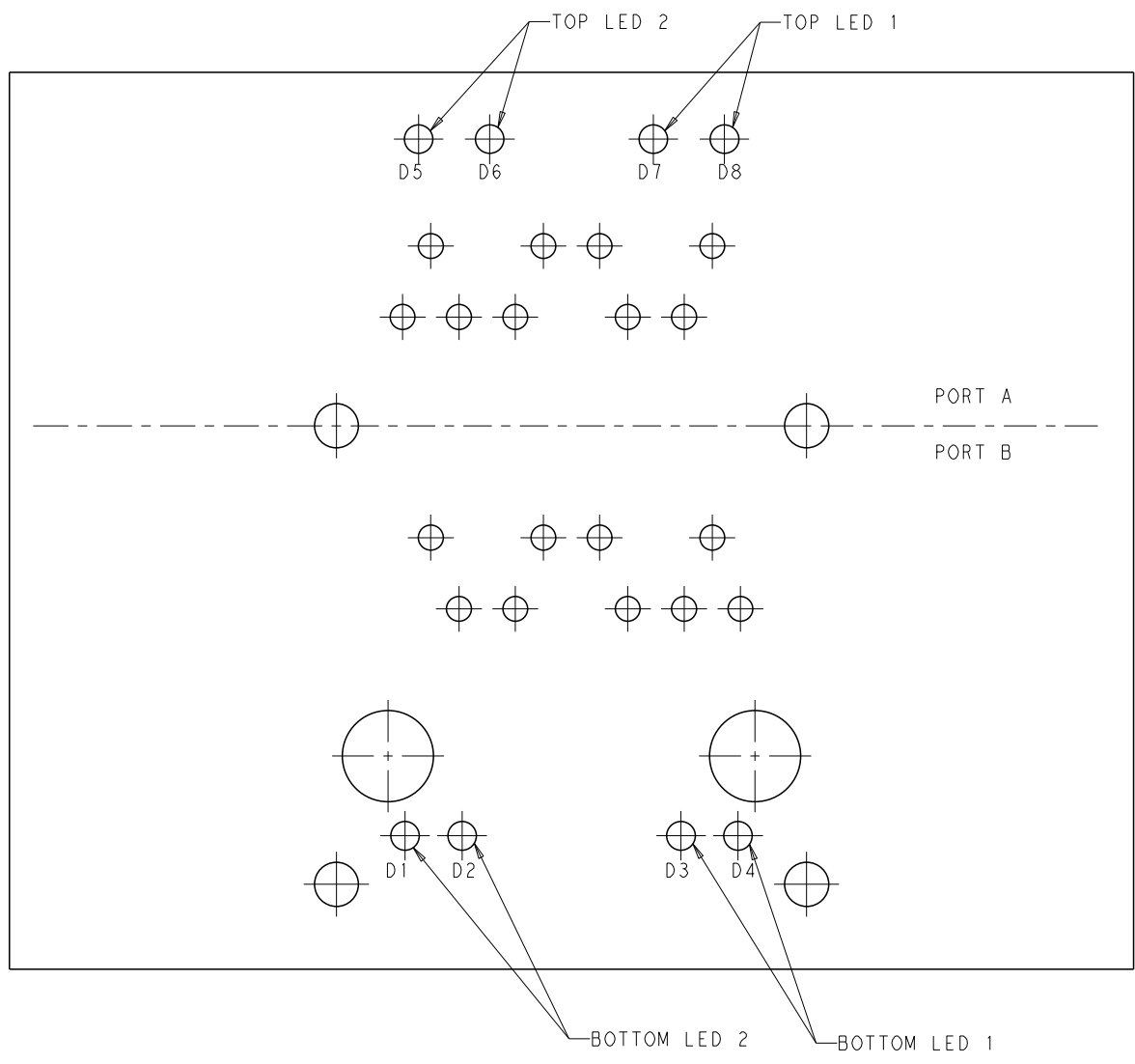
DETAIL A
SCALE 8:1



SHOWN WITH PANEL AND
CUSTOMER PCB ASSEMBLY

SUGGESTED PANEL CUTOUT DIMENSIONS

THIS DRAWING IS A CONTROLLED DOCUMENT.		DATE: 12MAY2011	 TRP connector Dongguan China
		CHK: GABRIEL Z. TERRY	
DIMENSIONS:	TOLERANCES UNLESS OTHERWISE SPECIFIED:	APPROVED: KEITH ZHU	PRODUCT SPEC
mm	0 PLC ±		108-104004
	1 PLC ±		APPLICATION SPEC
	2 PLC ±0.25		
	3 PLC ±		
	4 PLC ±		
	ANGLES ±		
MATERIAL:	FINISH:	WEIGHT:	SIZE: A1
			CAGE CODE: 1840898
			DRAWING NO: 1840898
			RESTRICTED TO: -
			SCALE: 1:1
			SHEET 3 OF 4
			REV B



LED HOLE DESIGNATIONS AND PORT ASSIGNMENT
 VIEWED FROM COMPONENT SIDE
 SCALE 8:1

THIS DRAWING IS A CONTROLLED DOCUMENT.		DATE: 12MAY2011 DRAWN: GABRIEL Z. TERRY CHK: TONY YUAN	TRP connector Dongguan China	
DIMENSIONS: mm	TOLERANCES UNLESS OTHERWISE SPECIFIED:	DATE: 12MAY2011 APPROVED: KEITH ZHU	PRODUCT SPEC: 108-104004	NAME: 2X1 MAG45(TM), S8G94ET CIRCUIT WAVE PANEL, GROUND SHIELD, WITH LED
0 PLC ±	1 PLC ±	2 PLC ±0.25	3 PLC ±	4 PLC ±
ANGLES ±	MATERIAL: FINISH: WEIGHT: RESTRICTED TO:			
CUSTOMER DRAWING			SCALE: 1:1	SHEET 4 OF 4 REV B