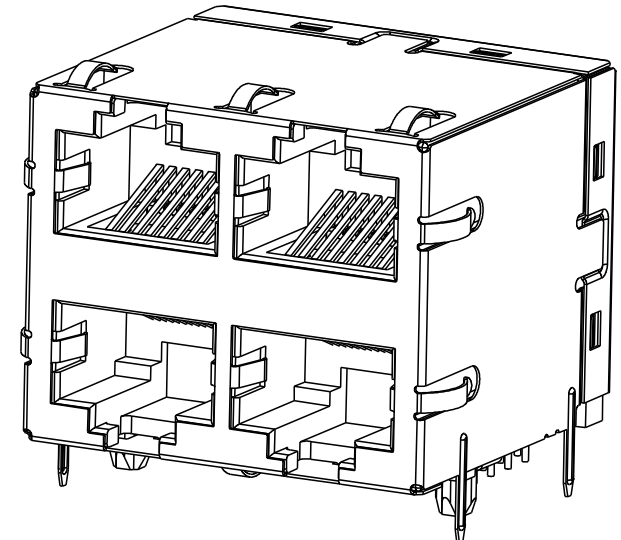
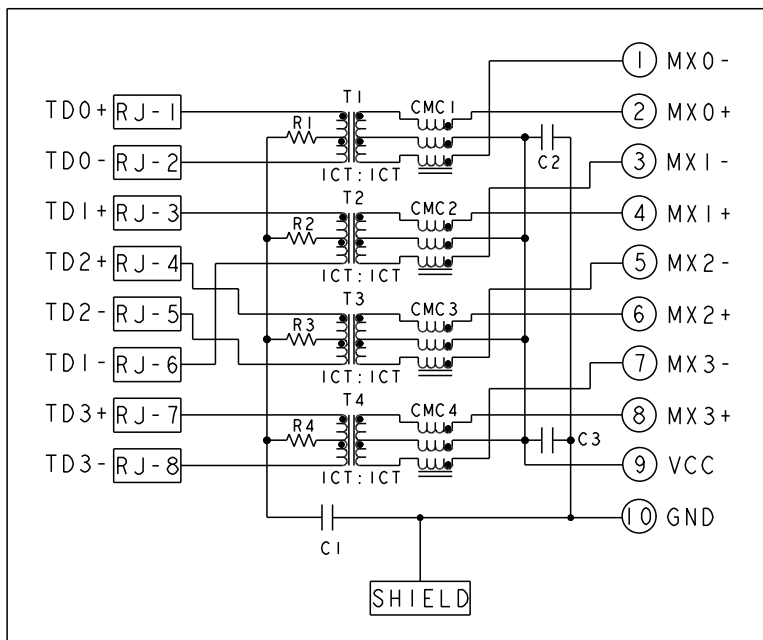


REVISONS				
P	LYR	DESCRIPTION	DATE	APPV
B		LOGO CHANGE	02APR2013	TR KZ



S8G56 GIGABIT CIRCUIT
TOP AND BOTTOM PORTS



C1 = 1000pF, 2kV CAPACITOR
C2 - C3 = 10nF, 50V CCAPACITORS
R1-R4 = 75 Ohms, 1/16 W, RESISTORS

1. MATERIALS:
PLASTIC HOUSING: BLACK, THERMOPLASTIC FLAMMABILITY RATING UL 94V-0
SHIELD: BRASS, PREPLATED WITH 0.76um MIN SEMI-BRIGHT NICKEL,
POST DIPPED WITH 2.54um MIN SAC SOLDER ON SOLDER TAILS,
CONTACTS: PHOSPHOR BRONZE, 1.27um MIN OVERALL NICKEL
UNDERPLATE WITH SELECTED 1.27um MIN GOLD AT MATING INTERFACE
AND 2.54um MIN MATTE TIN ON SOLDER TAILS.

△ MAGNETICS
APPLICATION: 10/100/1000 BASE-T
IMPEDANCE: 100 OHMS
TURNS RATIO (CHIP:CABLE): 1:1 ALL FOUR PAIRS
OPEN CIRCUIT INDUCTANCE (OCL): 350uH MIN @100kHz, 0.1VRMS,
8mADC BIAS FROM 0°C TO 70°C, ALL FOUR PAIRS
ALL FOUR PAIRS BI-DIRECTIONAL
PERFORMANCE @ 25°C:
INSERTION LOSS (IL): 1.1dB MAX FROM 0.5MHz TO 100MHz
RETURN LOSS (RL): 18dB MIN FROM 0.5MHz TO 40MHz
12-20LOG(f/80)dB MIN FROM 40.1MHz TO 100MHz
CROSSTALK ATTENUATION: 35dB MIN FROM 0.5MHz TO 40MHz
33-20LOG(f/50)dB MIN FROM 40.1MHz TO 100MHz
COMMON MODE REJECTION RATIO (CMRR): 30dB MIN FROM 0.5MHz TO 100MHz
ISOLATION VOLTAGE: 2250VDC(MAX) FOR 60 SECONDS WITH A RISE TIME OF
500V/SEC AND WITH ALL PORTS CONNECTED.

△ PARTNUMBER, DATE CODE AND COUNTRY OF ORIGIN ARE LOCATED
IN APPROXIMATE AREA SHOWN. DATE CODE: "YY" IS YEAR, "WW" IS
WORK WEEK, "D" IS DAY OF WEEK, WITH SUNDAY=1

△ TRP LOGO AND AGENCY APPROVAL LOGO ARE
LOCATED IN APPROXIMATE AREA SHOWN.

5. OPERATING TEMP: FROM 0°C TO +70°C.

6. RJ45 CAVITY CONFORMS TO FCC RULES AND REGULATION PART 68 SUBPART F.

△ INDICATED MAGNETIC CONNECTIONS ARE SYMMETRICAL AND
SUPPORT AUTO-MDI/MDIX.

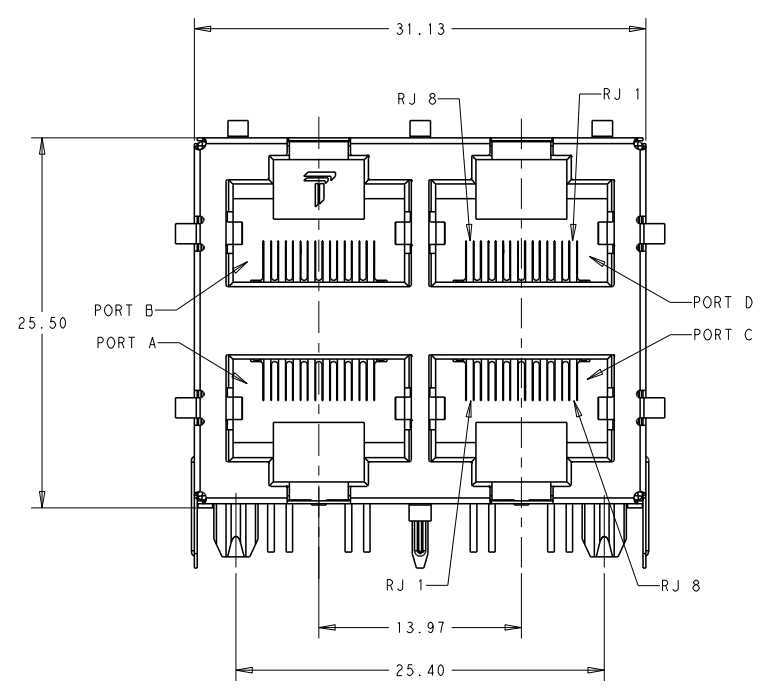
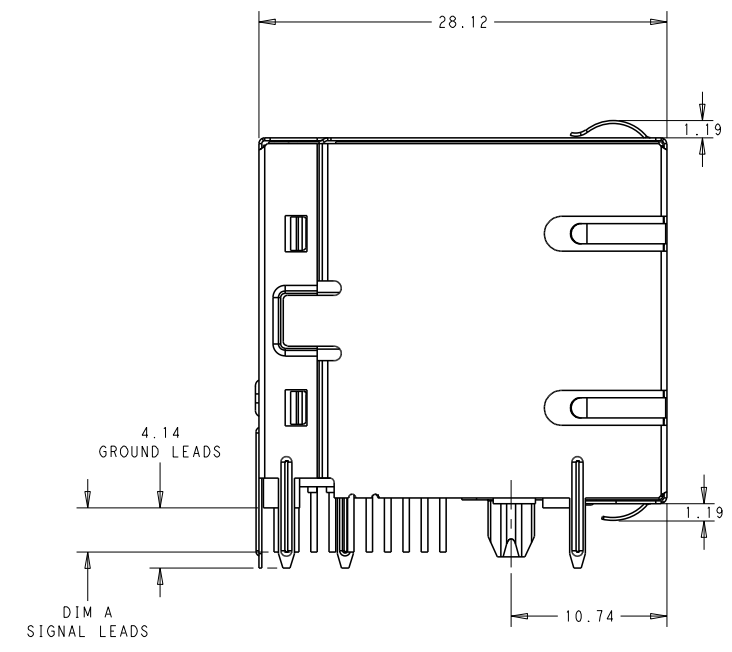
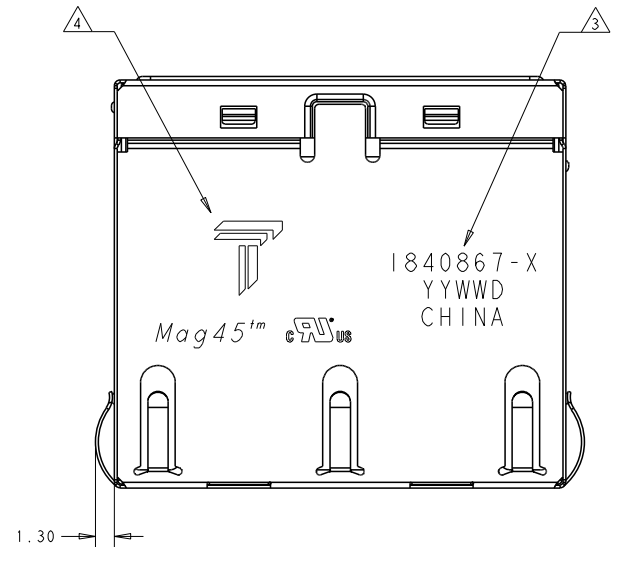
△ DATUM AND BASIC DIMENSION ESTABLISHED BY CUSTOMER.

△ BASIC DIMENSION ESTABLISHED BY CUSTOMER, BUT MAY NOT BE
GREATER THAN 5.08mm.

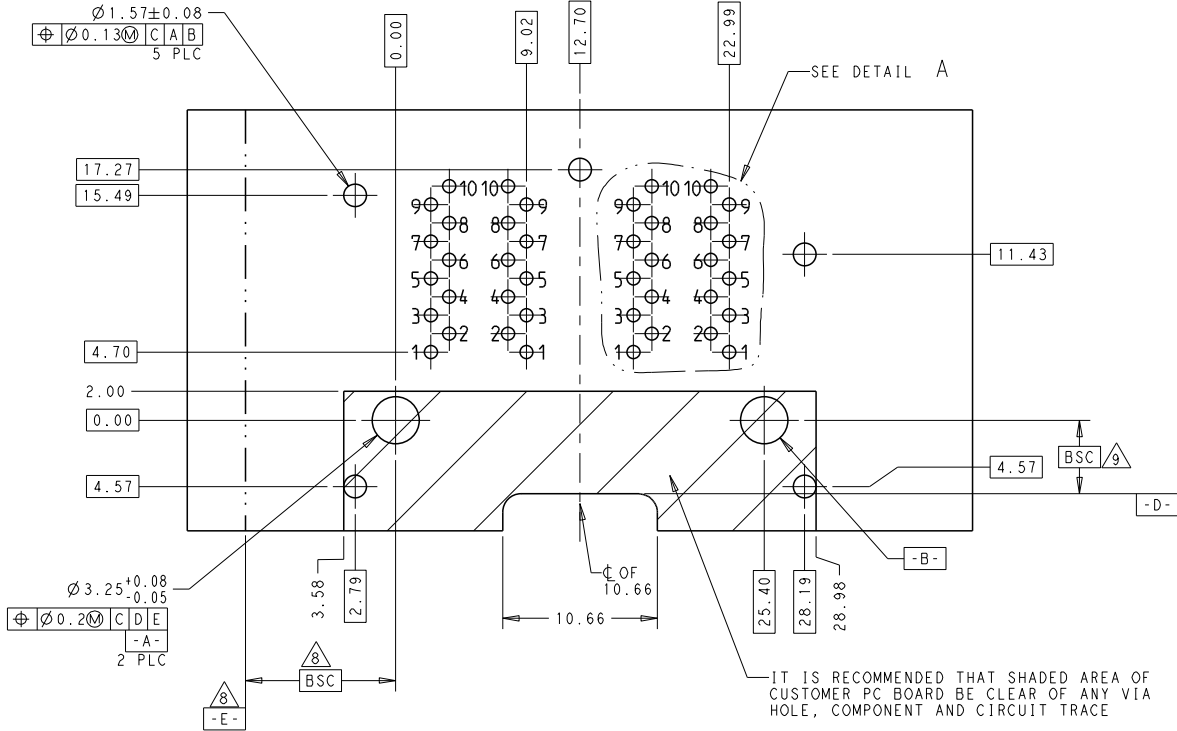
10. THE PARTS ARE RECOMMENDED FOR WAVE SOLDERING PROCESS,
PEAK TEMPERATURE 260°C MAX, 10 SECONDS MAX.

3.04	1840867-1
DIM A	PART NUMBER

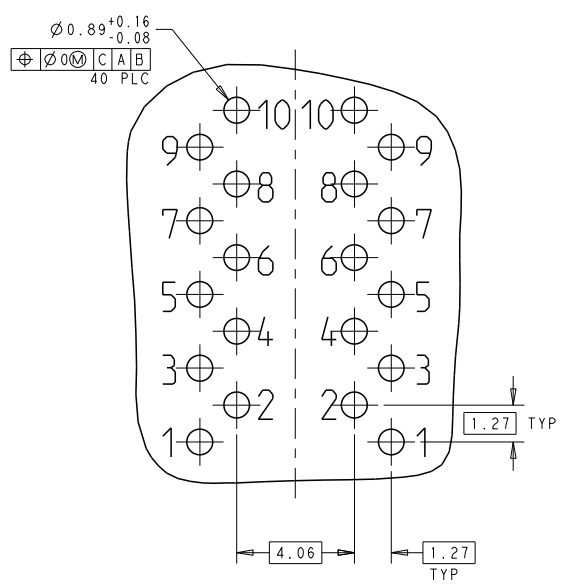
THIS DRAWING IS A CONTROLLED DOCUMENT.		DATE: 29NOV2010		TRP connector
		CHK: JAMISON CHEN/0011		Dongguan China
DIMENSIONS:		DATE: 29NOV2010	NAME: 2X2 MAG45(TM), GIGABIT S8G56 CIRCUIT	
mm	TOLERANCES UNLESS OTHERWISE SPECIFIED:	CHK: TONY YUAN	WAVE PANEL, GROUND SHIELD, W/O LED	
0 PLC ±	1 PLC ±	APV: KEITH ZHU	SIZE: CAGE CODE: DRAWING NO:	
2 PLC ±0.25	3 PLC ±	PRODUCT SPEC: 108-104004	RESTRICTED TO:	
4 PLC ±	ANGLES ±	APPLICATION SPEC:	A1 - ©=1840867	
MATERIAL:	FINISH:	WEIGHT:	SCALE: 2:1 SHEET 1 OF 4 REV B	
CUSTOMER DRAWING				



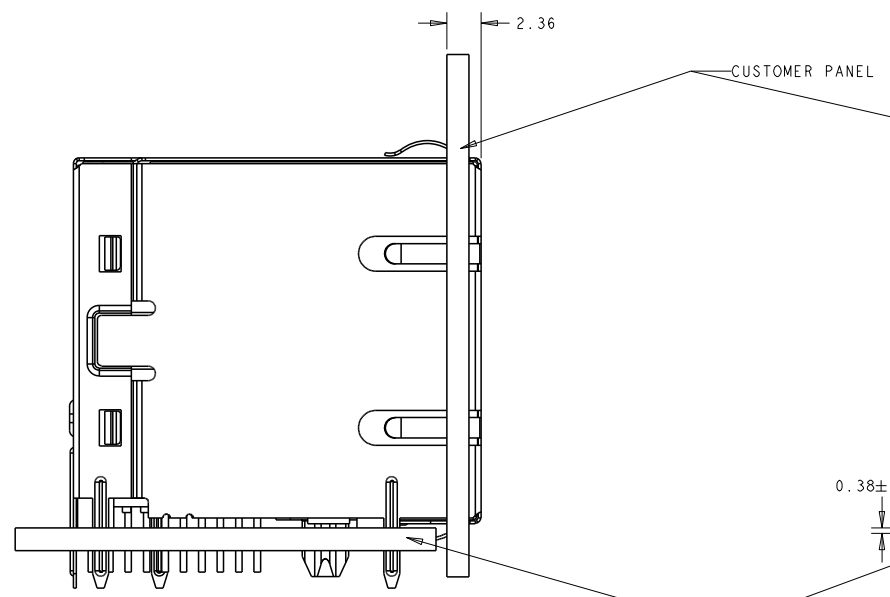
THIS DRAWING IS A CONTROLLED DOCUMENT.		DATE: 29NOV2010	 TRP connector Dongguan China
		CHK: JAMISON CHEN/29NOV2010	
DIMENSIONS: mm	0 PLC	±	NAME: 2X2 MAG45(TM), GIGABIT S8G56 CIRCUIT WAVE PANEL, GROUND SHIELD, W/O LED
	1 PLC	±	APPLICATION SPEC
	2 PLC	±0.25	SIZE: A1
	3 PLC	±	SCALE: 2:1
	4 PLC	±	SHEET 2 OF 4
	ANGLES	±	REV B
MATERIAL:	FINISH:	WEIGHT:	CUSTOMER DRAWING



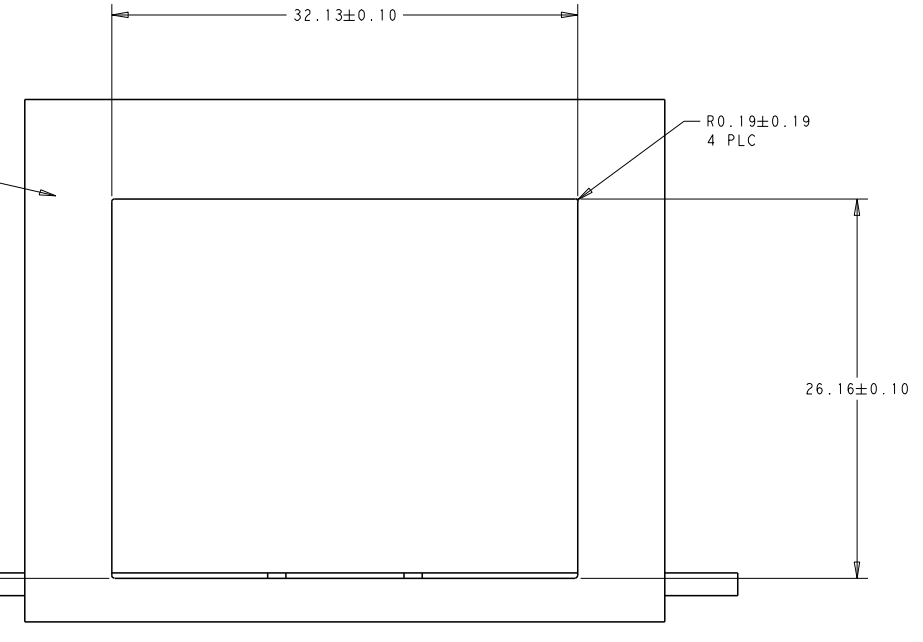
RECOMMENDED PCB LAYOUT COMPONENT SIDE VIEW



DETAIL A SCALE 8:1

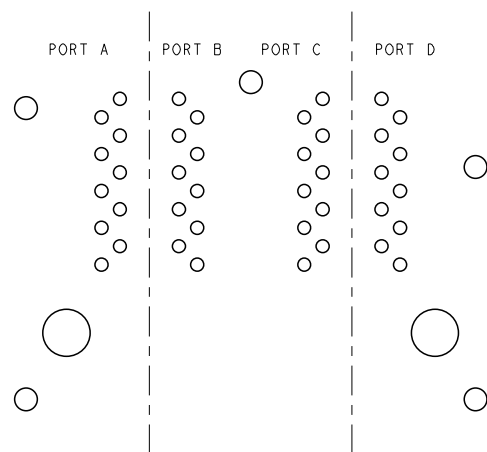


SHOWN WITH PANEL AND CUSTOMER PCB ASSEMBLY


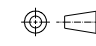


SUGGESTED PANEL CUTOUT DIMENSIONS

THIS DRAWING IS A CONTROLLED DOCUMENT.		DATE: 29NOV2010	 TRP connector Dongguan China
		CHK: JAMISON CHEN/2010	
DIMENSIONS: mm		CHK: TONY YUAN	PRODUCT SPEC: 2X2 MAG45(TM), GIGABIT S8G56 CIRCUIT WAVE PANEL, GROUND SHIELD, W/O LED APPLICATION SPEC: 108-104004
TOLERANCES UNLESS OTHERWISE SPECIFIED:		DATE: 29NOV2010	
0 PLC ± 1 PLC ± 2 PLC ±0.25 3 PLC ± 4 PLC ± ANGLES ± FINISH	APD: KEITH ZHU PRODUCT SPEC: 2X2 MAG45(TM), GIGABIT S8G56 CIRCUIT WAVE PANEL, GROUND SHIELD, W/O LED APPLICATION SPEC: 108-104004	SIZE: A1 CAGE CODE: - DRAWING NO: 1840867	RESTRICTED TO: - SCALE: 4:1 SHEET: 3 OF 4 REV: B
MATERIAL: -		WEIGHT: -	CUSTOMER DRAWING



PORT ASSIGNMENT
COMPONENT SIDE VIEW

THIS DRAWING IS A CONTROLLED DOCUMENT.		DATE: 29NOV2010 DRAWN: JAMISON CHEN/1011	 TRP connector Dongguan China
		CHK: TONY YUAN 29NOV2010 APPROVED: KEITH ZHU 29NOV2010	
DIMENSIONS: mm	TOLERANCES UNLESS OTHERWISE SPECIFIED:	PRODUCT SPEC	NAME: 2X2 MAG45(TM), GIGABIT S8G56 CIRCUIT
	0 PLC ±-	APPLICATION SPEC	WAVE PANEL, GROUND SHIELD, W/O LED
	1 PLC ±-		SIZE: A1
	2 PLC ±0.25		CAGE CODE: -
	3 PLC ±-		DRAWING NO: C=1840867
	4 PLC ±-		RESTRICTED TO: -
	ANGLES ±-		
MATERIAL: -	FINISH: -	WEIGHT: -	
		CUSTOMER DRAWING	SCALE: 4:1 SHEET 4 OF 4 REV B