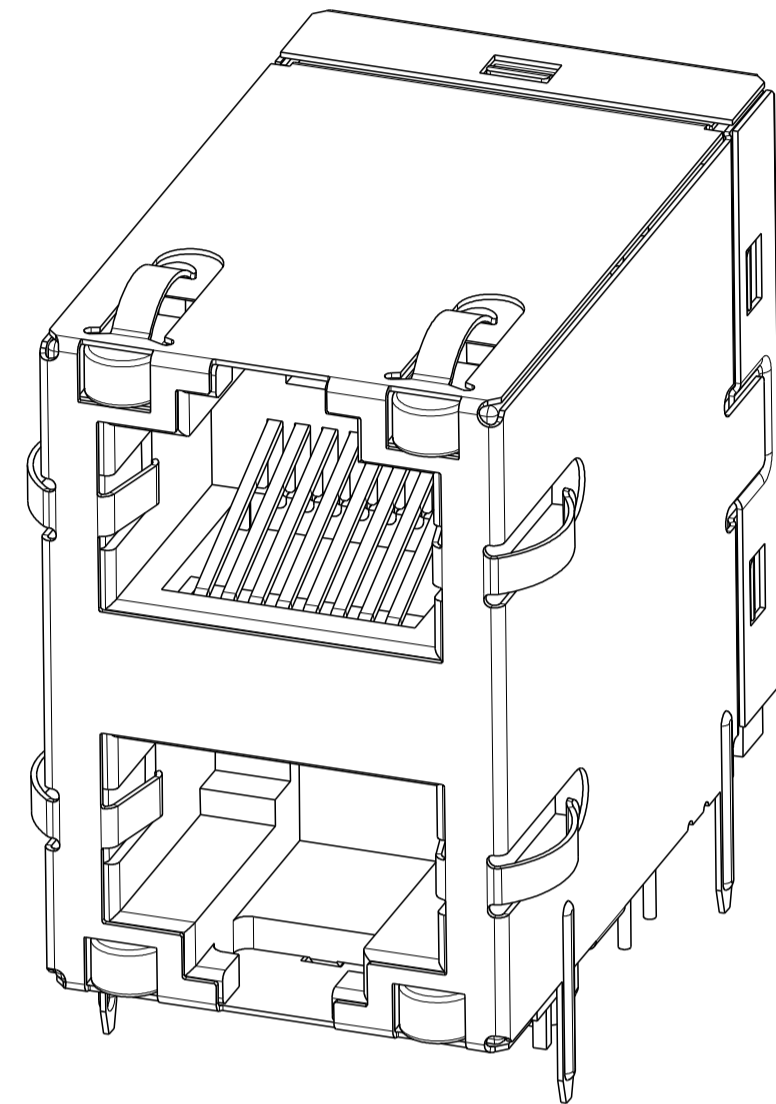
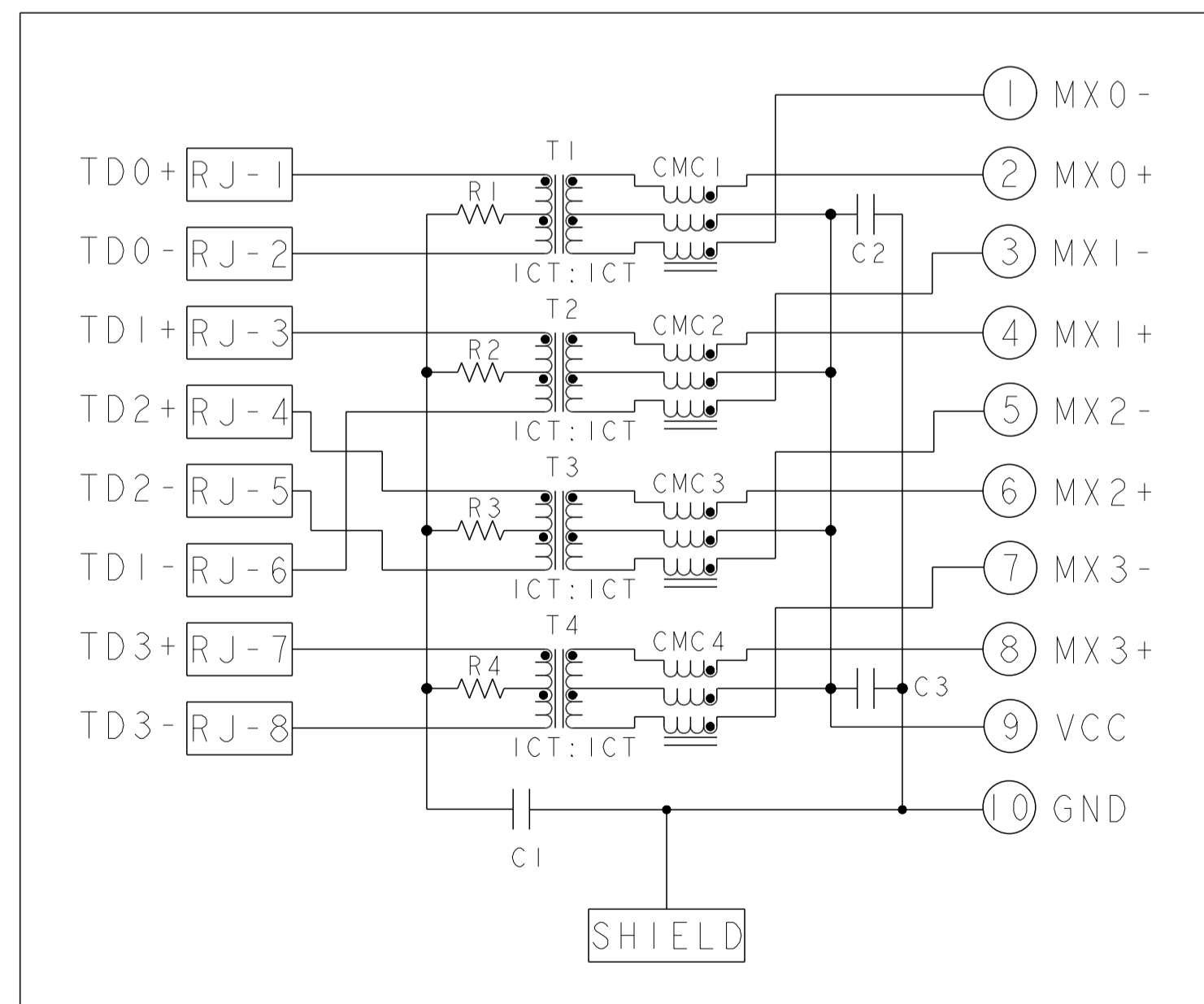


REVISIONS					
P	LYR	DESCRIPTION	DATE	DWN	APVD
B		LOGO CHANGE	12APR2013	RL	KZ



S8G56ET GIGABIT CIRCUIT Δ 7
 TOP AND BOTTOM PORTS

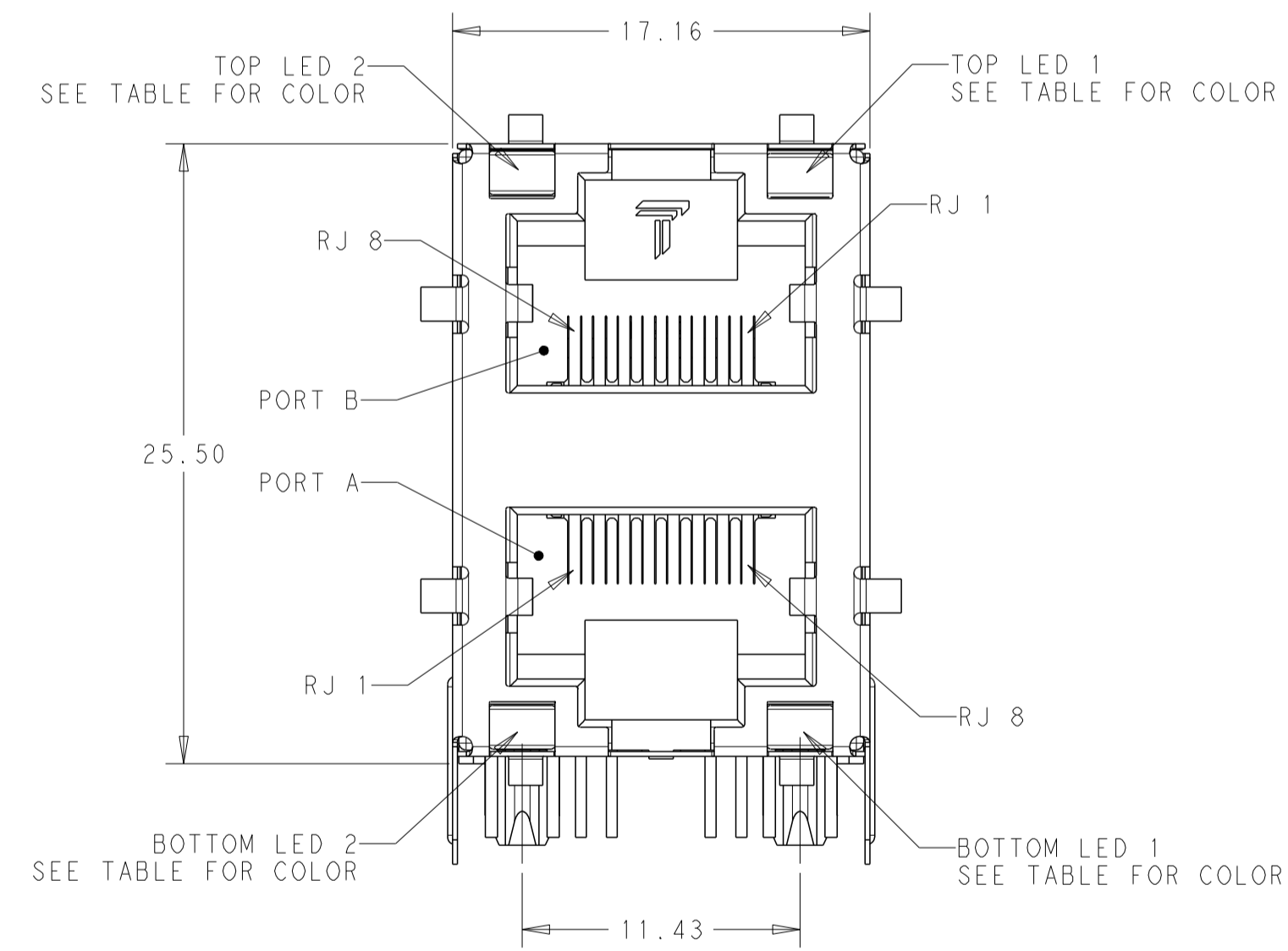
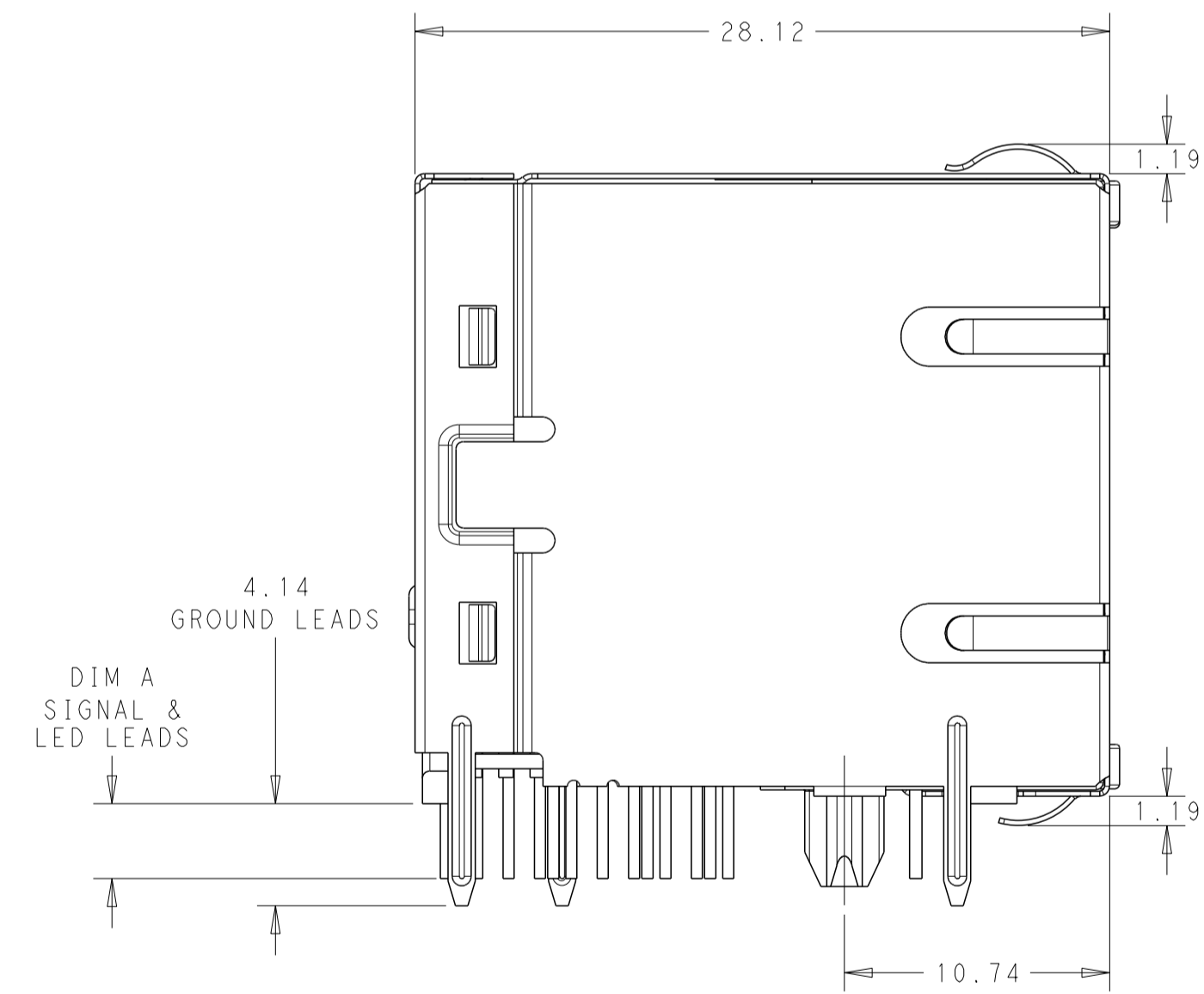
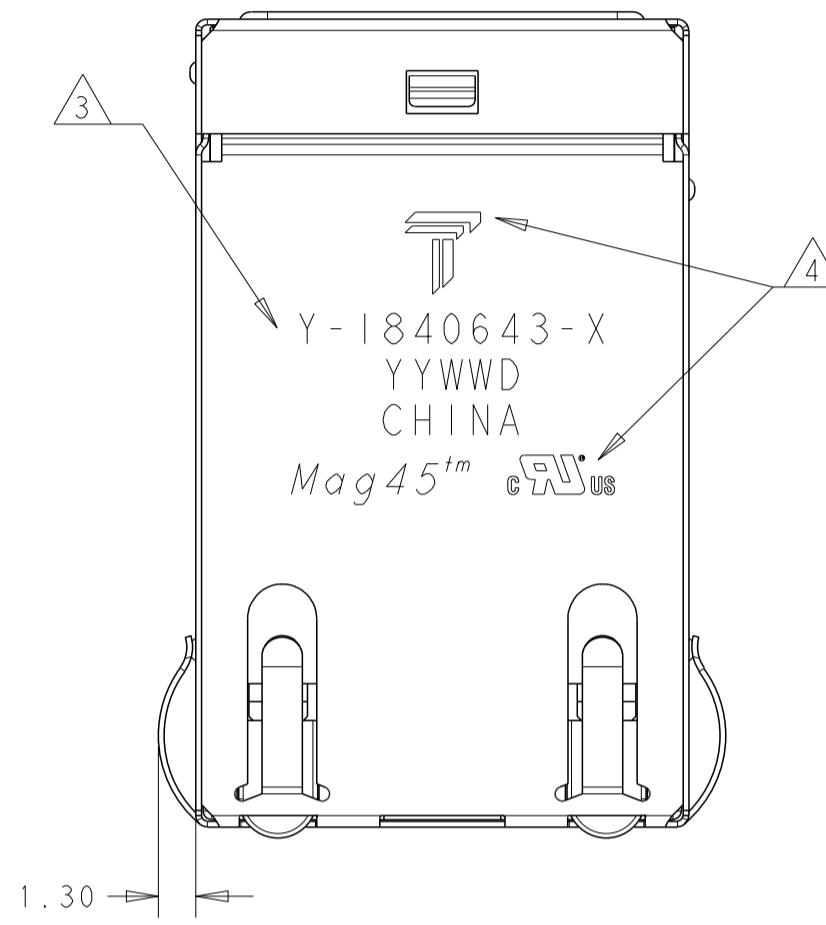


C1 = 1000pF, 2kV CAPACITOR
 C2 - C3 = 10nF, 50V CAPACITORS
 R1-R4 = 75 Ohms, 1/16 W, RESISTORS

1. MATERIALS:
 PLASTIC HOUSING: BLACK, THERMOPLASTIC FLAMMABILITY RATING UL 94V-0
 SHIELD: BRASS, PREPLATED WITH 0.76um MIN SEMI-BRIGHT NICKEL,
 POST DIPPED WITH 2.54um MIN SAC SOLDER ON SOLDER TAILS,
 CONTACTS: PHOSPHOR BRONZE, 1.27um MIN OVERALL NICKEL
 UNDERPLATE WITH SELECT 1.27um MIN GOLD AT MATING INTERFACE
 AND 2.54um MIN MATTE TIN ON SOLDER TAILS.
2. MAGNETICS
 APPLICATION: 10/100/1000 BASE-T, EXTENDED TEMP
 IMPEDANCE: 100 OHMS
 TURNS RATIO (CHIP:CABLE): 1:1 ALL FOUR PAIRS
 OPEN CIRCUIT INDUCTANCE (OCL): 350uH MIN @100kHz, 0.1VRMS,
 8mADC BIAS FROM -40°C TO +85°C, ALL FOUR PAIRS
 ALL FOUR PAIRS BI-DIRECTIONAL
 PERFORMANCE @ 25°C:
 INSERTION LOSS (IL): 1.1dB MAX FROM 0.5MHz TO 100MHz
 RETURN LOSS (RL): 18dB MIN FROM 0.5MHz TO 40MHz
 12-20LOG(f/80)dB MIN FROM 40.1MHz TO 100MHz
 CROSSTALK ATTENUATION: 35dB MIN FROM 0.5MHz TO 40MHz
 33-20LOG(f/50)dB MIN FROM 40.1MHz TO 100MHz
 COMMON MODE REJECTION RATIO (CMRR): 30dB MIN FROM 0.5MHz TO 100MHz
 ISOLATION VOLTAGE: 2250VDC (MAX) FOR 60 SECONDS WITH A RISE TIME OF 500V/SEC AND
 WITH ALL PORTS CONNECTED
3. PART NUMBER, DATE CODE AND COUNTRY OF ORIGIN ARE LOCATED
 IN APPROXIMATE AREA SHOWN. DATE CODE: "YY" IS YEAR, "WW" IS
 WORK WEEK, "D" IS DAY OF WEEK, WITH SUNDAY=1
4. TRP CONNECTOR LOGO AND AGENCY APPROVAL LOGO ARE
 LOCATED IN APPROXIMATE AREA SHOWN.
5. OPERATING TEMP: FROM -40°C TO +85°C.
6. RJ45 CAVITY CONFORMS TO FCC RULES AND REGULATION PART 68 SUBPART F.
7. INDICATED MAGNETIC CONNECTIONS ARE SYMMETRICAL AND SUPPORT AUTO-MDI/MDIX.
8. DATUM AND BASIC DIMENSION ESTABLISHED BY CUSTOMER.
9. BASIC DIMENSION ESTABLISHED BY CUSTOMER, BUT MAY NOT BE
 GREATER THAN 5.08mm.
10. LEDs ARE DRIVEN WITH CONSTANT CURRENT AT APPROX 20mA
 LED COLOR: DOMINANT WAVELENGTH (λ D): GREEN 568 nm TYP. @ IF=20mA
 FORWARD VOLTAGE (VF): GREEN 2.2V TYP. @ IF=20mA
 DOMINANT WAVELENGTH (λ D): YELLOW 588 nm TYP @ IF=20 mA
 FORWARD VOLTAGE (VF): YELLOW 2.1V TYP @ IF=20 mA
11. THE PARTS ARE RECOMMENDED FOR WAVE SOLDERING PROCESS,
 PEAK TEMPERATURE 260°C MAX, 10 SECONDS MAX.

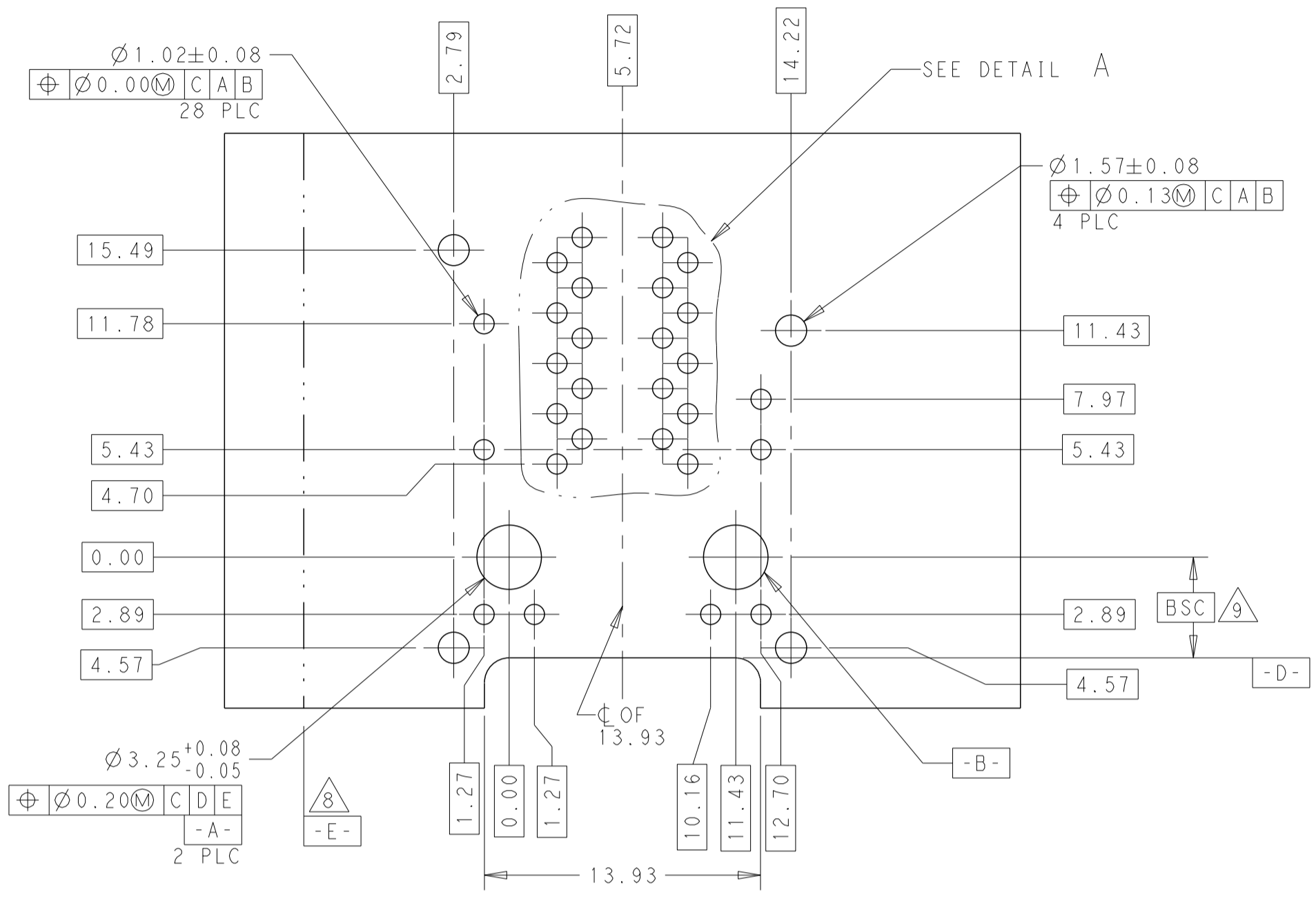
3.04	GREEN	YELLOW	GREEN	YELLOW	1-1840643-3
2.50	GREEN	YELLOW	GREEN	YELLOW	1840643-3
DIM A	BOTTOM LED 2	BOTTOM LED 1	TOP LED 2	TOP LED 1	PART NUMBER

THIS DRAWING IS A CONTROLLED DOCUMENT.		DWN: 30MAY2011 GABRIEL Z-FRANK LIU		TRP connector Dongguan China	
CHN: 30MAY2011 TONY YUAN		APVD: 30MAY2011 KEITH ZHU		PRODUCT SPEC	
DIMENSIONS:		TOLERANCES UNLESS OTHERWISE SPECIFIED:		NAME: 2X1 MAG45(TM).GIGABIT S8G56ET	
mm	0 PLC ±	1 PLC ±	2 PLC ±0.25	CIRCUIT, GROUND SHIELD, WITH LEDs	
	3 PLC ±	4 PLC ±	ANGLES ±	APPLICATION SPEC	
				SIZE: A1	
MATERIAL:	FINISH:	WEIGHT:	SCALE: NTS	DRAWING NO: C=1840643	RESTRICTED TO: -
			CUSTOMER DRAWING	SHEET 1 OF 4	REV B

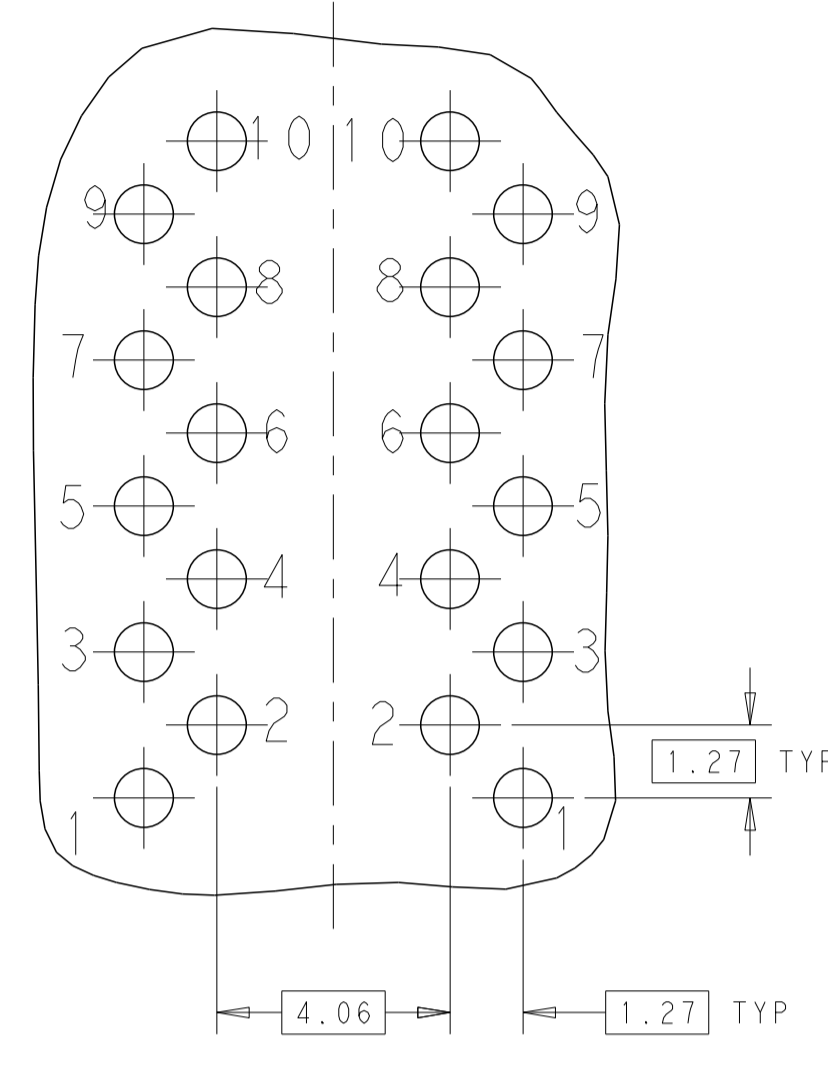


THIS DRAWING IS A CONTROLLED DOCUMENT.

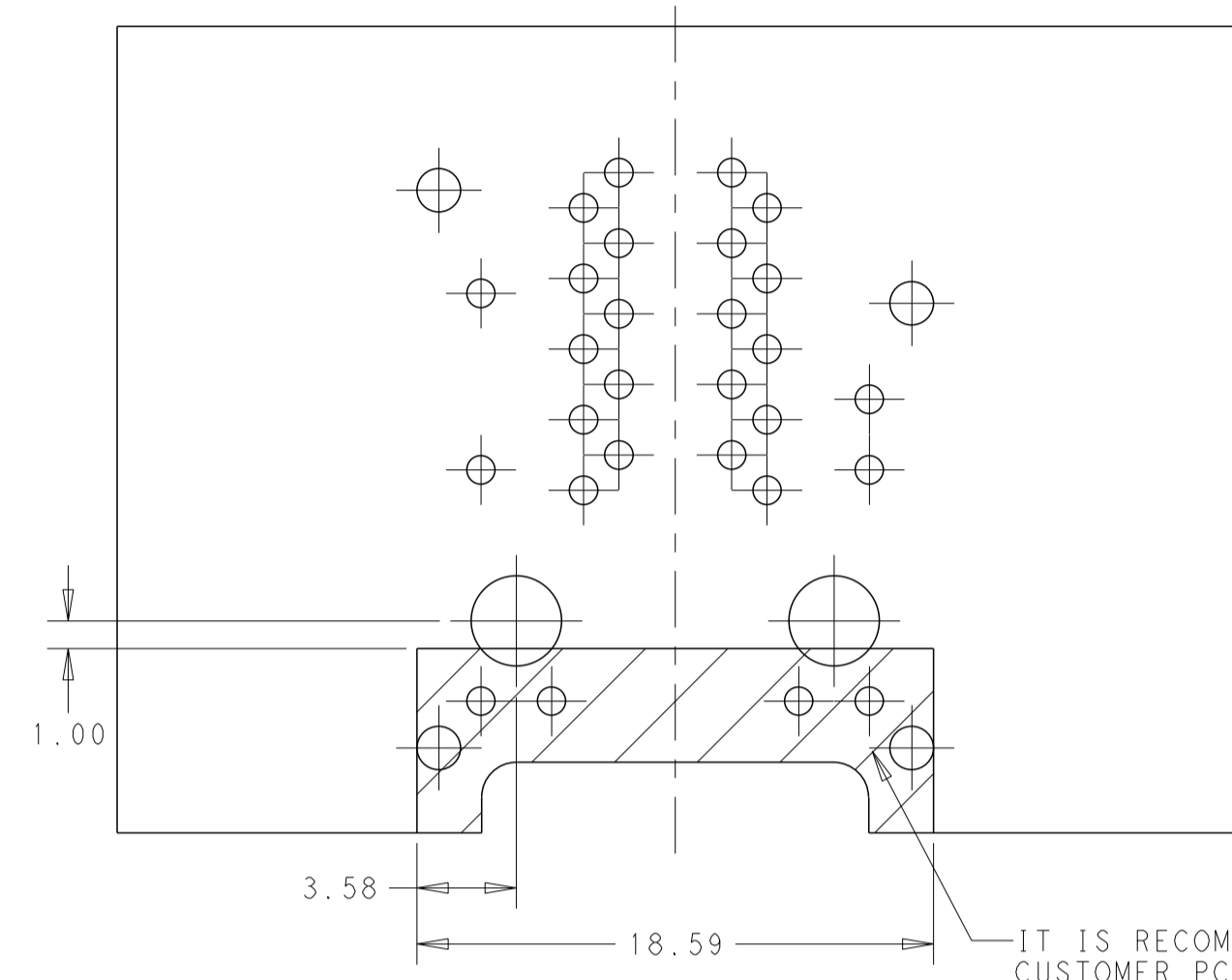
DIMENSIONS:		TOLERANCES UNLESS OTHERWISE SPECIFIED:		DWN: 30MAY2011		GABRIEL Z-FRANK LIU		TRP connector	
mm				CHK: 30MAY2011		TONY YUAN		Dongguan China	
0 PLC ±		1 PLC ±		APVD: 30MAY2011		KEITH ZHU		PRODUCT SPEC	
1 PLC ±		2 PLC ±0.25						NAME: 2X1 MAG45(TM).GIGABIT S8G56ET	
2 PLC ±		3 PLC ±						CIRCUIT, GROUND SHIELD, WITH LEADS	
3 PLC ±		4 PLC ±						SIZE: A1	
4 PLC ±		ANGLES						CAGE CODE: C=1840643	
FINISH								RESTRICTED TO:	
MATERIAL								WEIGHT: -	
								CUSTOMER DRAWING	
								SCALE: NTS	
								SHEET: 2 OF 4	
								REV: B	



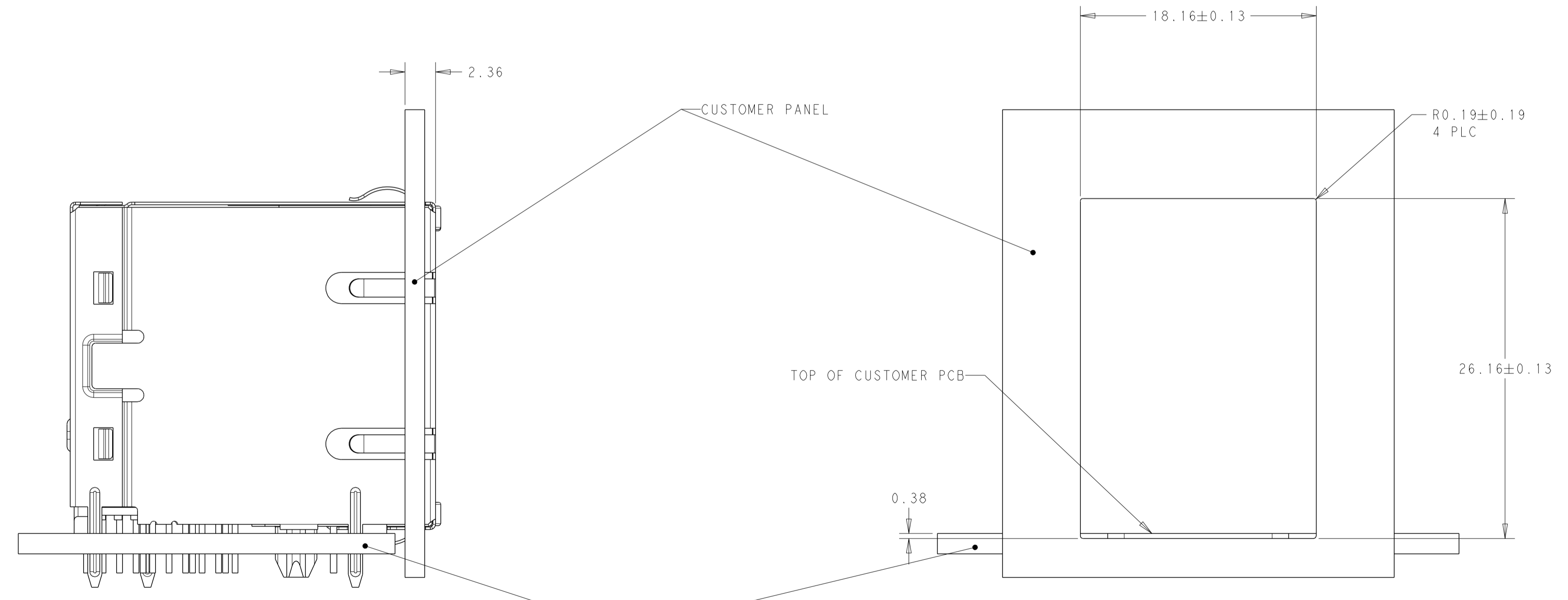
RECOMMENDED PCB LAYOUT
 COMPONENT SIDE VIEW



DETAIL A
 SCALE 8:1



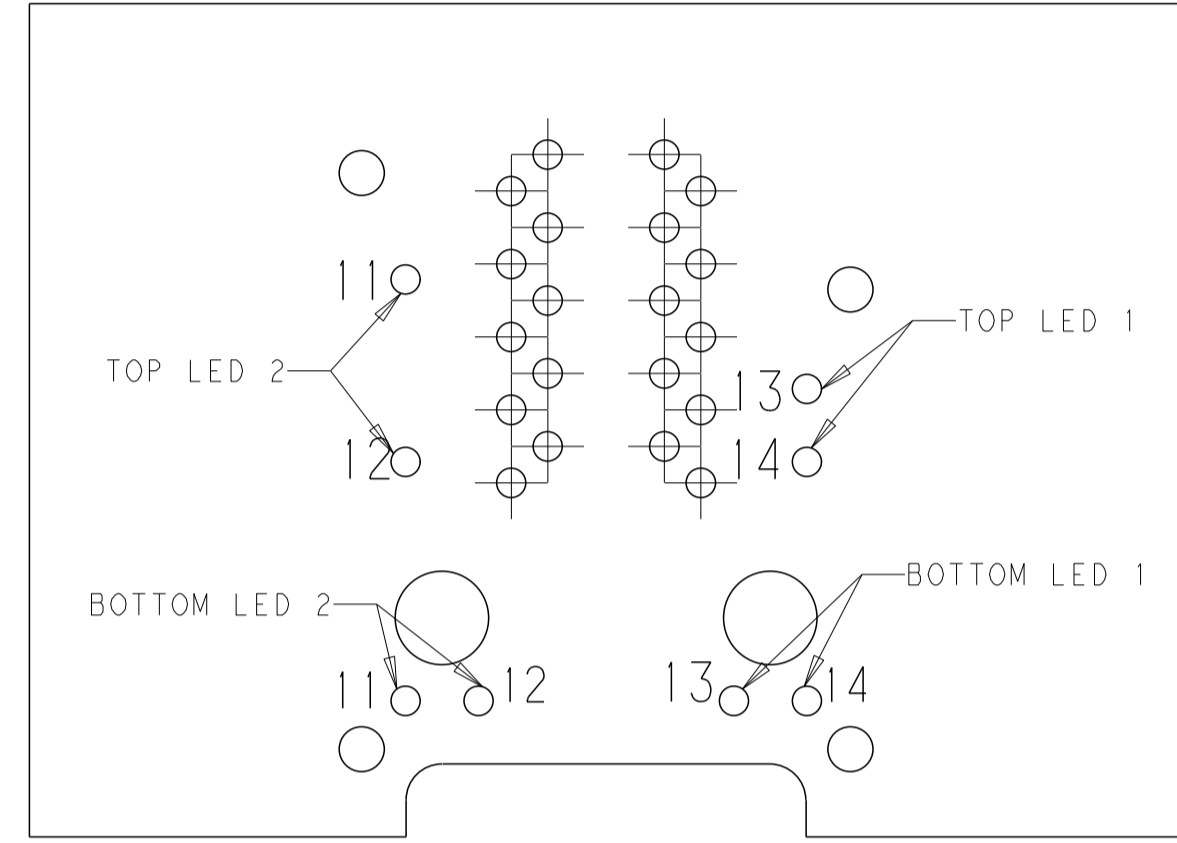
IT IS RECOMMENDED THAT SHADED AREA OF CUSTOMER PC BOARD BE CLEAR OF ANY VIA HOLE, COMPONENT AND CIRCUIT TRACE



SHOWN WITH PANEL AND
 CUSTOMER PCB ASSEMBLY

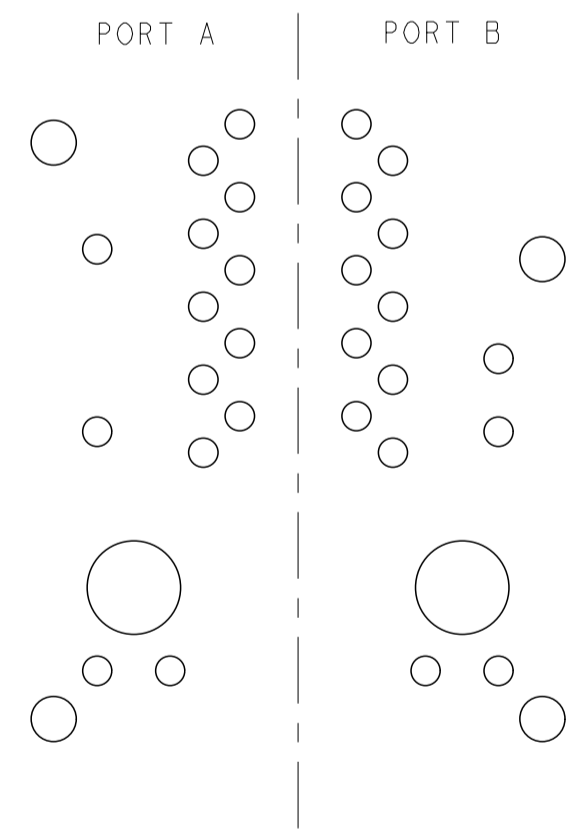
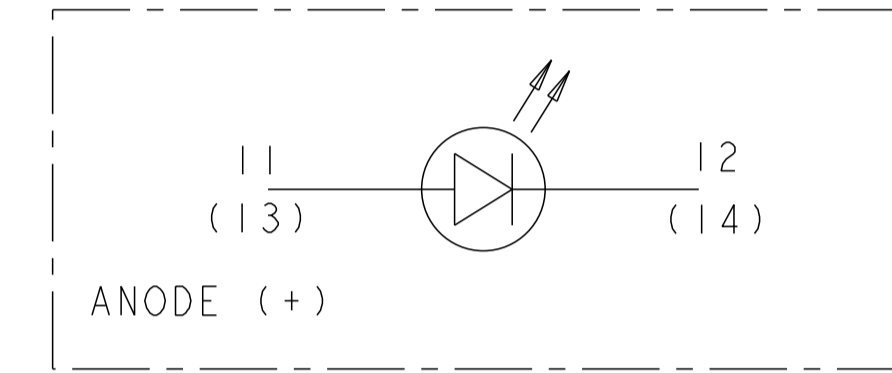
SUGGESTED PANEL CUTOUT DIMENSIONS

THIS DRAWING IS A CONTROLLED DOCUMENT.		OWN: 30MAY2011 GABRIEL Z-FRANK LIU	TRP connector Dongguan China
DIMENSIONS: mm		CHK: 30MAY2011 TONY YUAN	
		APVD: 30MAY2011 KEITH ZHU	
TOLERANCES UNLESS OTHERWISE SPECIFIED:		PRODUCT SPEC	NAME: 2X1 MAG45(TM).GIGABIT S8G56ET
0 PLC ±	1 PLC ±	108-104004	CIRCUIT, GROUND SHIELD, WITH LEDS
2 PLC ±0.25	3 PLC ±	APPLICATION SPEC	SIZE: A1
4 PLC ±	ANGLES ±	WEIGHT: -	RESTRICTED TO: -
FINISH: -		CUSTOMER DRAWING	SCALE: NTS
		CAGE CODE: -	DRAWING NO: C=1840643
		SHEET: 3	OF: 4
		REV: B	


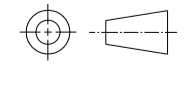


LED HOLE DESIGNATIONS
 VIEWED FROM COMPONENT SIDE

SINGLE COLOR LED



PORT ASSIGNMENT
 COMPONENT SIDE VIEW

THIS DRAWING IS A CONTROLLED DOCUMENT.		OWN: 30MAY2011 GABRIEL Z-FRANK LIU	 TRP connector Dongguan China
DIMENSIONS: mm		CHK: TONY YUAN 30MAY2011	
		APVD: KEITH ZHU 30MAY2011	
TOLERANCES UNLESS OTHERWISE SPECIFIED:		PRODUCT SPEC	NAME
0 PLG ±		108-104004	2X1 MAG45(TM).GIGABIT S8G56ET
1 PLG ±		APPLICATION SPEC	CIRCUIT, GROUND SHIELD, WITH LEDS
2 PLG ±0.25			
3 PLG ±			
4 PLG ±			
ANGLES			
FINISH			
MATERIAL		WEIGHT	RESTRICTED TO
CUSTOMER DRAWING		SCALE	SHEET 4 OF 4 REV B
		NTS	