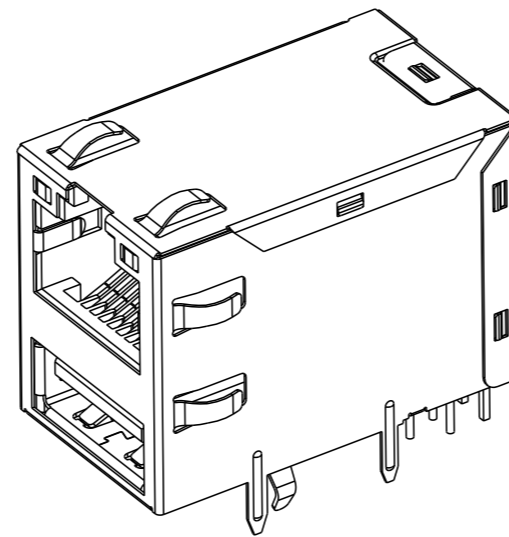
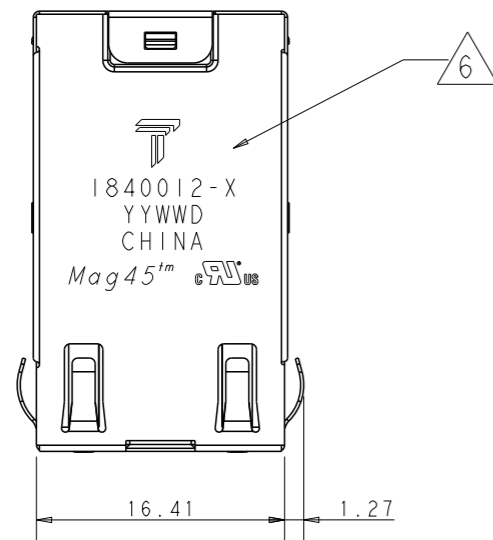


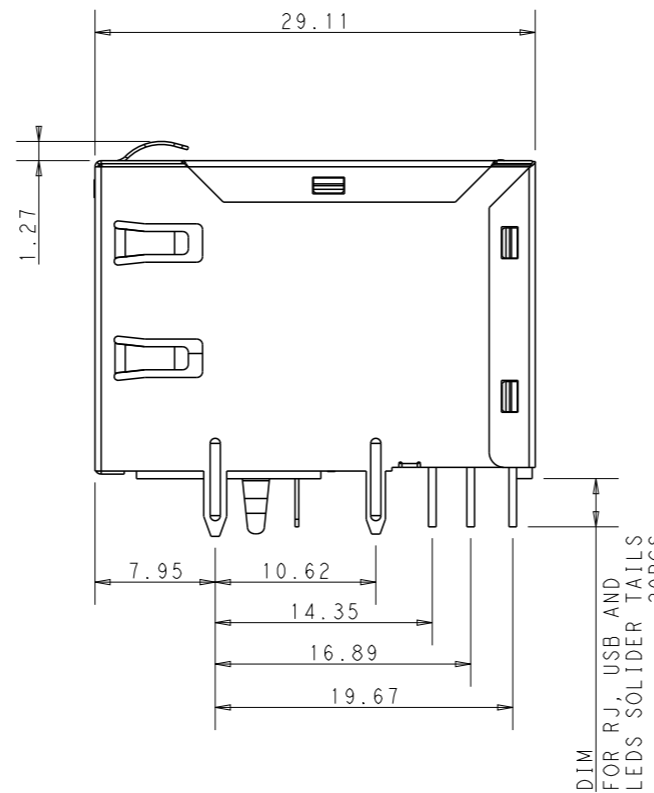
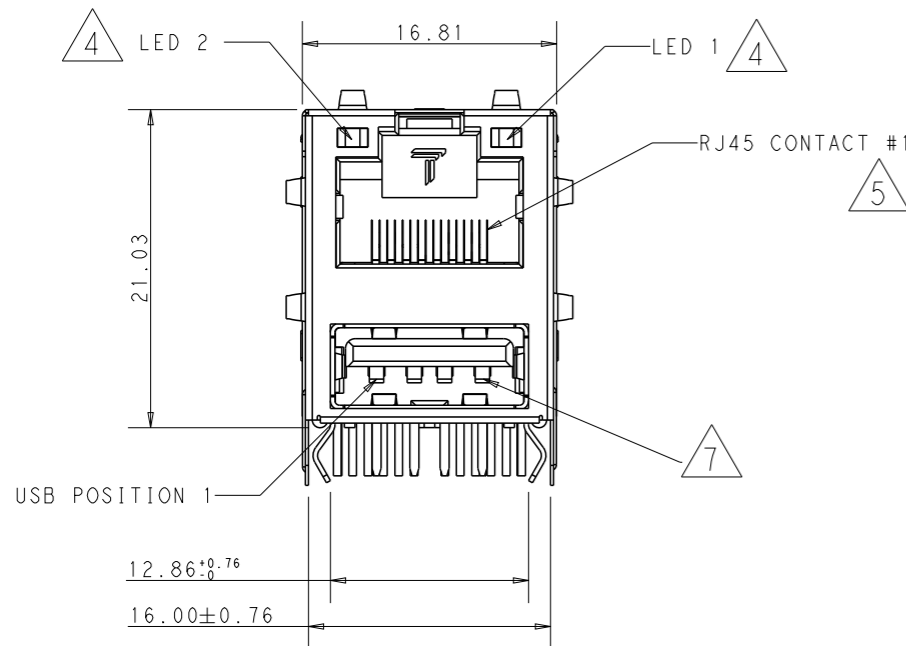
P	LTR	DESCRIPTION	DATE	DWN	APVD
G		LOGO CHANGE	07APR2013	PP	KZ




- ①. RJ45 MATERIALS
 HOUSING: THERMOPLASTIC, BLACK, FLAMMABILITY RATED UL 94V-0
 SHIELD: BRASS, 0.2 mm THICK
 PREPLATED WITH MIN 0.76 μ m SEMI-BRIGHT NICKEL
 POST DIPPED WITH 2.54 μ m MIN SAC SOLDER AT GROUND PINS.
 CONTACT: PHOSPHOR BRONZE, WITH 1.27 μ m MIN OVERALL NICKEL UNDERPLATE
 AND SELECTIVE 1.27 μ m MIN GOLD PLATING AT MATING INTERFACE
 SOLDER TAIL: COPPER STEEL, PLATED WITH 2.54 μ m MIN MATTE TIN
 LED: DIFFUSED EPOXY LENS, 0.5 mm SQUARE CARBON STEEL WIREFRAME
 LEADS PREPLATED WITH 2.03 μ m MIN SILVER OVER 1.02 μ m MIN
 NICKEL OVER 1.02 μ m MIN COPPER UNDERPLATE
 POST PLATED WITH 2.54 μ m MIN MATTE TIN OR SAC TIN SOLDER DIP
 USB MATERIALS:
 HOUSING: THERMOPLASTIC, FLAMMABILITY RATED UL94V-0
 CONTACT: COPPER ALLOY WITH 0.76 MIN GOLD PLATING OVER 1.27 μ m MIN
 OVERALL NICKEL UNDERPLATE
 SHELL: COPPER ALLOY, PREPLATED WITH MIN 0.76 μ m SEMI-BRIGHT NICKEL,
 2.54 μ m TIN PLATED

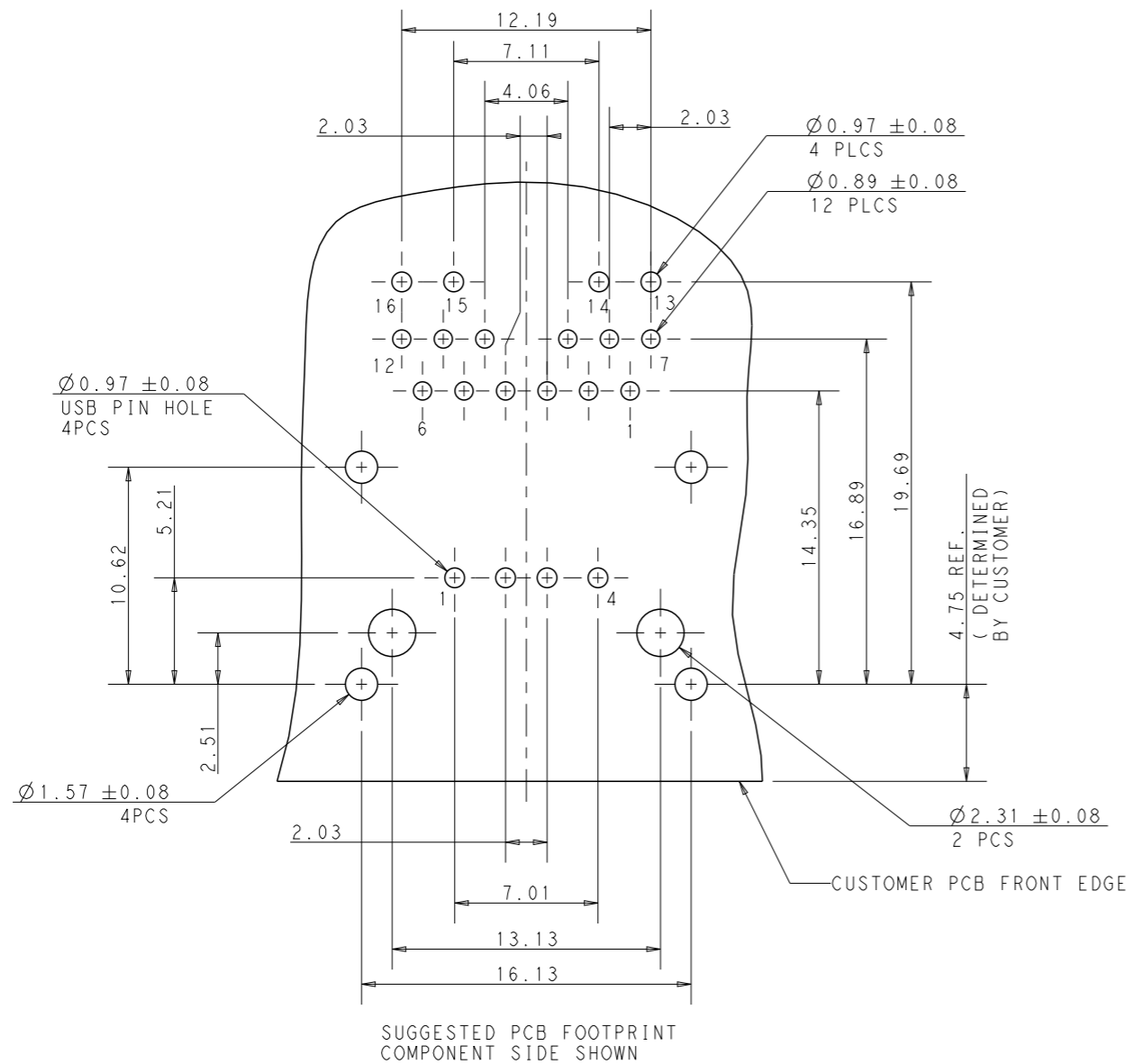
- ②. APPLICATION: 10/100/1000 BASE-T
 IMPEDANCE: 100 OHMS
 TURNS RATIO(CHIP:CABLE): 1:1 ALL FOUR PAIRS
 OPEN CIRCUIT INDUCTANCE(OCL): 350 μ H MIN @100kHz, 0.1 VRMS,
 8mADC BIAS FROM 0°C TO 70°C, ALL FOUR PAIRS
 ALL FOUR PAIRS BI-DIRECTIONAL
 PERFORMANCE @ 25°C:
 INSERTION LOSS (IL): 1.1 dB MAX FROM 0.5MHz TO 100MHz
 RETURN LOSS (RL): 18dB MIN FROM 0.5MHz TO 40MHz
 12-20LOG(f/80)dB MIN FROM 40.1 MHz TO 100MHz
 CROSSTALK ATTENUATION: 35 dB MIN FROM 0.5 MHz TO 40 MHz
 33-20LOG(f/50) dB MIN FROM 40.1 MHz TO 100 MHz
 COMMON MODE REJECTION RATIO (CMRR): 30dBMIN FROM 0.5MHz TO 100MHz
 ISOLATION VOLTAGE: COMPLIES WITH IEEE802.3 2002, PARA 40.6.1.1, ITEM b

- ③. OPERATING TEMPERATURE 0°C TO +70°C.
- ④. LED IS DRIVEN WITH CONSTANT CURRENT APPROX 20 mA
 DOMINANT WAVE LENGTH(λ D): GREEN 568 nm TYP, AT IF=20mA
 FORWARD VOLTAGE(VF): GREEN 2.2V AT IF=20mA
 DOMINANT WAVE LENGTH(λ D): YELLOW 588 nm TYP, AT IF=20mA
 FORWARD VOLTAGE(VF): YELLOW 2.1V AT IF=20mA
 DOMINANT WAVE LENGTH(λ D): ORANGE 608 nm TYP, AT IF=20mA
 FORWARD VOLTAGE(VF): ORANGE 2.1V AT IF=20mA
- ⑤. RJ45 CAVITY CONFORMS TO FCC RULES AND REGULATION PART 68 SUBPART F.
- ⑥. TRP CONNECTOR LOGO, PART NUMBER, DATE CODE, COUNTRY OF ORIGIN AND AGENCY LOGO TO BE MARKED IN APPROXIMATE LOCATION SHOWN. DATE CODE: "YY" IS YEAR, "WW" IS WORK WEEK, "D" IS DAY OF WEEK, WITH SUNDAY=1
- ⑦. MATING INTERFACE COMPLIES WITH USB SPECIFICATION REV 2.0.
- ⑧. THESE PARTS ARE RECOMMENDED FOR WAVE SOLDERING PROCESS, PREHEAT TEMPERATURE IS 120°C TO 160°C, 120 SECONDS TO 180 SECONDS, PEAK WAVE SOLDERING TEMPERATURE IS 260°C MAX, 10 SECONDS MAX.

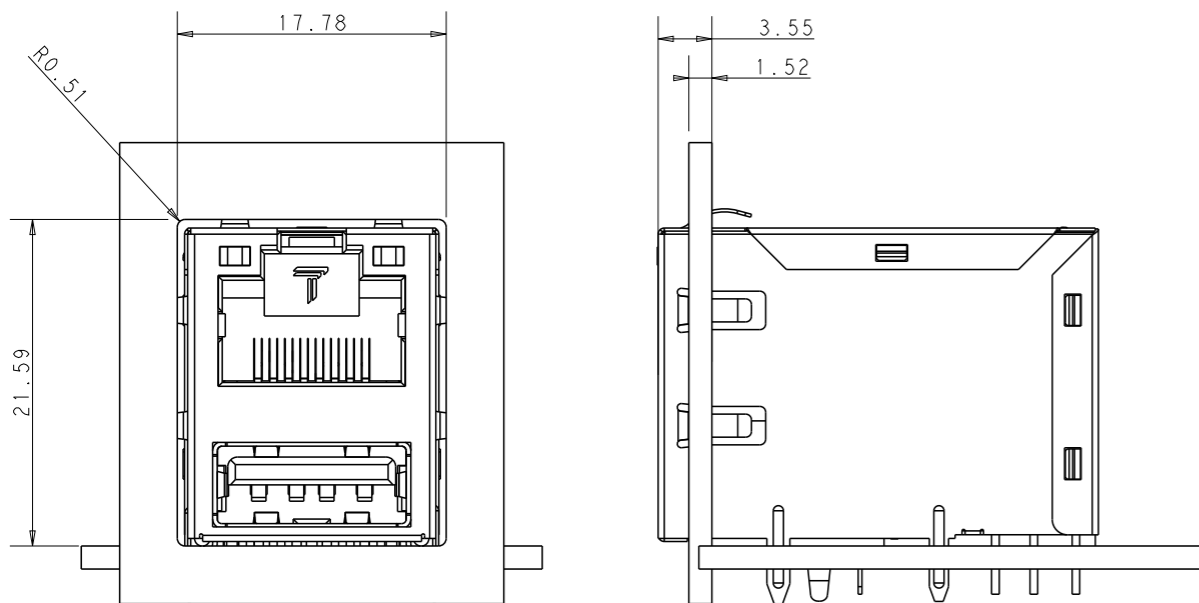


NO	3.81	GREEN/ORANGE	YELLOW	1-1840012-2
TID# 62001133	3.18	GREEN/ORANGE	YELLOW	1840012-2
NO	3.18	GREEN	GREEN	1840012-1
TID NO.	DIM A	LED 2	LED 1	PART NUMBER

THIS DRAWING IS A CONTROLLED DOCUMENT.		DWN SKY ZHAO 23-JAN-08	 TRP connector Dongguan China	
DIMENSIONS: mm		CHK KEITH ZHU 23-JAN-08		
TOLERANCES UNLESS OTHERWISE SPECIFIED:		APVD TEDDY XIONG 23-JAN-08		
0 PLC ±- 1 PLC ±- 2 PLC ±0.25 3 PLC ±0.25 4 PLC ±- ANGLES ±-		PRODUCT SPEC 108-104005		
MATERIAL -		FINISH -	NAME MAG45(TM) OVER SINGLE USB URG41 GIGABIT CIRCUIT WITH LEDS	
		WEIGHT -	SIZE A3	CAGE CODE 00779
			DRAWING NO C=1840012	RESTRICTED TO -
		CUSTOMER DRAWING	SCALE 2:1	SHEET 1 OF 2 REV G

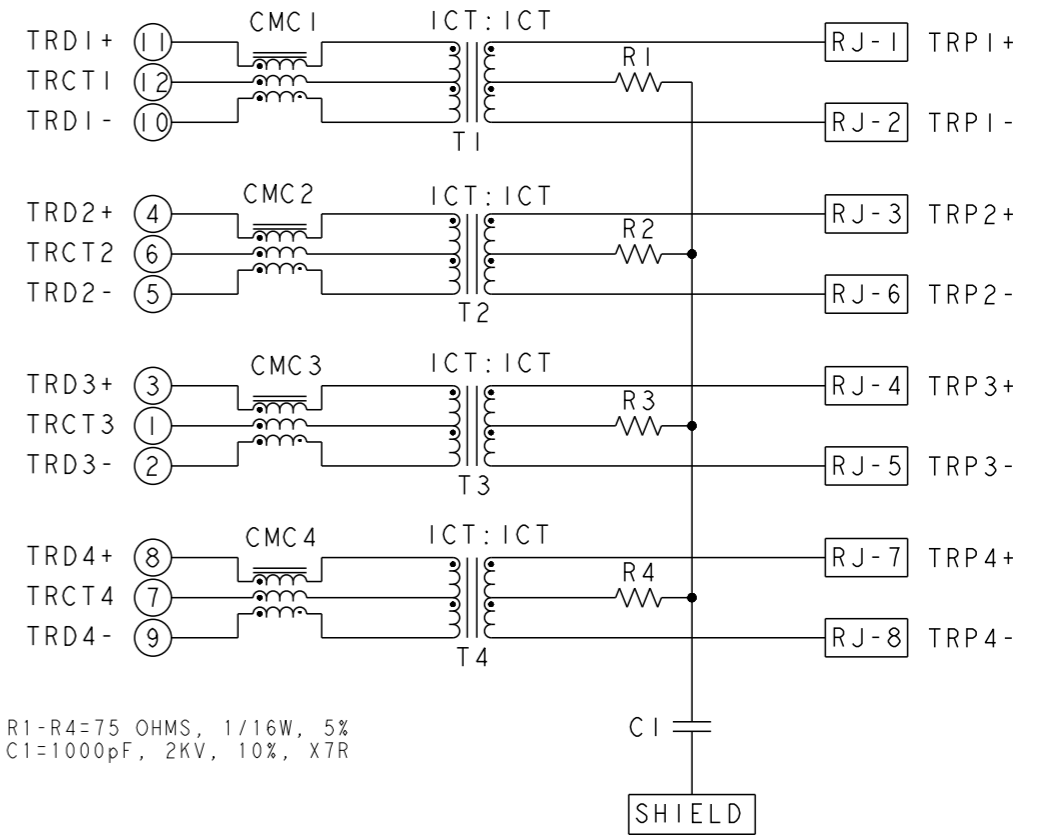


SUGGESTED PCB FOOTPRINT COMPONENT SIDE SHOWN

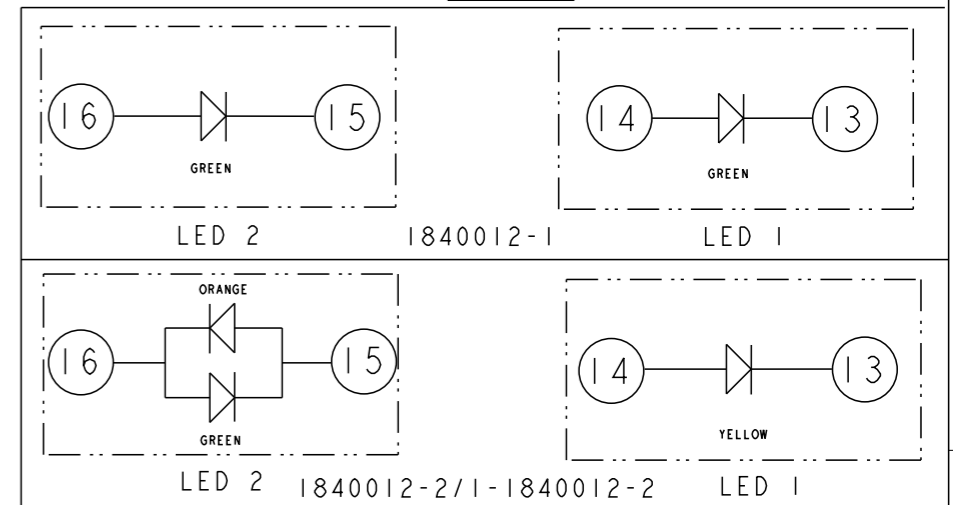


SUGGESTED PANEL CUT-OUT DIMENSION

URG41 GIGABIT CIRCUIT



R1-R4=75 OHMS, 1/16W, 5%
C1=1000pF, 2KV, 10%, X7R



THIS DRAWING IS A CONTROLLED DOCUMENT.

DIMENSIONS: mm		TOLERANCES UNLESS OTHERWISE SPECIFIED:	
		0 PLC	±-
		1 PLC	±-
		2 PLC	±0.25
		3 PLC	±0.25
		4 PLC	±-
		ANGLES	±-
MATERIAL	-	FINISH	-

DWN	SKY ZHAO	23-JAN-08
CHK	KEITH ZHU	23-JAN-08
APVD	TEDDY XIONG	23-JAN-08
PRODUCT SPEC	108-104005	
APPLICATION SPEC	-	
WEIGHT	-	
CUSTOMER DRAWING		



TRP connector
Dongguan China

NAME MAG45(TM) OVER SINGLE USB URG41 GIGABIT CIRCUIT WITH LEDS			
SIZE	CAGE CODE	DRAWING NO	RESTRICTED TO
A3	00779	C=1840012	-
SCALE 1:1		SHEET 2 OF 2	REV G