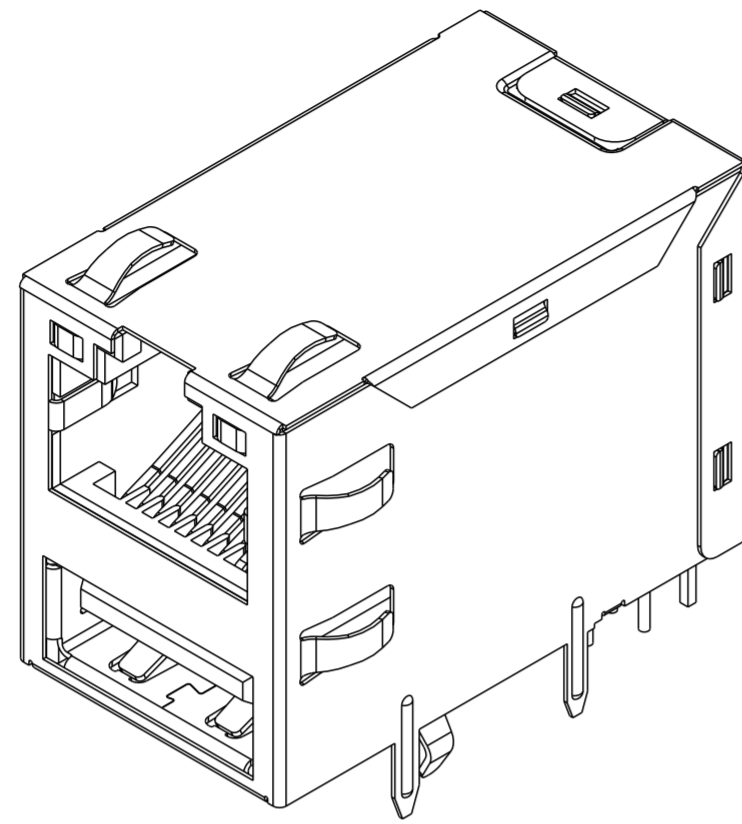
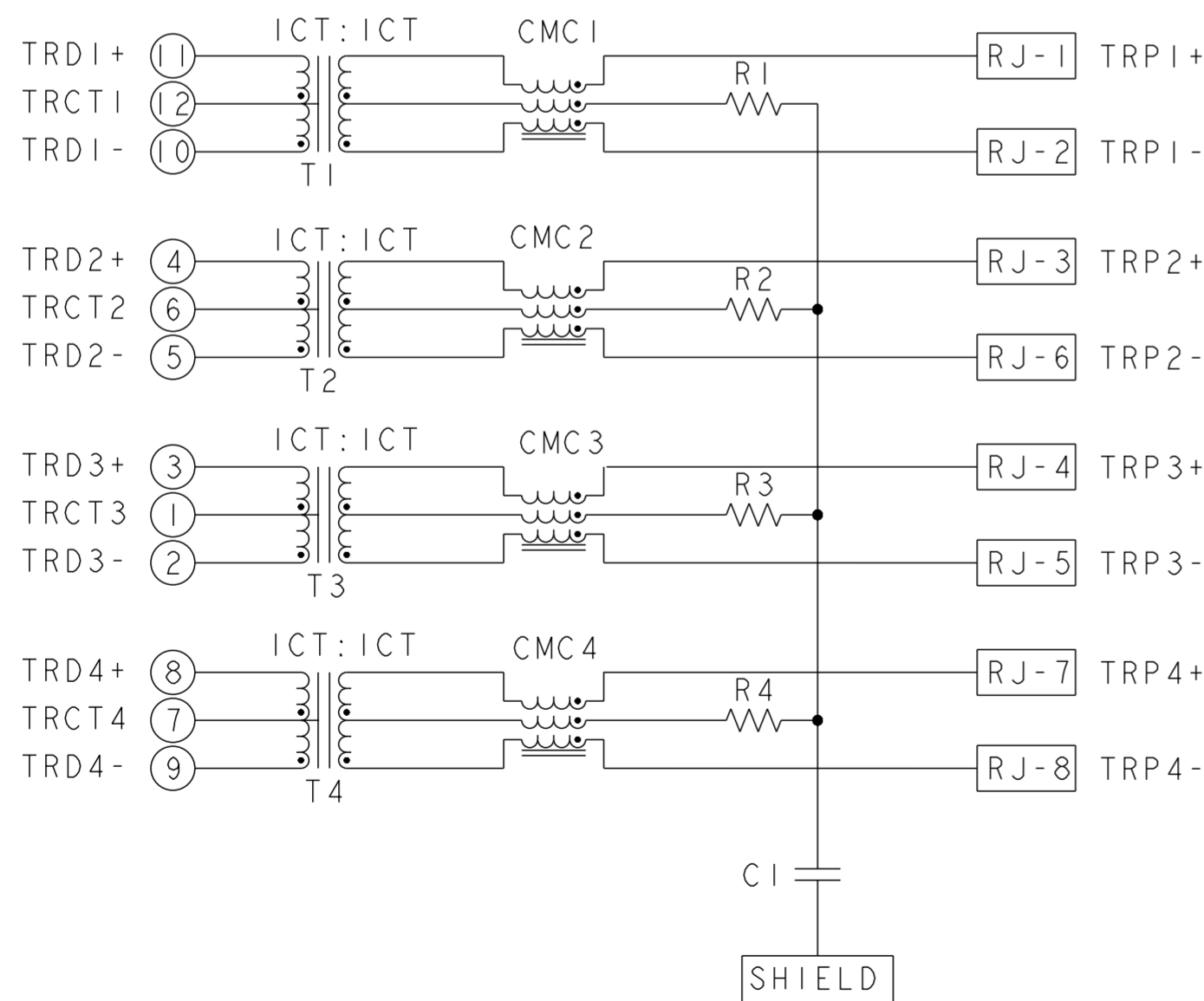


REVISIONS				
P	LTR	DESCRIPTION	DATE	APVD
C		LOGO CHANGE	07APR2013	PP KZ



△ URG18ET GIGABIT CIRCUIT



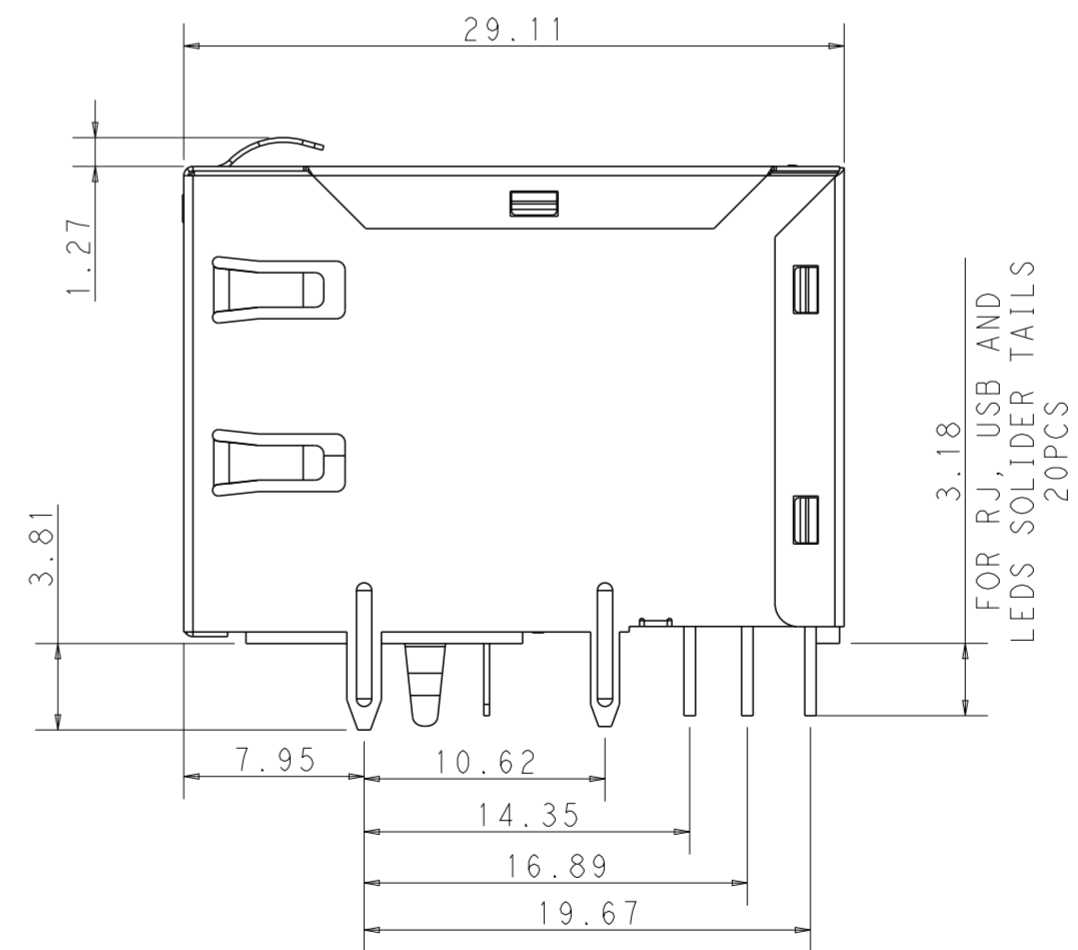
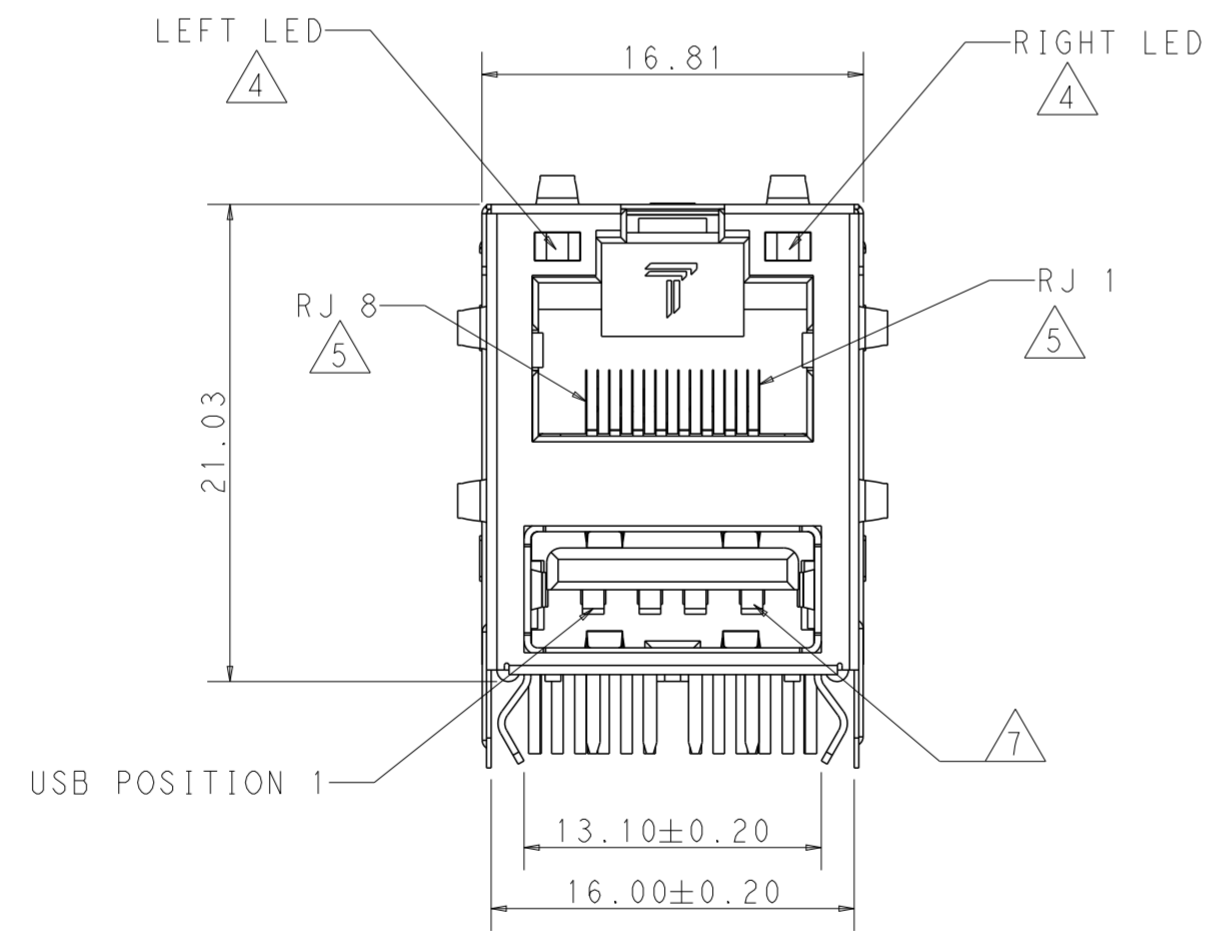
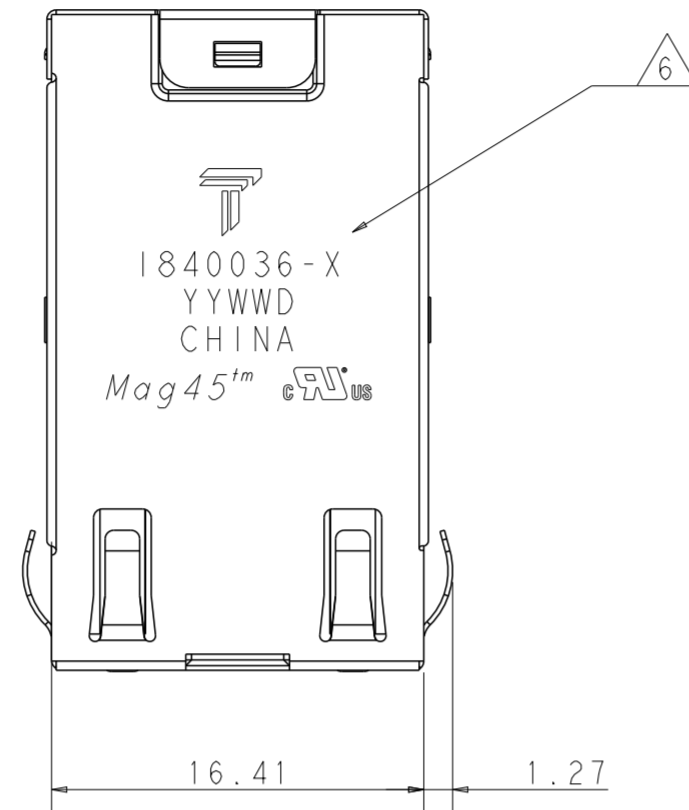
C1=1000pF, 2KV, ±10%, DECOUPLING CAPACITOR.
R1-R4=75 ohms, 1/16W, ±5%, RESISTORS.

- △ 1 RJ45 MATERIALS
 - HOUSING: THERMOPLASTIC, BLACK, FLAMMABILITY RATED UL 94V-0
 - SHIELD: BRASS, 0.2 mm THICK, PREPLATED WITH MIN 0.76 μm SEMI-BRIGHT NICKEL POST DIPPED WITH 2.54 μm MIN SAC SOLDER AT GROUND PINS
 - CONTACT: PHOSPHOR BRONZE, WITH 1.27 μm MIN OVERALL NICKEL UNDERPLATE AND SELECTIVE 1.27 μm MIN GOLD PLATING AT MATING INTERFACE
 - SOLDER TAIL: COPPER STEEL, PLATED WITH 2.54 μm MIN MATTE TIN
 - LED: DIFFUSED EPOXY LENS, 0.5 mm SQUARE CARBON STEEL WIREFRAME LEADS PREPLATED WITH 2.03 μm MIN SILVER OVER 1.02 μm MIN NICKEL OVER 1.02 μm MIN COPPER UNDERPLATE. POST PLATED WITH 2.54 μm MIN MATTE TIN OR SAC TIN SOLDER DIP
- USB MATERIALS:
 - HOUSING: THERMOPLASTIC, FLAMMABILITY RATED UL94V-0
 - CONTACT: COPPER ALLOY WITH 0.76 μm MIN GOLD PLATING OVER 1.27 μm MIN OVERALL NICKEL UNDERPLATE
 - SHELL: COPPER ALLOY, PREPLATED WITH MIN 0.76 μm SEMI-BRIGHT NICKEL, 2.54 μm TIN PLATED
- △ 2 MAGNETICS
 - APPLICATION: 10/100/1000 BASE-T, EXTENDED TEMPERATURE
 - IMPEDANCE: 100 OHMS
 - TURNS RATIO(CHIP:CABLE): 1:1 ALL FOUR PAIRS
 - OPEN CIRCUIT INDUCTANCE (OCL): 350uH MIN @100kHz, 0.1 VRMS, 8mADC BIAS FROM -40°C TO 85°C, ALL FOUR PAIRS
 - ALL FOUR PAIRS BI-DIRECTIONAL
 - PERFORMANCE @ 25°C:
 - INSERTION LOSS (IL): 1.1 dB MAX FROM 0.5MHz TO 100MHz
 - RETURN LOSS (RL): 18dB MIN FROM 0.5MHz TO 40MHz
 - 12-20LOG(f/80)dB MIN FROM 40.1 MHz TO 100MHz
 - CROSSTALK ATTENUATION: 35 dB MIN FROM 0.5 MHz TO 40 MHz
 - 33-20LOG(f/50) dB MIN FROM 40.1 MHz TO 100 MHz
 - COMMON MODE REJECTION RATIO (CMRR): 30dB MIN FROM 0.5MHz TO 100MHz
 - ISOLATION VOLTAGE: 2250VDC (MAX) FOR 60 SECONDS WITH A RISE TIME OF 500V/SEC AND WITH ALL PORTS CONNECTED (FOR SINGLE PORT PRODUCT ISOLATION VOLTAGE: 2250VDC (MAX) FOR 60 SECONDS WITH A RISE TIME OF 500V/SEC)

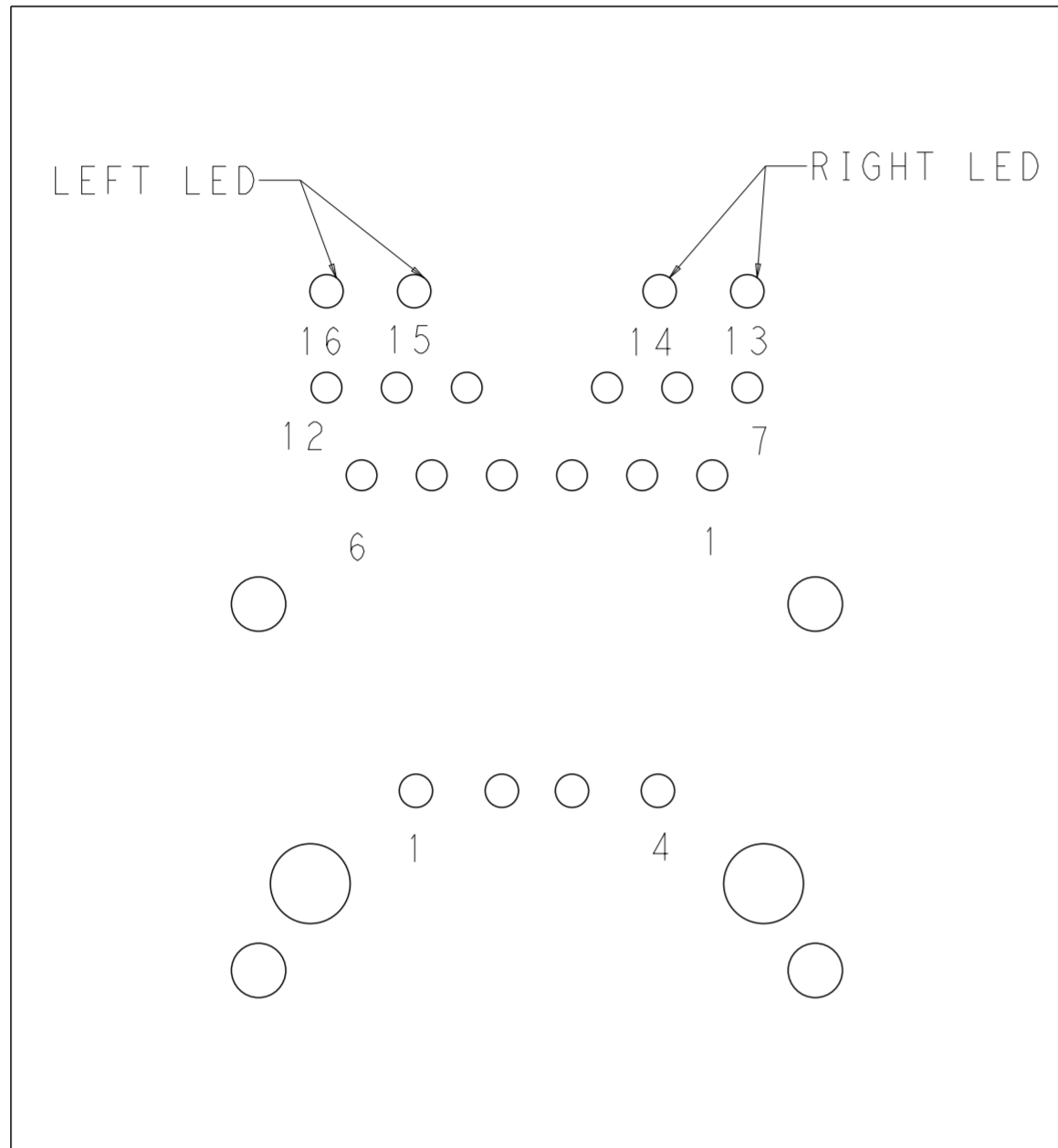
- 3. OPERATING TEMPERATURE -40°C TO +85°C.
- △ 4 LED IS DRIVEN WITH CONSTANT CURRENT APPROX 20 mA
 - DOMINANT WAVE LENGTH(λD): GREEN 568 nm TYP, AT IF=20mA
 - FORWARD VOLTAGE(VF): GREEN 2.2V AT IF=20mA
 - DOMINANT WAVELENGTH (λD): YELLOW 588 nm TYP. @ IF=20mA
 - FORWARD VOLTAGE (VF): YELLOW 2.1V TYP. @ IF=20mA
 - DOMINANT WAVELENGTH (λD): ORANGE 605 nm TYP. @ IF=20mA
 - FORWARD VOLTAGE (VF): ORANGE 2.1V TYP. @ IF=20mA
- △ 5 RJ45 CAVITY CONFORMS TO FCC RULES AND REGULATION PART 68 SUBPART F.
- △ 6 TRP LOGO, PART NUMBER, DATE CODE, COUNTRY OF ORIGIN AND AGENCY LOGO TO BE MARKED IN APPROXIMATE LOCATION SHOWN.
DATE CODE: "YY" IS YEAR, "WW" IS WORK WEEK, "D" IS DAY OF WEEK, WITH SUNDAY=1
- △ 7 MATING INTERFACE COMPLIES WITH USB SPECIFICATION REV 2.0.
- 8. THESE PARTS ARE COMPLIANT WITH WAVE SOLDERING PROCESS, PEAK SOLDERING TEMPERATURE IS 260°C MAX, 10 SECONDS MAX.

GREEN/ORANGE	YELLOW	1-1840036-3
GREEN	GREEN	1840036-1
LEFT LED	RIGHT LED	PART NUMBER

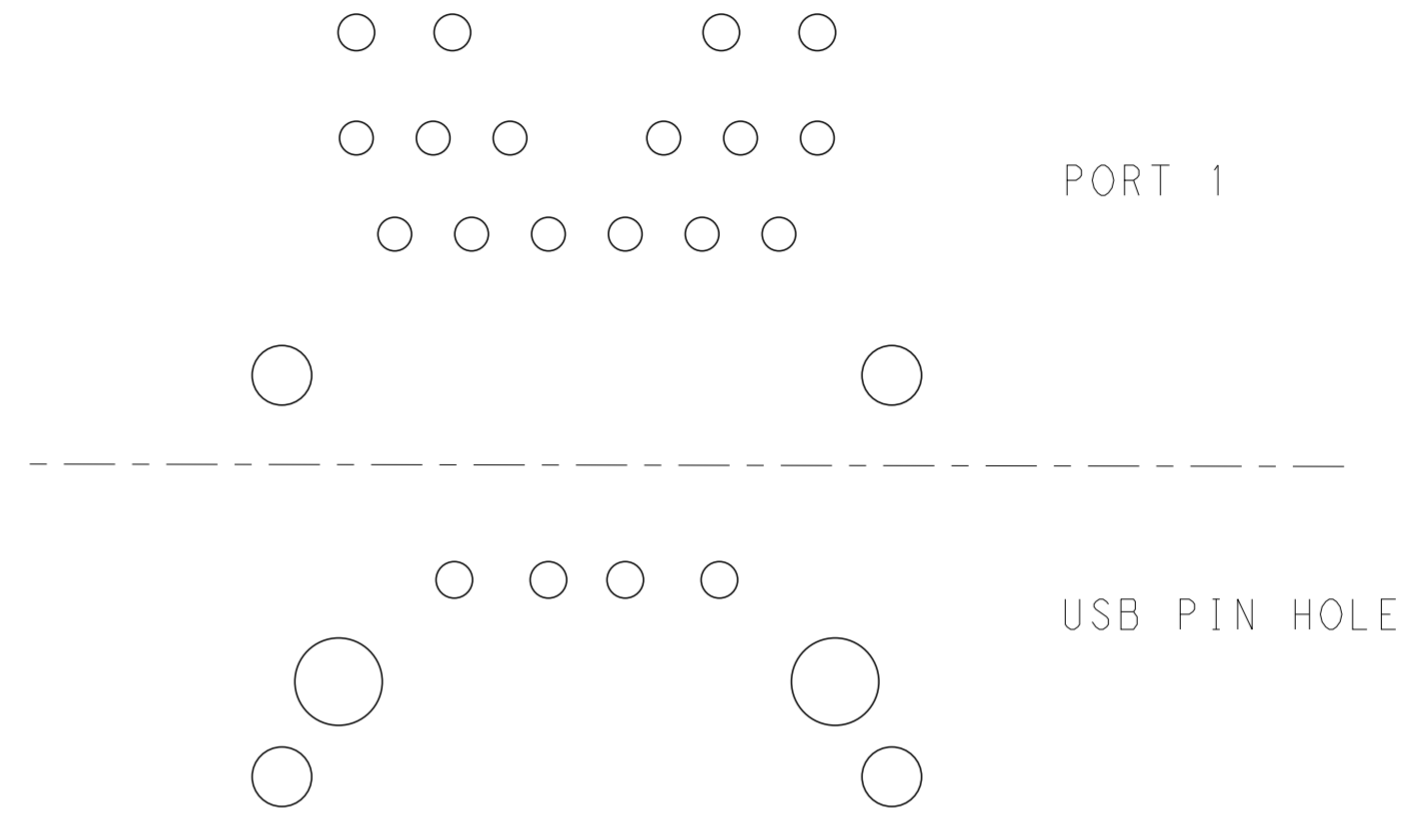
THIS DRAWING IS A CONTROLLED DOCUMENT.		DWN PAUL PENG 28FEB2011	 TRP connector Dongguan China	
DIMENSIONS: mm		CHK QUENTIN LIU 28FEB2011		
TOLERANCES UNLESS OTHERWISE SPECIFIED:		APVD LI JUN RAO 28FEB2011		
0 PLC ±- 1 PLC ±- 2 PLC ±0.25 3 PLC ±0.25 4 PLC ±- ANGLES ±- FINISH ±-		PRODUCT SPEC 108-104005		
MATERIAL	△ 1	CUSTOMER DRAWING	NAME MAG45(TM) OVER SINGLE USB URG18ET GIGABIT CIRCUIT WITH LEDS	RESTRICTED TO
		WEIGHT -	SIZE A2	CAGE CODE 00779
		SCALE 3:1	DRAWING NO C-1840036	SHEET 1 OF 4
			REV C	



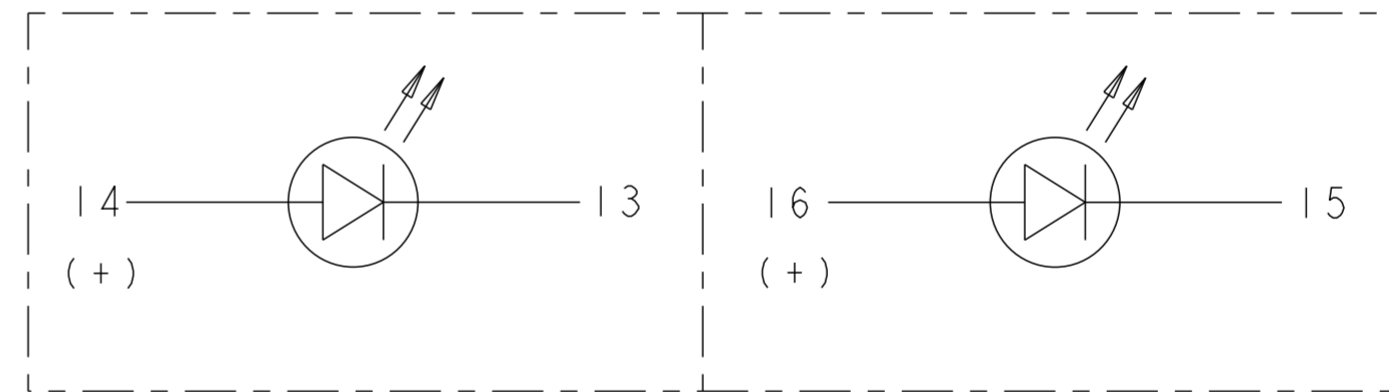
THIS DRAWING IS A CONTROLLED DOCUMENT.		DWN PAUL PENG 28FEB2011	 TRP connector Dongguan China	
DIMENSIONS: mm		CHK QUENTIN LIU 28FEB2011		
TOLERANCES UNLESS OTHERWISE SPECIFIED:		APVD LIJUN RAO 28FEB2011		
0 PLC ±	1 PLC ±	PRODUCT SPEC 108-104005	NAME MAG45(TM) OVER SINGLE USB URG18ET GIGABIT CIRCUIT WITH LEDS	
2 PLC ±0.25	3 PLC ±0.25	APPLICATION SPEC -	SIZE	CAGE CODE
4 PLC ±	ANGLES ±	WEIGHT -	A200779	C-1840036
MATERIAL FINISH		CUSTOMER DRAWING	SCALE 3:1	SHEET 2 OF 4
				REV C



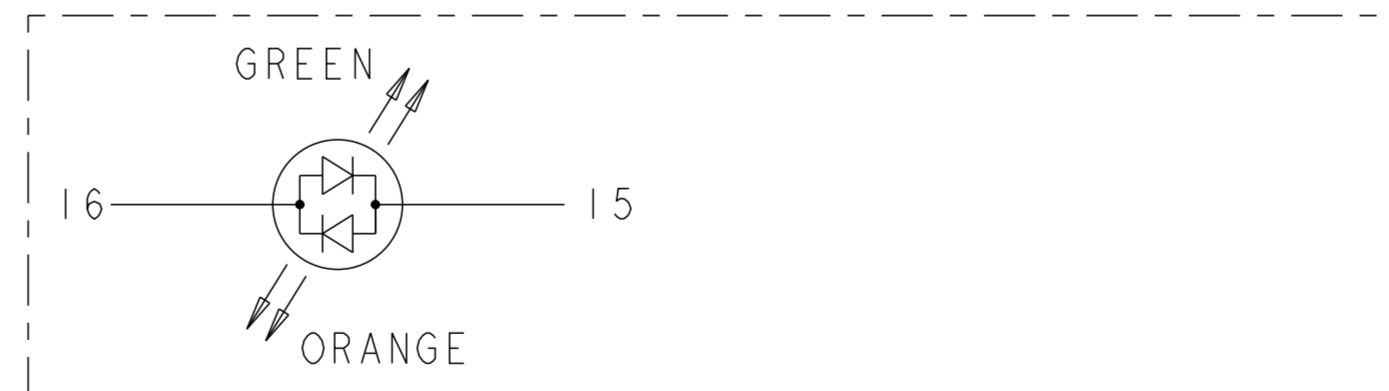
SCALE 5:1
FRONT PRINT
COMPONENT SIDE




SINGLE COLOR LED



BI-COLOR LED



THIS DRAWING IS A CONTROLLED DOCUMENT.		DWN PAUL PENG 28FEB2011	 TRP connector Dongguan China	
DIMENSIONS: mm		CHK QUENTIN LIU 28FEB2011		
TOLERANCES UNLESS OTHERWISE SPECIFIED:		APVD LI JUN RAO 28FEB2011		
0 PLC ± 1 PLC ± 2 PLC ±0.25 3 PLC ±0.25 4 PLC ± ANGLES ± FINISH		PRODUCT SPEC 108-104005	NAME MAG45(TM) OVER SINGLE USB URG18ET GIGABIT CIRCUIT WITH LEDS	RESTRICTED TO
MATERIAL		WEIGHT	SIZE A200779	CAGE CODE C-1840036
		CUSTOMER DRAWING	SCALE 2:1	SHEET 4 OF 4
				REV C