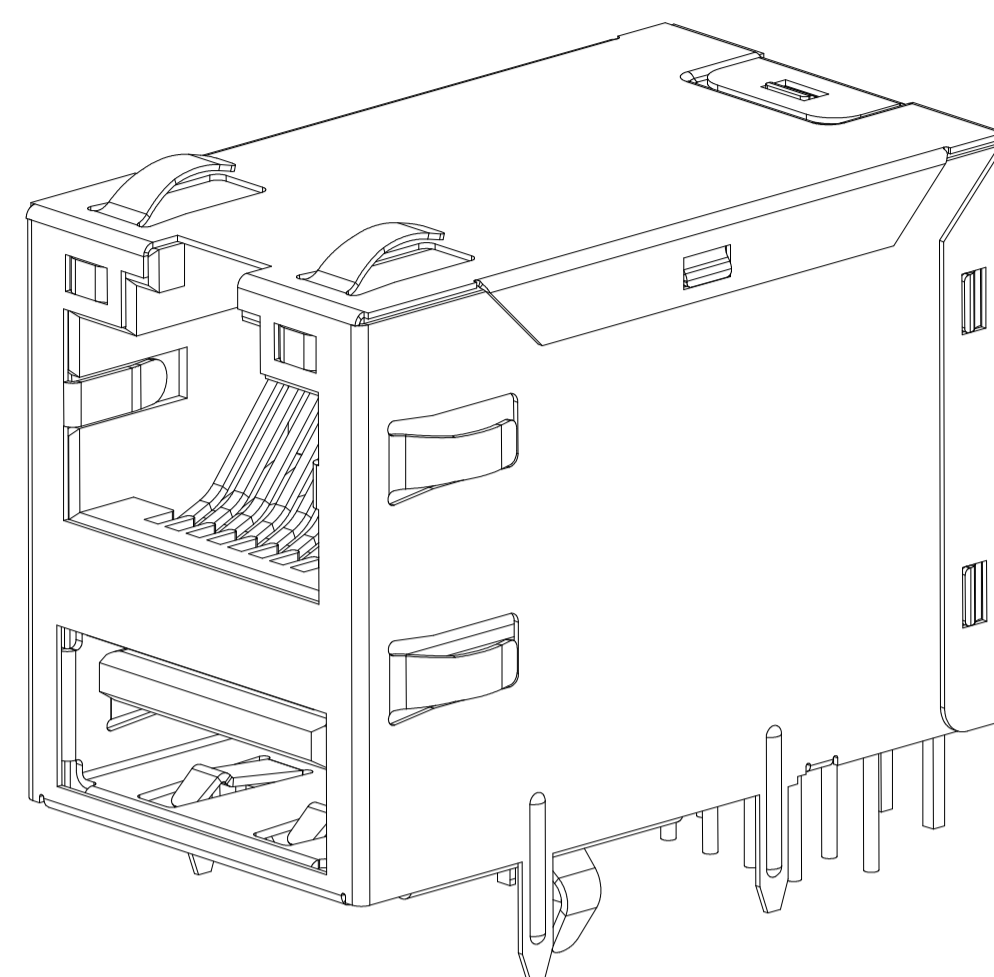
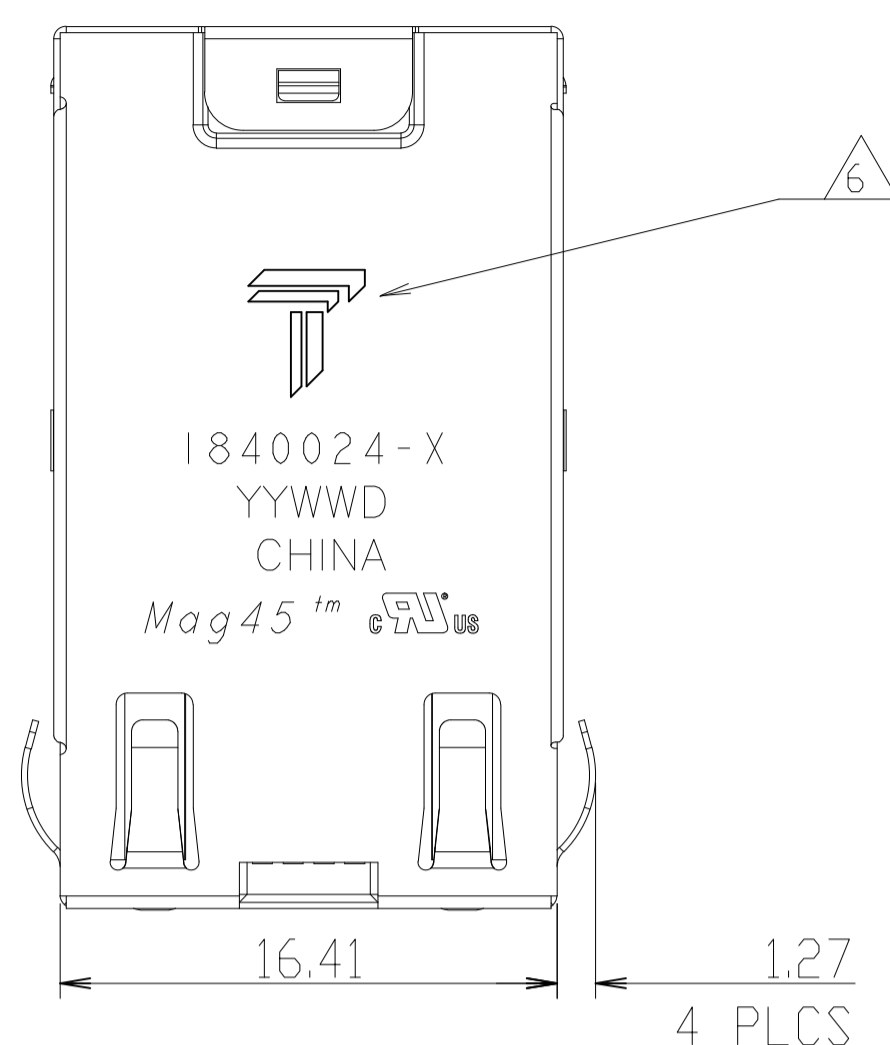
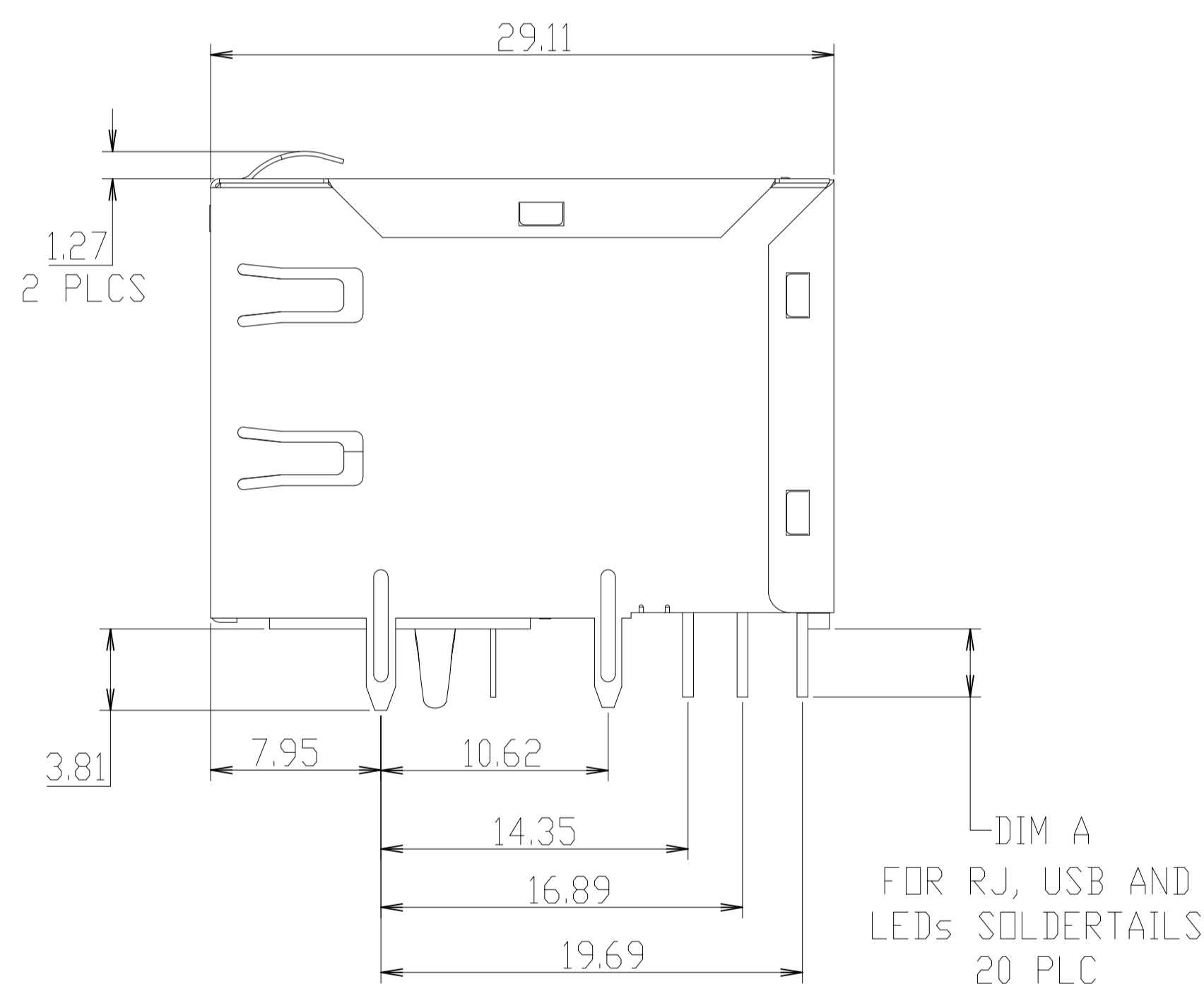
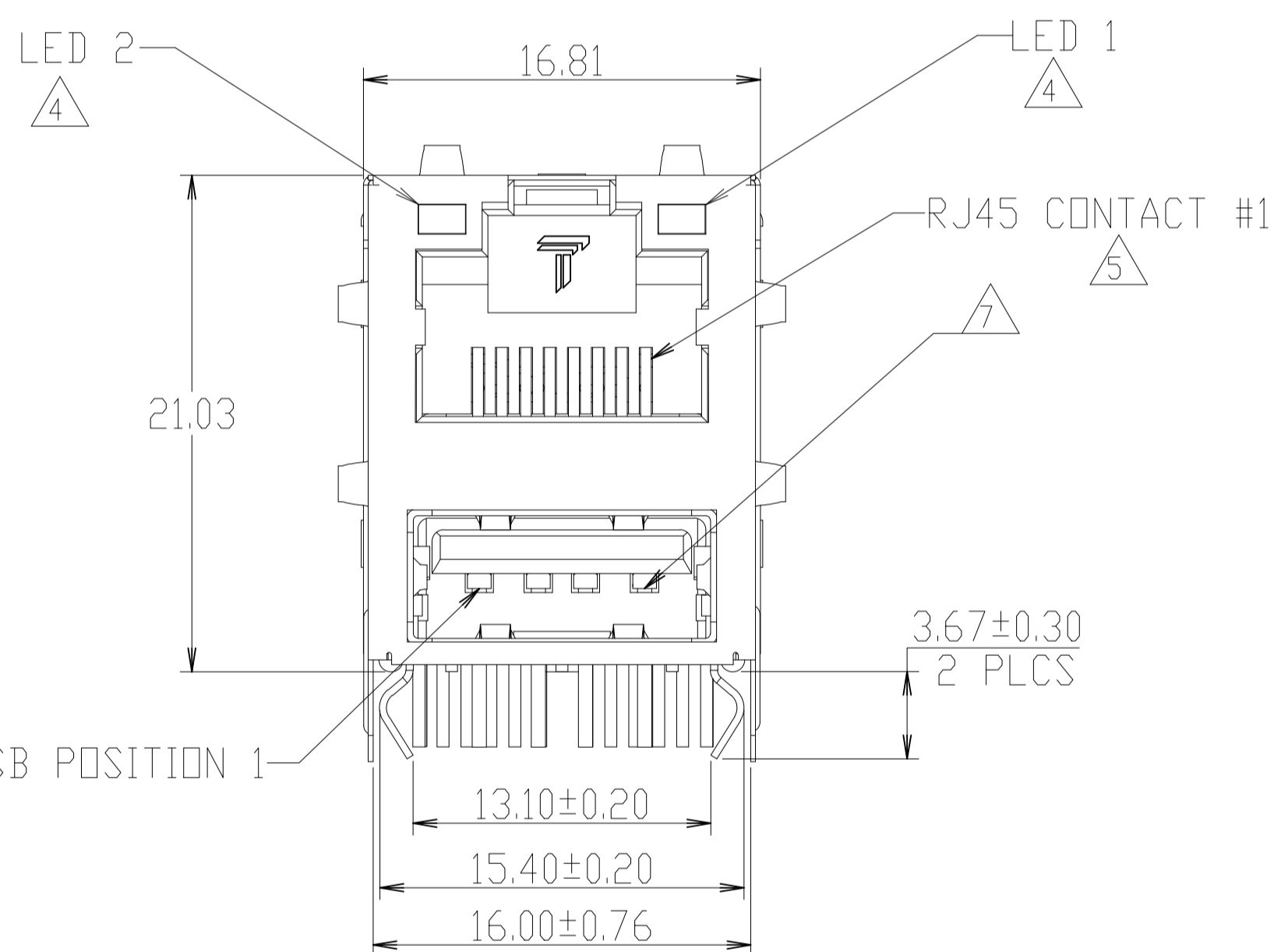


REVISIONS					
P	LTR	DESCRIPTION	DATE	DWN	APVD
D		LOGO CHANGE	07APR2013	PP	KZ



- 1. RJ45 MATERIALS
HOUSING: THERMOPLASTIC, BLACK, FLAMMABILITY RATED UL 94V-0
SHIELD: BRASS, 0.2 mm THICK
PREPLATED WITH MIN 0.76 μm SEMI-BRIGHT NICKEL
POST DIPPED WITH 2.54 μm MIN SAC SOLDER AT GROUND PINS.
CONTACT: PHOSPHOR BRONZE, WITH 1.27 μm MIN OVERALL NICKEL UNDERPLATE
AND SELECTIVE 1.27 μm MIN GOLD PLATING AT MATING INTERFACE
SOLDER TAIL: COPPER STEEL, PLATED WITH 2.54 μm MIN MATTE TIN
LED: DIFFUSED EPOXY LENS, 0.5 mm SQUARE CARBON STEEL WIREFRAME
LEADS PREPLATED WITH 2.03 μm MIN SILVER OVER 1.02 μm MIN
NICKEL OVER 1.02 μm MIN COPPER UNDERPLATE
POST PLATED WITH 2.54 μm MIN MATTE TIN OR SAC TIN SOLDER DIP
- USB MATERIALS:
HOUSING: THERMOPLASTIC, FLAMMABILITY RATED UL 94V-0
CONTACT: COPPER ALLOY WITH 0.76 μm MIN GOLD PLATING OVER 1.27 μm MIN
OVERALL NICKEL UNDERPLATE
SHELL: COPPER ALLOY, PREPLATED WITH MIN 0.76 μm SEMI-BRIGHT NICKEL,
2.54 μm TIN PLATED
- LIGHT PIPE:
POLYCARBONATE, TRANSPARENT, FLAMMABILITY RATED UL 94V-0

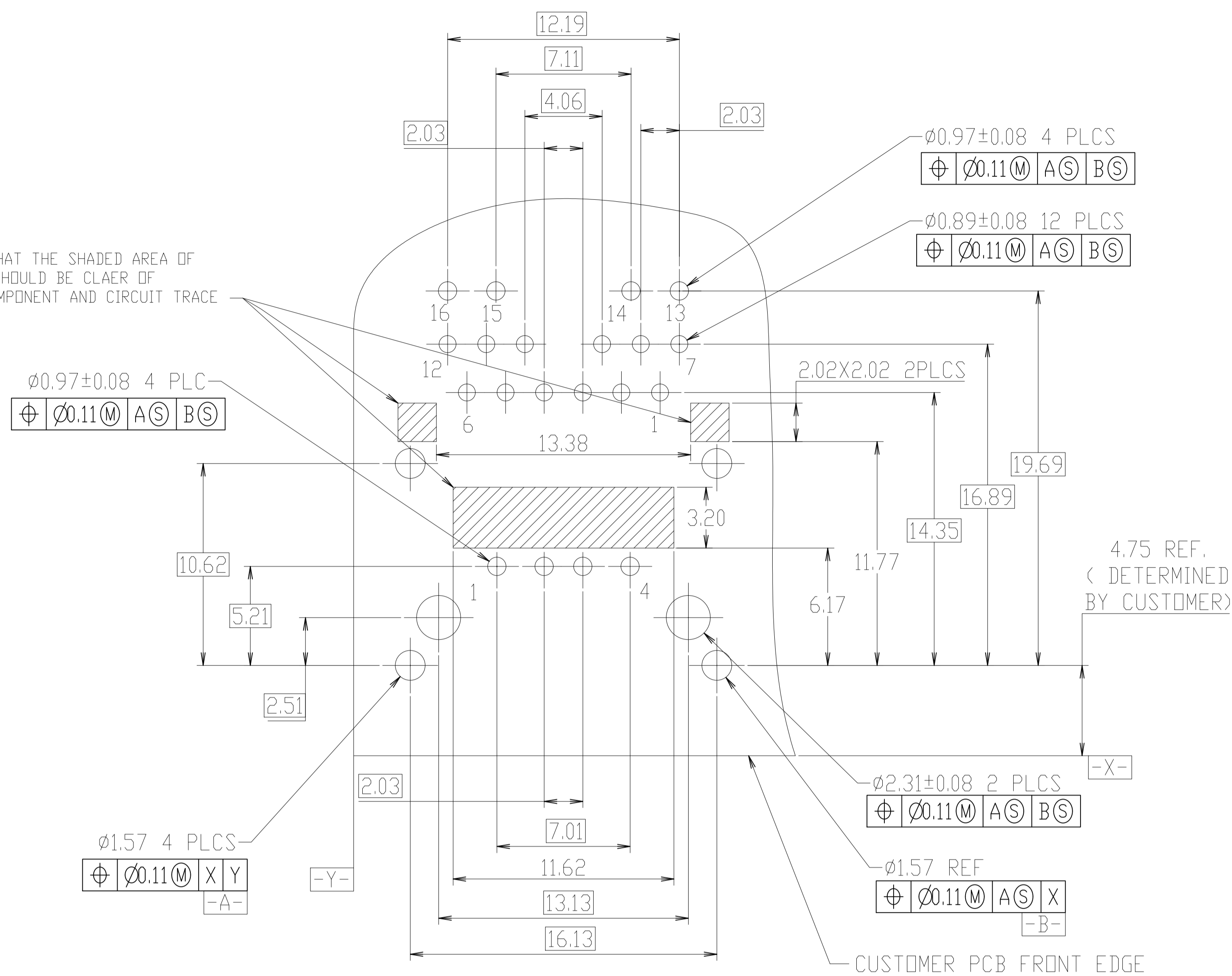


- 2. APPLICATION: 10/100/1000 BASE-T
IMPEDANCE: 100 OHMS
TURNS RATIO (CHIP-CABLE): 1:1 ALL FOUR PAIRS
OPEN CIRCUIT INDUCTANCE (OCL): 350 μH MIN @ 100 kHz, 0.1 VRMS,
8 mA DC BIAS FROM 0°C TO 70°C, ALL FOUR PAIRS
ALL FOUR PAIRS BI-DIRECTIONAL
PERFORMANCE @ 25°C:
INSERTION LOSS (IL): 1.1 dB MAX FROM 0.5 MHz TO 100 MHz
RETURN LOSS (RL): 18 dB MIN FROM 0.5 MHz TO 40 MHz
12-20 LOG(f/80) dB MIN FROM 40.1 MHz TO 100 MHz
CROSSTALK ATTENUATION: 35 dB MIN FROM 0.5 MHz TO 40 MHz
33-20 LOG(f/50) dB MIN FROM 40.1 MHz TO 100 MHz
COMMON MODE REJECTION RATIO (CMRR): 30 dB MIN FROM 0.5 MHz TO 100 MHz
ISOLATION VOLTAGE: COMPLIES WITH IEEE 802.3 2002, PARA 40.6.1.1, ITEM b
- 3. OPERATING TEMPERATURE 0°C TO +70°C.
- 4. LED IS DRIVEN WITH CONSTANT CURRENT APPROX 20 mA
DOMINANT WAVE LENGTH (D): GREEN 568 nm TYP, AT IF=20mA
FORWARD VOLTAGE (VF): GREEN 2.2V AT IF=20mA
DOMINANT WAVE LENGTH (D): YELLOW 588 nm TYP, AT IF=20mA
FORWARD VOLTAGE (VF): YELLOW 2.1V AT IF=20mA
DOMINANT WAVE LENGTH (D): ORANGE 605 nm TYP, AT IF=20mA
FORWARD VOLTAGE (VF): ORANGE 2.1V AT IF=20mA
- 5. RJ45 CAVITY CONFORMS TO FCC RULES AND REGULATION PART 68 SUBPART F.
- 6. TRP CONNECTOR LOGO, PART NUMBER, DATE CODE, COUNTRY OF ORIGIN
AND AGENCY LOGO TO BE MARKED IN APPROXIMATE LOCATION SHOWN.
- 7. MATING INTERFACE COMPLIES WITH USB SPECIFICATION REV 2.0.

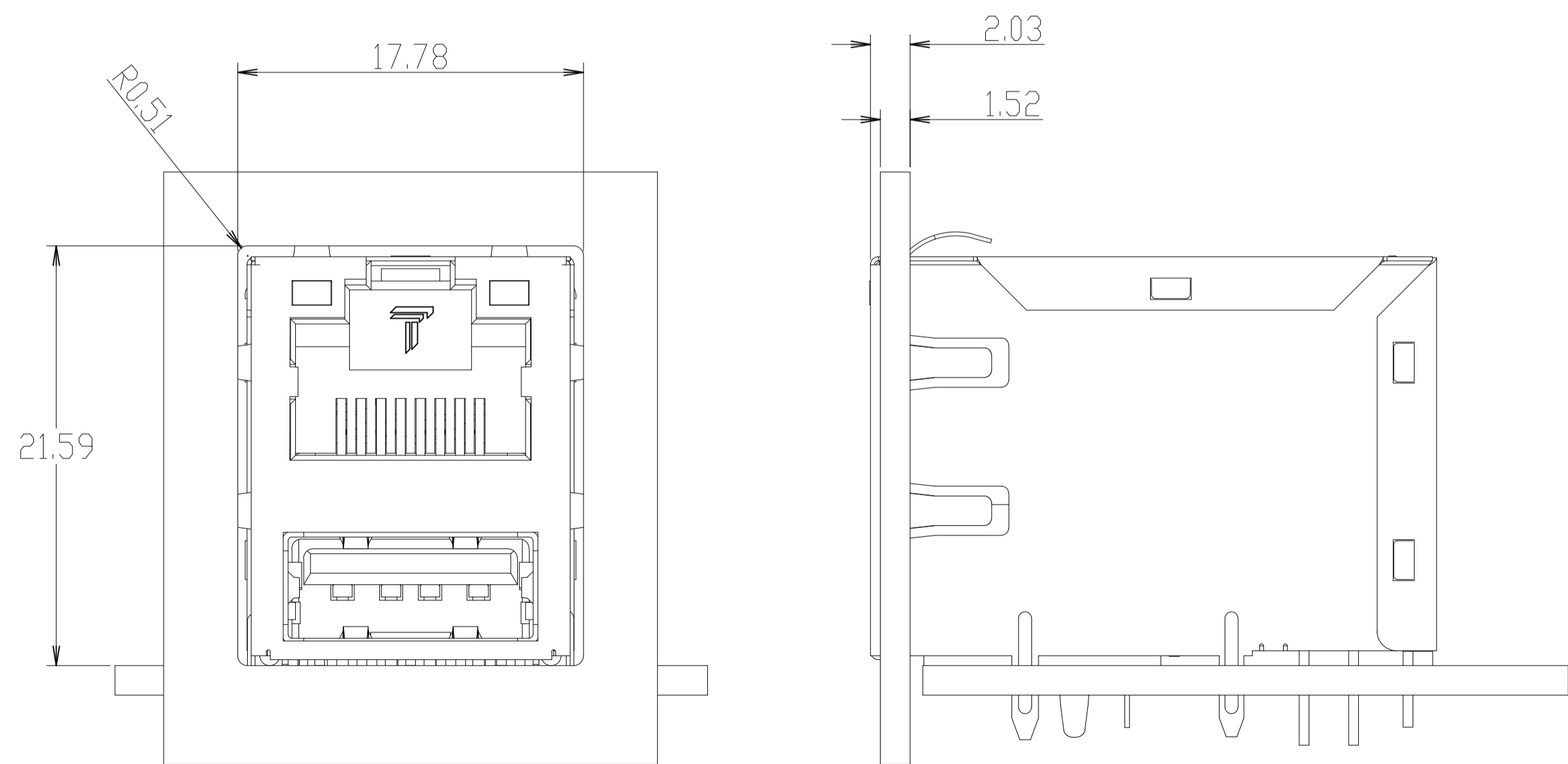
3.81	GREEN	GREEN	1-1840024-1
3.18	GREEN/ORANGE	YELLOW	1840024-2
3.18	GREEN	GREEN	1840024-1
DIM A	LED 2	LED 1	PART NUMBER

THIS DRAWING IS A CONTROLLED DOCUMENT.		DWN SKY ZHAO 03MAR2008	TRP connector Dongguan China	
DIMENSIONS: mm		CHK KEITH ZHU 03MAR2008		
TOLERANCES UNLESS OTHERWISE SPECIFIED:		APVD TEDDY XIONG 03MAR2008	NAME MAG45(TM) OVER SINGLE USB, URG18 GIGABIT CIRCUIT WITH LEDS	
0 PLC ± - 1 PLC ± - 2 PLC ± 0.25 3 PLC ± 0.25 4 PLC ± - ANGLES ±		PRODUCT SPEC 108-104005	SIZE A2	CAGE CODE 00779
MATERIAL FINISH		APPLICATION SPEC -	DRAWING NO C=1840024	RESTRICTED TO -
WEIGHT -		CUSTOMER DRAWING	SCALE 3:1	SHEET 1 OF 2
				REV D

IT IS RECOMMENDED THAT THE SHADED AREA OF CUSTOMER PCB BOARD SHOULD BE CLEAR OF ANY OF VIA HOLE, COMPONENT AND CIRCUIT TRACE

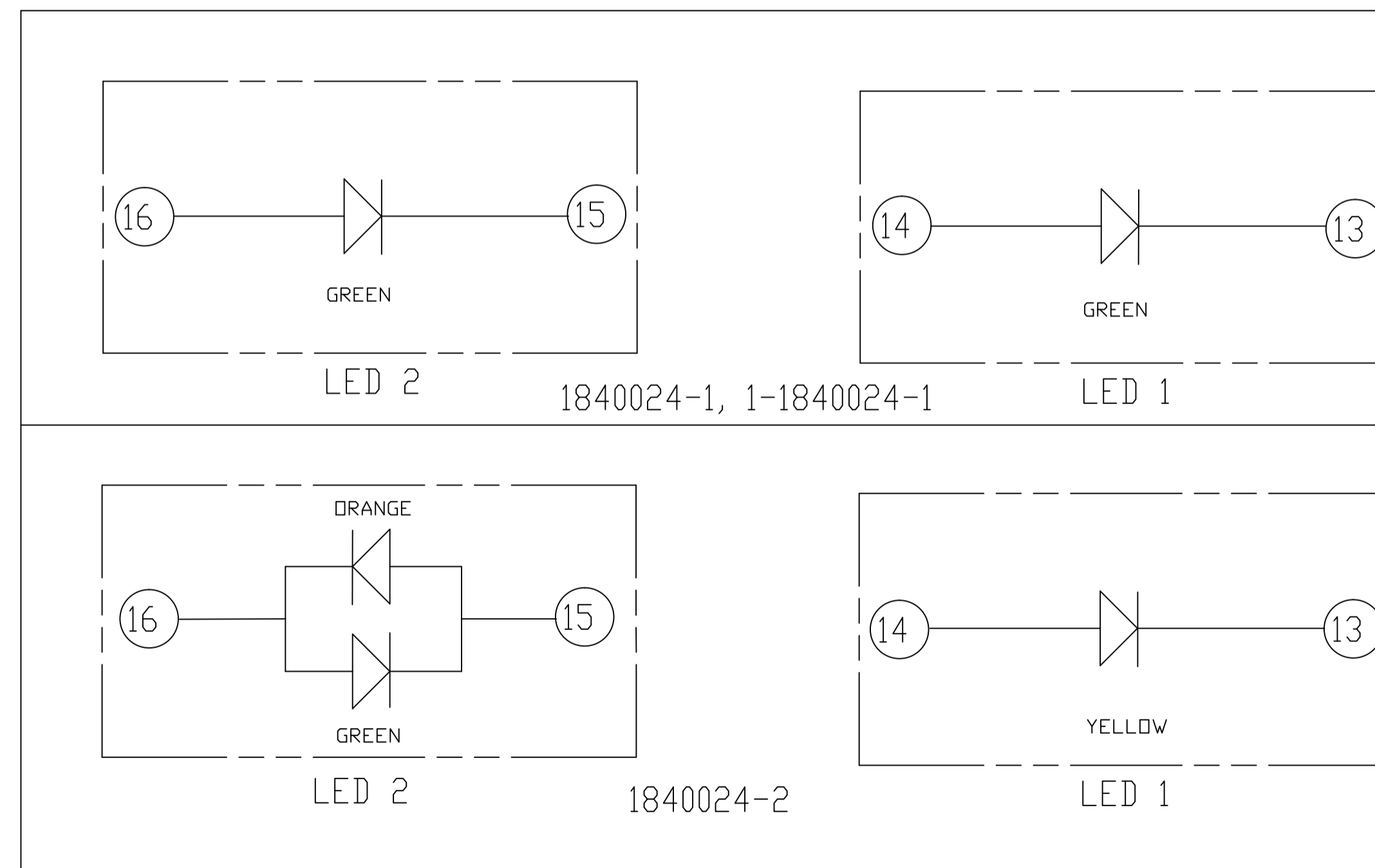
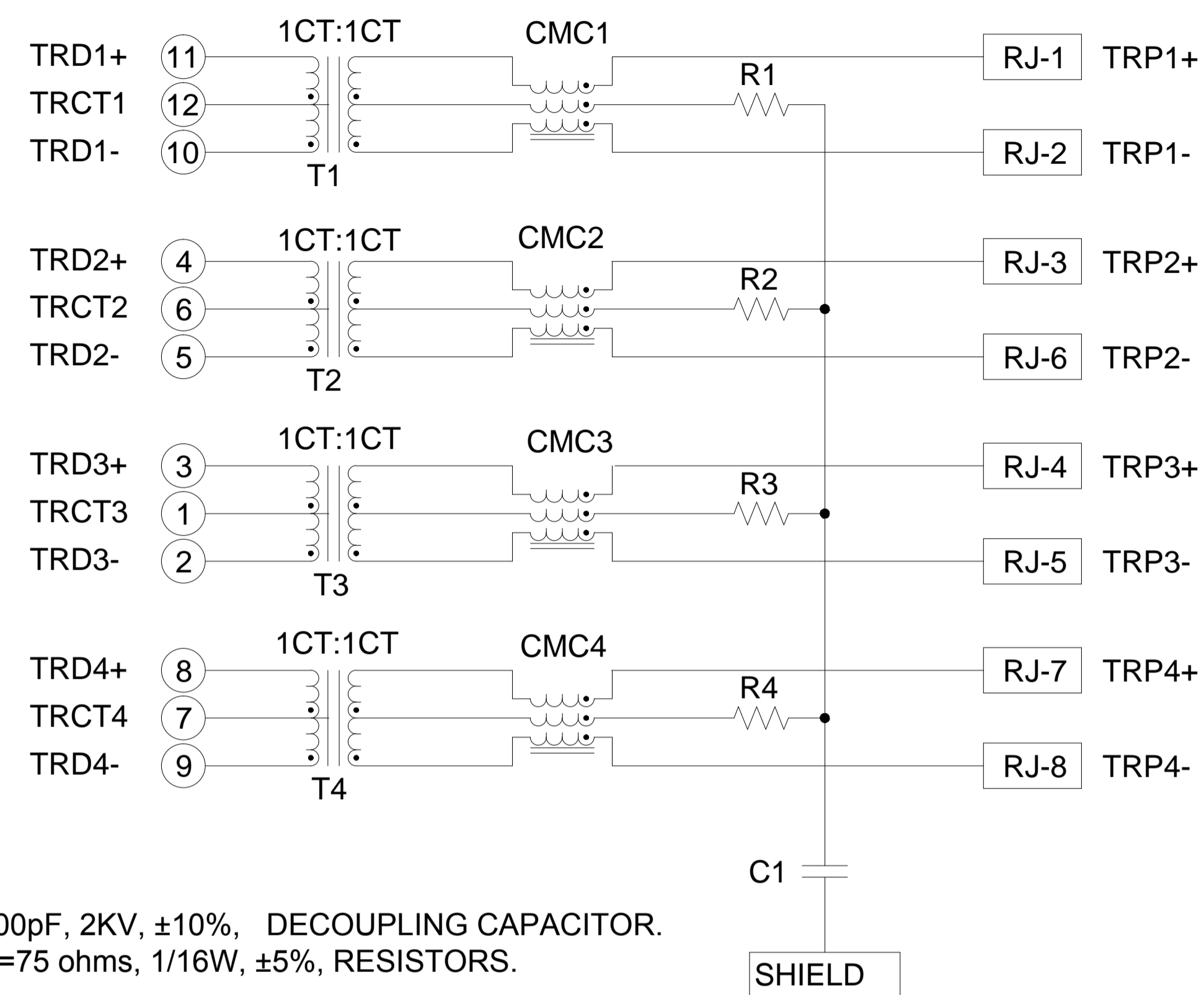


SUGGESTED PCB FOOTPRINT COMPONENT SIDE SHOWN



SUGGESTED PANEL CUT-OUT DIMENSION

URG18 GIGABIT CIRCUIT



THIS DRAWING IS A CONTROLLED DOCUMENT.		DWN SKY ZHAO 03MAR2008	 TRP connector Dongguan China	
		CHK KEITH ZHU 03MAR2008		
		APVD TEDDY XIONG 03MAR2008	NAME	
		PRODUCT SPEC	MAG45(TM) OVER SINGLE USB, URG18 GIGABIT CIRCUIT WITH LEDs	
		APPLICATION SPEC	SIZE	RESTRICTED TO
			A2	
		WEIGHT	CAGE CODE	DRAWING NO
			00779	C=1840024
		CUSTOMER DRAWING	SCALE	SHEET
			3:1	2 OF 2
				REV
				D