

REVISIONS				
P	LYR	DESCRIPTION	DATE	BY
F		LOGO CHANGE	29MAY2013	TR KZ

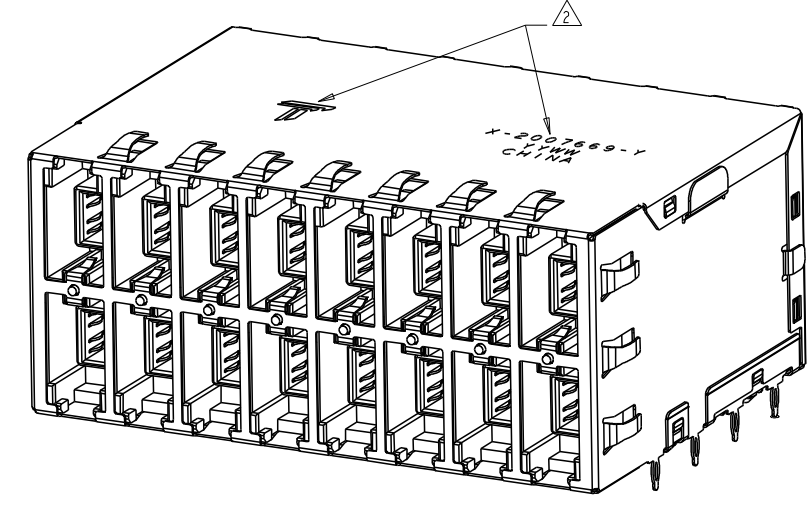
- MATERIAL:
HOUSING: BLACK, THERMOPLASTIC, RATED UL 94V-0.
SHIELD: COPPER ALLOY WITH NICKEL PLATING.
CONTACTS: PHOSPHER BRONZE.
CONTACT PLATING: 0.05µm MIN GOLD OVER
0.76µm MIN PALLADIUM-NICKEL, AT MATING
INTERFACE CONTACT AREA.
- TRP LOGO, PART NUMBER, DATE CODE AND
COUNTRY OF ORIGIN, SHOWN APPROXIMATE AREA.
- MAGNETICS:
- APPLICATION: 10/100/1000 BASE -T
- IMPEDANCE: 100 OHMS
- TRANSMIT OPEN CIRCUIT INDUCTANCE (OCL): 350µH (MIN)
@100KHZ, 0.1 VRMS WITH 8mA DC BIAS
FOR EACH TRANSFORMER OVER T=0°C-+70°C.
- TURNS RATIO (CHIP:CABLE): 1:1 ALL PAIRS
PERFORMANCE:
- ALL PAIRS ARE BI-DIRECTIONAL

- LED IS DRIVEN WITH CURRENT AT APPROX 20 mA
DOMINANT WAVELENGTH (λD): GREEN 573 nm TYP AT IF=20mA
FORWARD VOLTAGE (VF): GREEN 2.0V TYP at IF=20mA
DOMINANT WAVELENGTH (λD): RED 624 nm TYP AT IF=20mA
FORWARD VOLTAGE (VF): RED 2.0V TYP at IF=20mA
DOMINANT WAVELENGTH (λD): YELLOW 589 nm TYP AT IF=20mA
FORWARD VOLTAGE (VF): YELLOW 2.0V TYP at IF=20mA
- RECOMMENDED MIN PCB THICKNESS 1.5mm (.062").
- OPERATING TEMPERATURE: FROM 0°C TO 70°C.
- DATUM AND BASIC DIMENSION ESTABLISHED BY CUSTOMER.
- FOR HOLE SIZE AND PLATINGS, SEE SHEET 5.

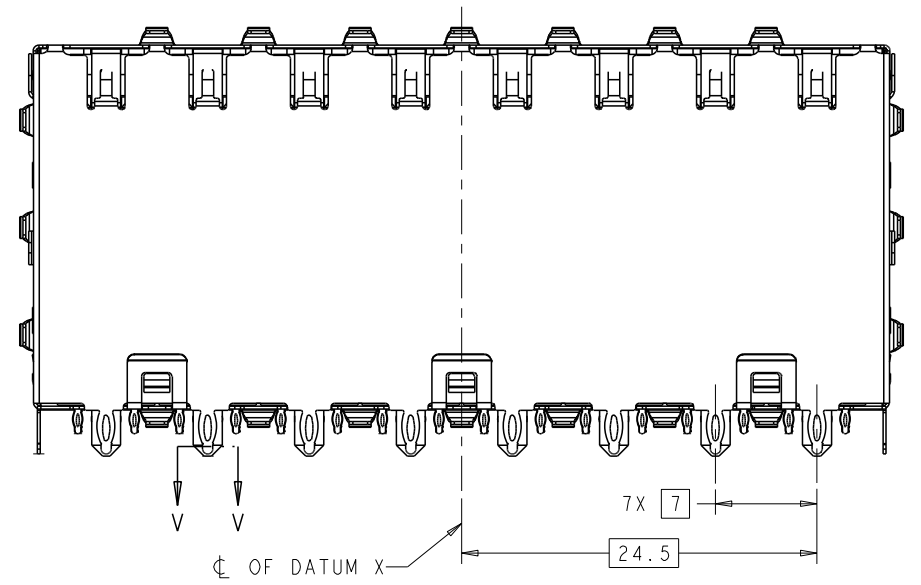
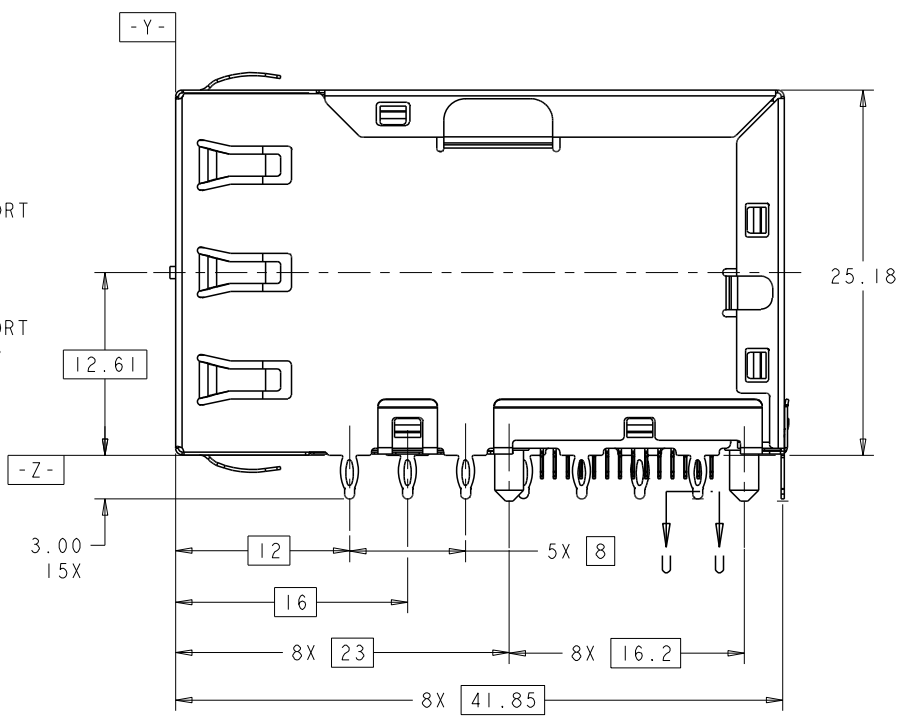
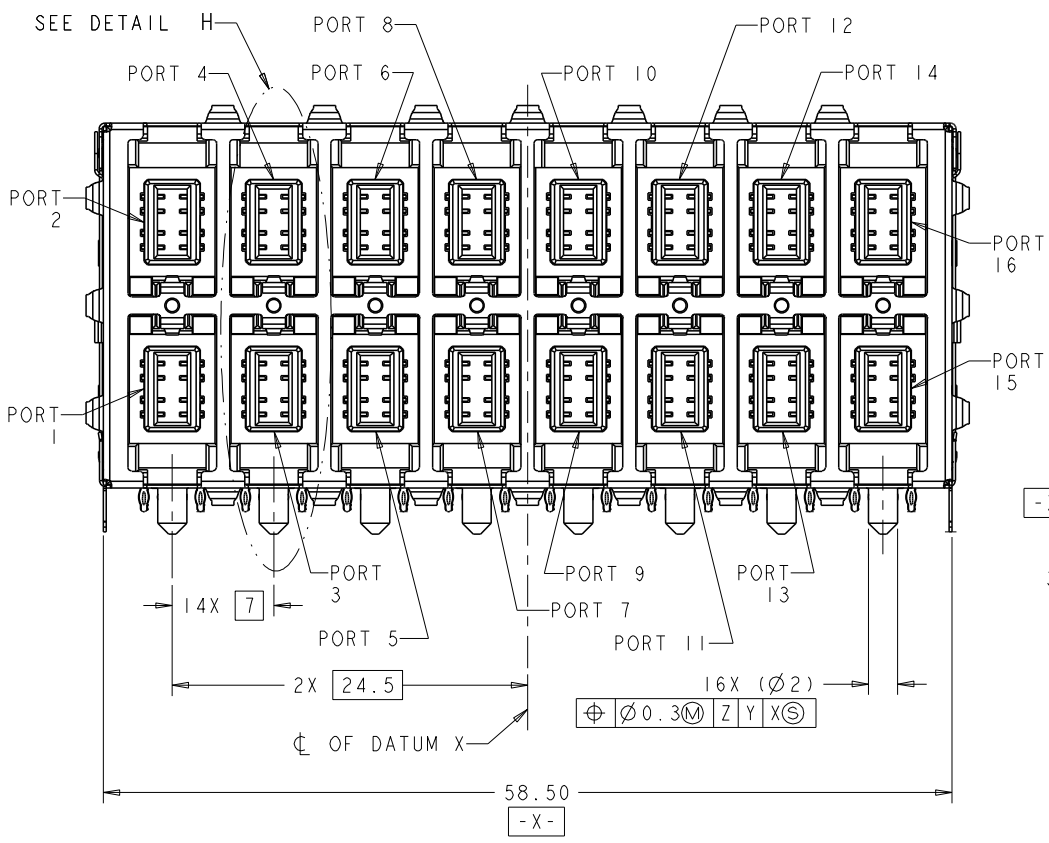
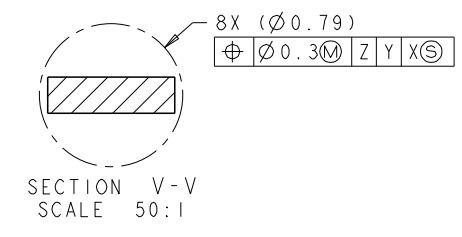
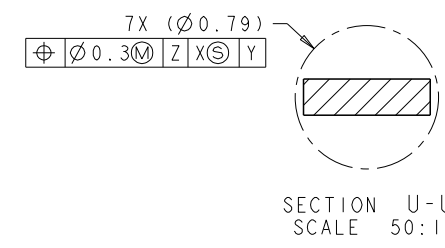
FREQUENCY	*INSERTION LOSS	RETURN LOSS	CROSSTALK ATTENUATION	COMMON MODE REJECTION RATIO
0.5MHz-1MHz	1.2dB (MAX)	18dB (MIN)	70dB (MIN)	30dB (MIN)
1MHz-40MHz	1.2dB (MAX)	18dB (MIN)	33-20X LOG (F/80)dB (MIN)	30dB (MIN)
40MHz-100MHz	1.2dB (MAX)	12-20X LOG (F/80)dB (MIN)	33-20X LOG (F/80)dB (MIN)	30dB (MIN)

ALL MAGNETIC ELECTRICAL CHARACTERISTICS RATED AT T=25°C

- ISOLATION VOLTAGE: 2250VDC(MAX) FOR 60 SECONDS WITH A RISE TIME OF 500V/SEC, WITH ALL PORTS CONNECTED.

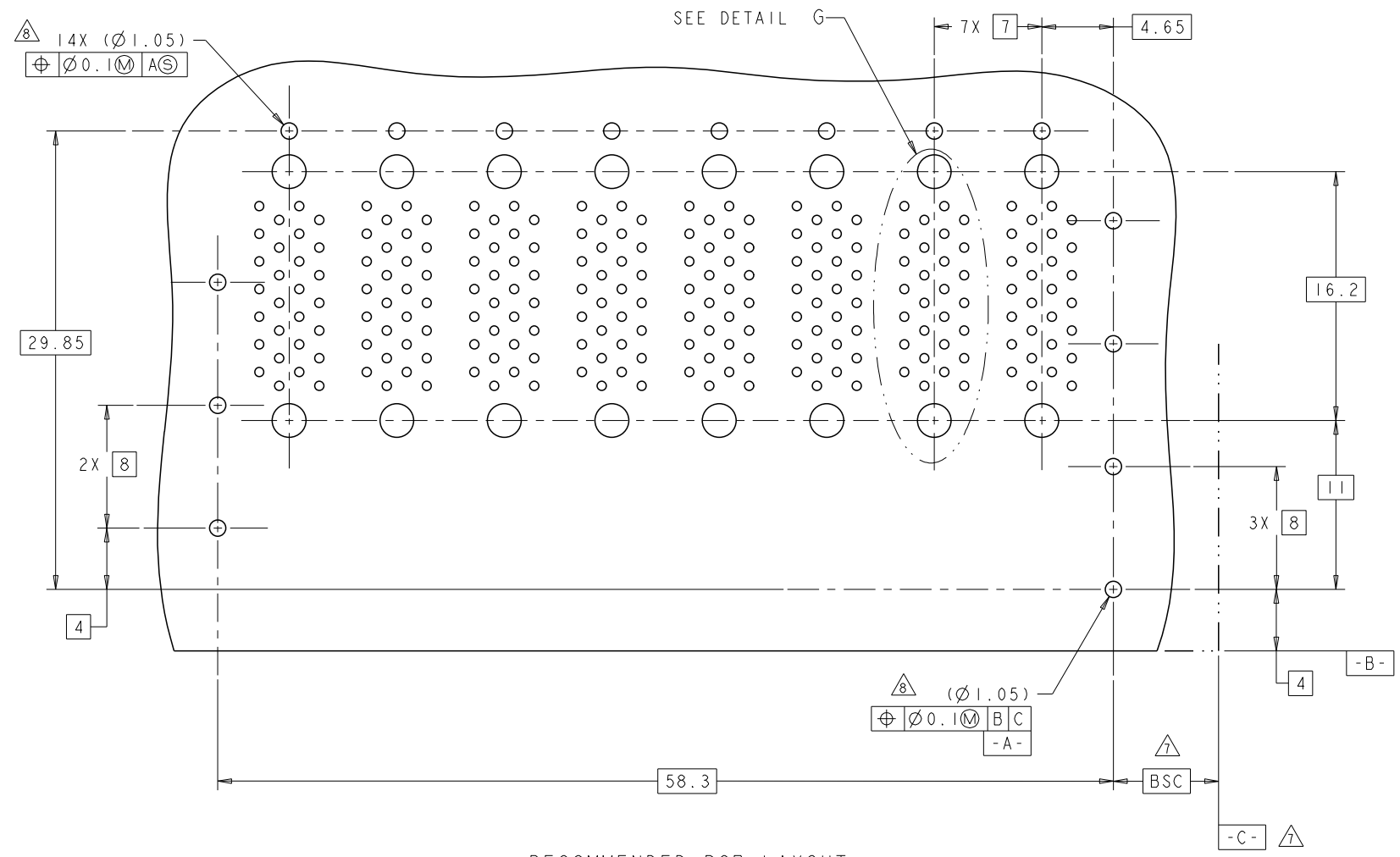


SCALE 3:1

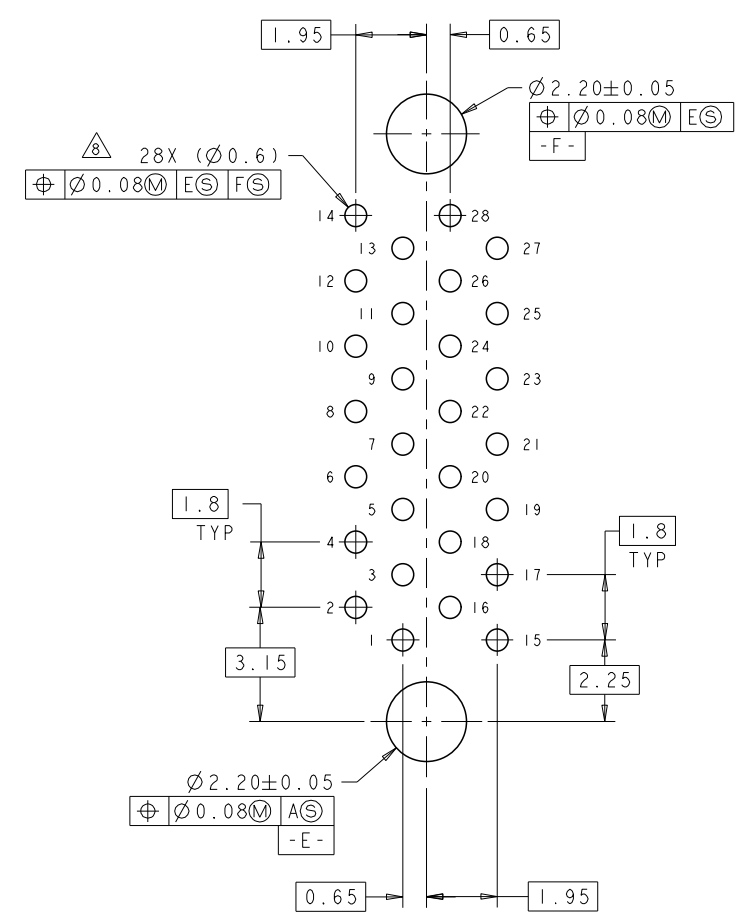


WITH	YELLOW/GREEN BI-COLORS	1-2007669-2
WITH	RED/GREEN BI-COLORS	1-2007669-1
WITHOUT	YELLOW/GREEN BI-COLORS	2007669-2
WITHOUT	RED/GREEN BI-COLORS	2007669-1
EMI TAB	LED COLORS	PART NUMBER

THIS DRAWING IS A CONTROLLED DOCUMENT.		OWN: R. TRPA 30JAN2008		TRP connector Dongguan China
DIMENSIONS: mm		CHK: R. HENRY 30JAN2008		NAME: RECEPTACLE ASSEMBLY, 2X8, RJ POINT FIVE, NON POE WITH MAGNETICS
TOLERANCES UNLESS OTHERWISE SPECIFIED:		APP'D: R. HENRY 30JAN2008	PRODUCT SPEC: 108-2341	RESTRICTED TO:
0 PLC	±		APPLICATION SPEC:	SIZE: CAGE CODE: DRAWING NO:
1 PLC	±0.25		WEIGHT:	A100779C=2007669
2 PLC	±		FINISH:	SCALE: 4:1
3 PLC	±		CUSTOMER DRAWING	SHEET 1 OF 5
4 PLC	±			REV F
ANGLES	±			



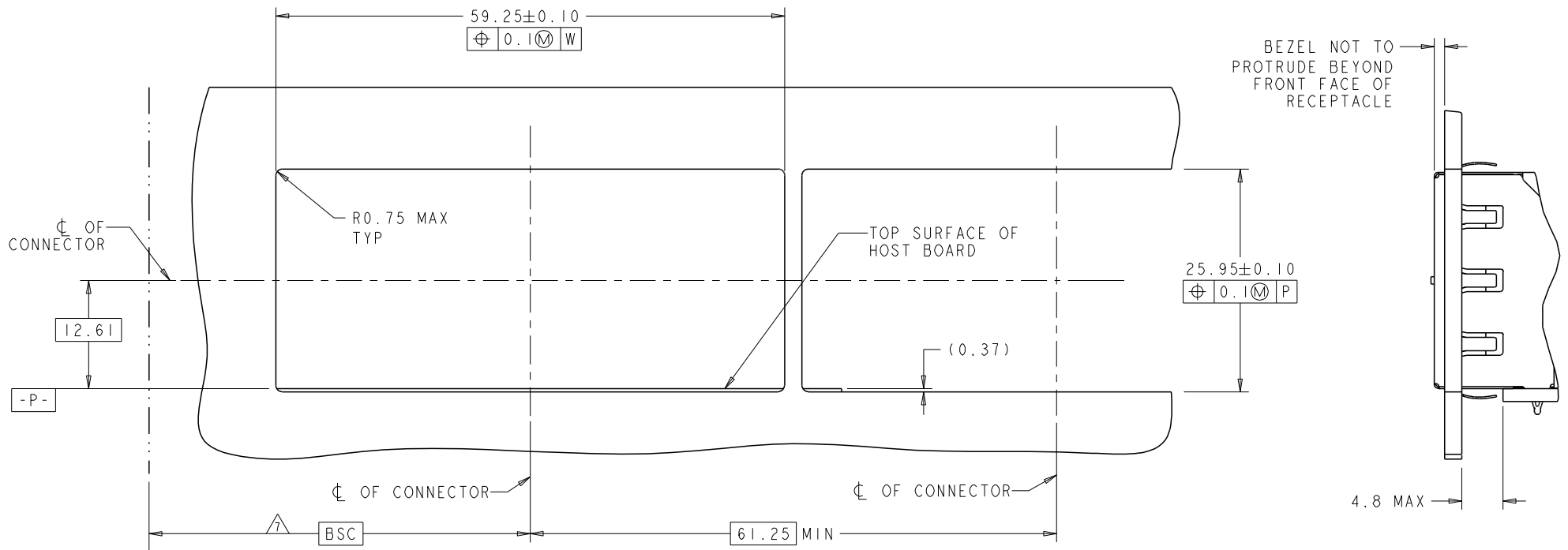
RECOMMENDED PCB LAYOUT
SCALE 5:1



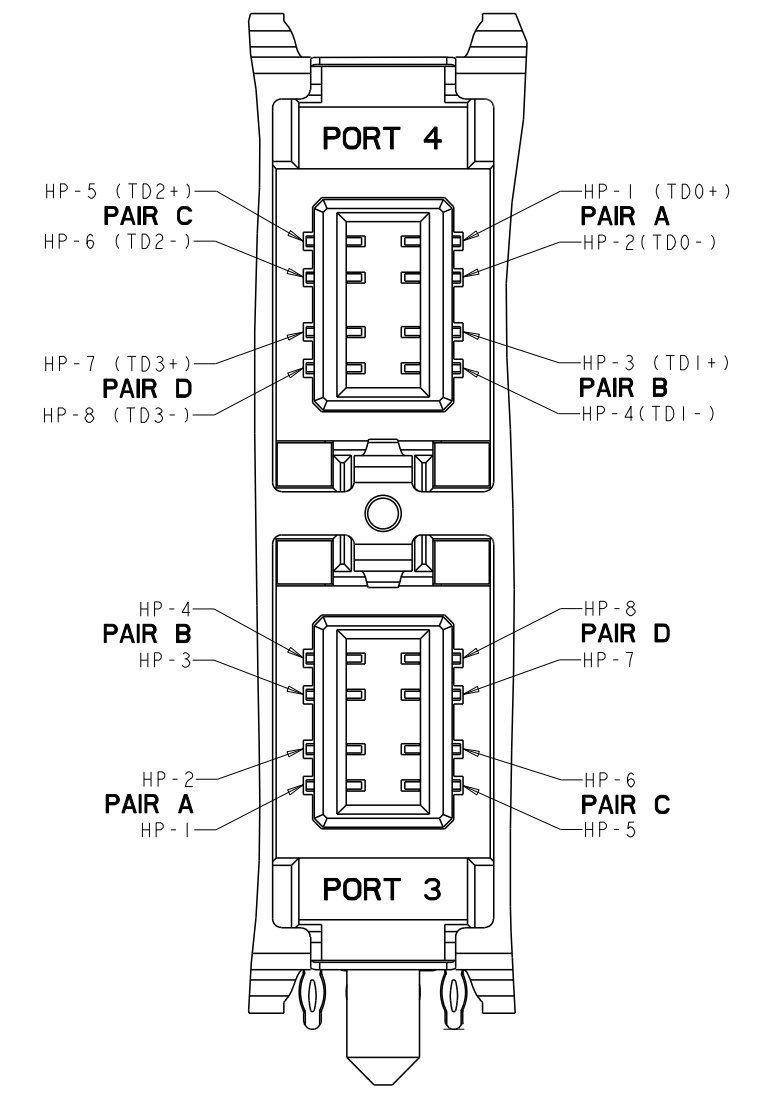
DETAIL G
BOARD PIN IDENTIFIERS
SCALE 10:1

THIS DRAWING IS A CONTROLLED DOCUMENT.		OWN: R. TRFA 30JAN2008	 TRP connector Dongguan China
DIMENSIONS: mm		CHK: R. HENRY 30JAN2008	
TOLERANCES UNLESS OTHERWISE SPECIFIED:		APP'D: R. HENRY 30JAN2008	
0 PLC ± 1 PLC ± 2 PLC ±0.25 3 PLC ± 4 PLC ± ANGLES ±°	PRODUCT SPEC 108-2341 APPLICATION SPEC	NAME: RECEPTACLE ASSEMBLY, 2X8, RJ POINT FIVE, NON POE WITH MAGNETICS SIZE: CAGE CODE DRAWING NO: A100779 ©=2007669	RESTRICTED TO:
MATERIAL:	FINISH:	WEIGHT:	SCALE: 4:1
CUSTOMER DRAWING		SHEET 2 OF 5	REV F

© COPYRIGHT TRP connector ALL RIGHTS RESERVED

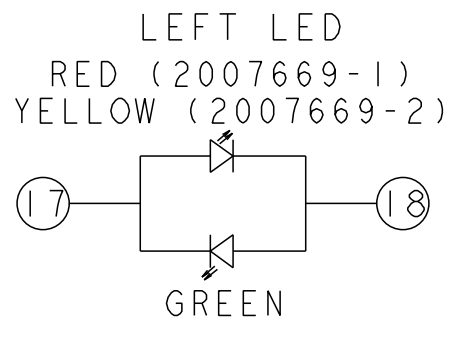
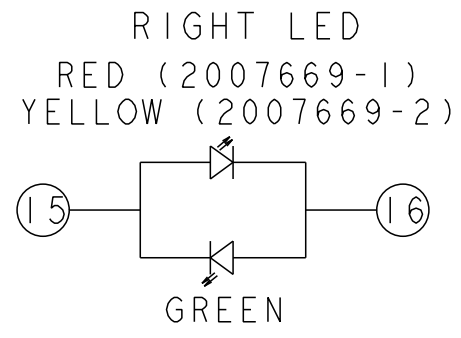
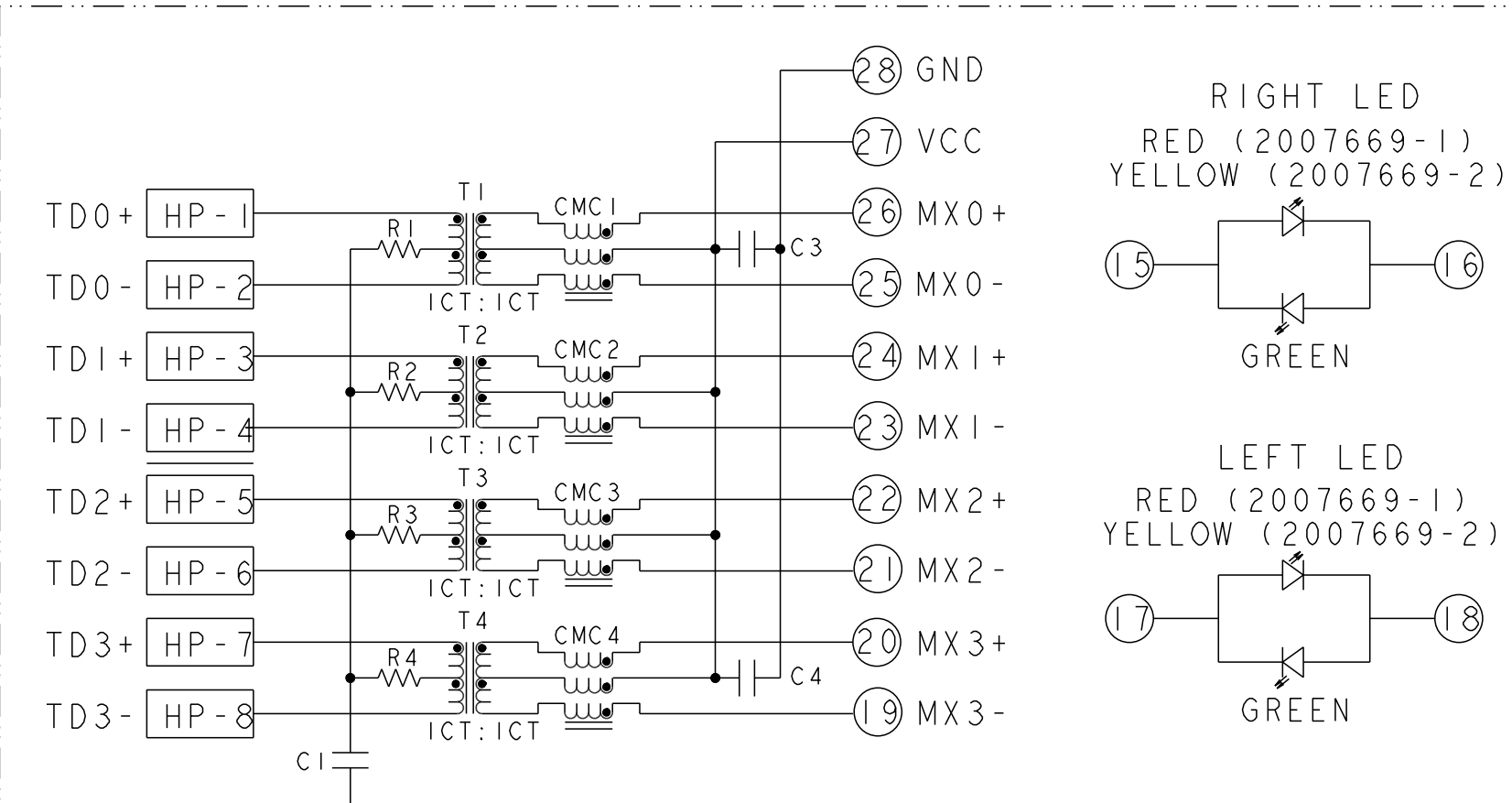


RECOMMENDED PANEL CUTOUT
SCALE 3:1



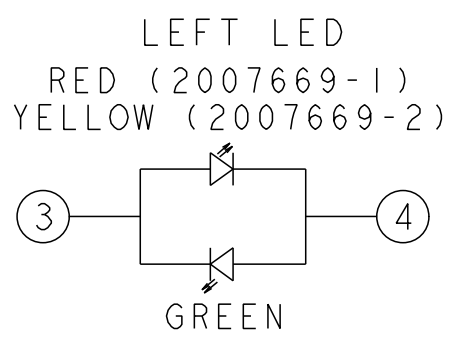
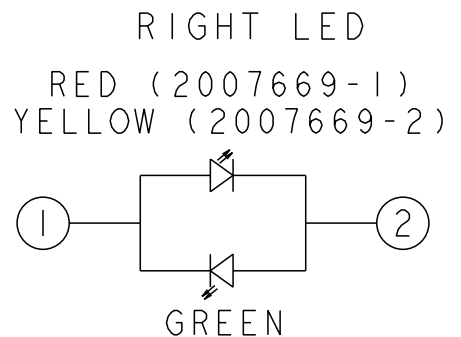
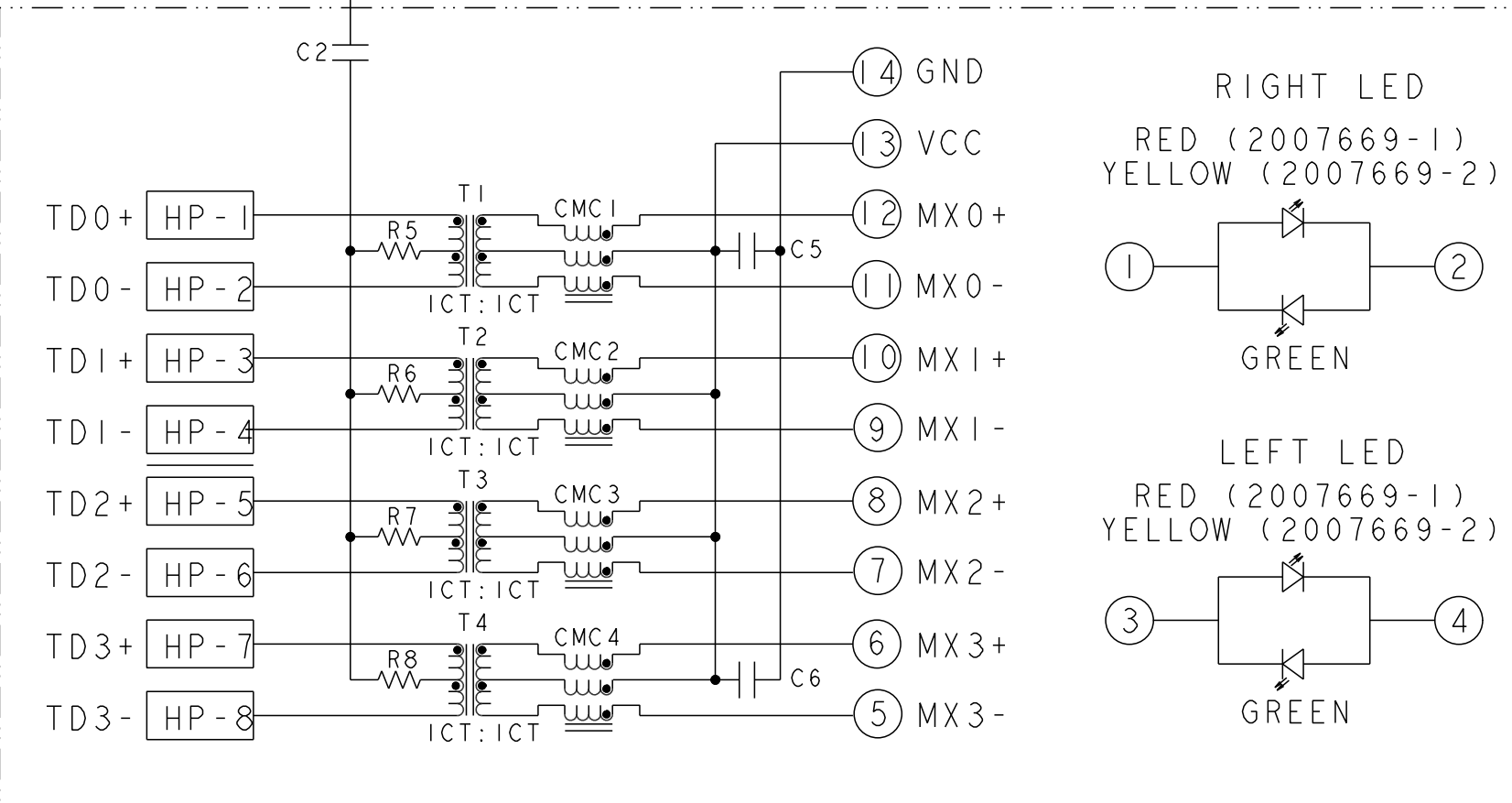
DETAIL H
SCALE 10:1

THIS DRAWING IS A CONTROLLED DOCUMENT.		DWN: R. TRFA 30JAN2008 CHK: R. HENRY 30JAN2008 APVD: R. HENRY 30JAN2008	TRP connector Dongguan China
DIMENSIONS: mm	TOLERANCES UNLESS OTHERWISE SPECIFIED: 0 PLC ± 1 PLC ±0.25 2 PLC ± 3 PLC ± 4 PLC ± ANGLES ±3° FINISH	PRODUCT SPEC: 108-2341 APPLICATION SPEC:	NAME: RECEPTACLE ASSEMBLY, 2X8, RJ POINT FIVE, NON POE WITH MAGNETICS SIZE: CAGE CODE: DRAWING NO: A100779 ©=2007669
MATERIAL:	FINISH:	WEIGHT:	RESTRICTED TO:
CUSTOMER DRAWING		SCALE: 4:1	SHEET 3 OF 5 REV F



S5G73
GIGABIT SCHEMATIC

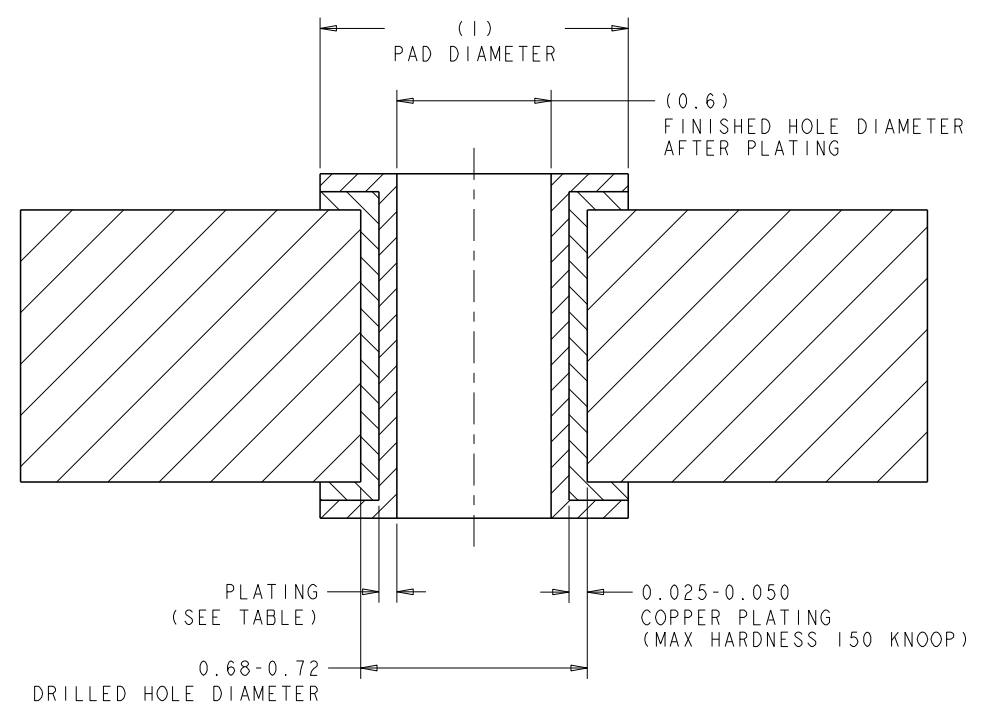
TOP PORT



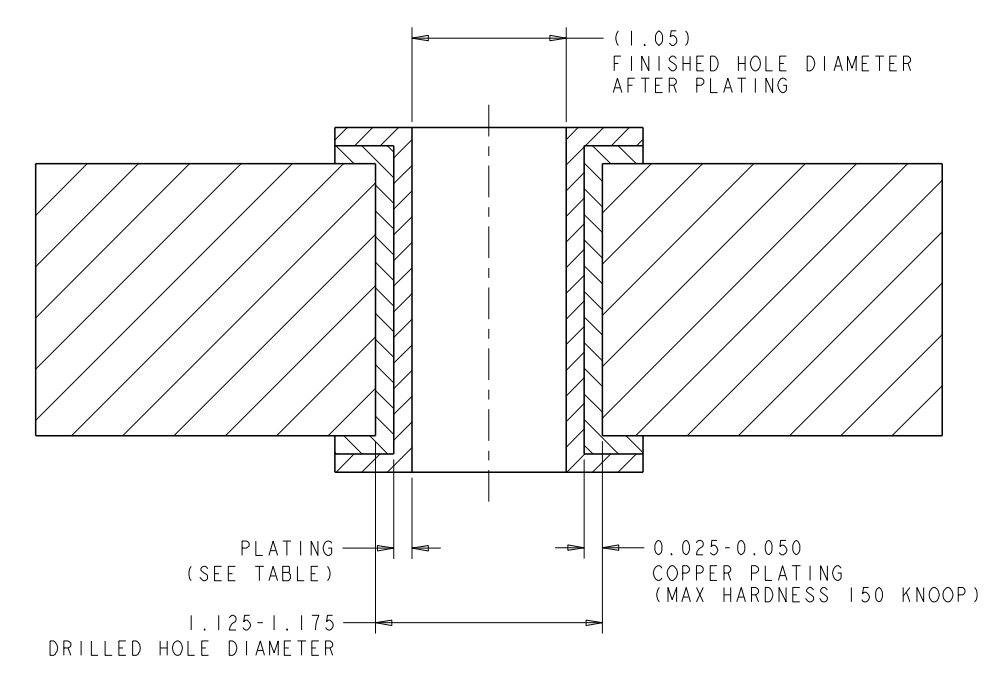
BOTTOM
PORT

C1-C2 = 1000 pF, 2kV DE-COUPLING CAPACITORS
C3-C6 = 0.01uF, 50V, CAPACITORS
R1-R8 = 75 Ohm, 1/16W, RESISTORS

THIS DRAWING IS A CONTROLLED DOCUMENT.		DRW: R.TREA 30JAN2008	 TRP connector Dongguan China
		CHK: R.HENRY 30JAN2008	
DIMENSIONS:	TOLERANCES UNLESS OTHERWISE SPECIFIED:	APPD: R.HENRY 30JAN2008	PRODUCT SPEC
mm	0 PLC ±		NAME: RECEPTACLE ASSEMBLY, 2X8, RJ
	1 PLC ±		APPLICATION SPEC
	2 PLC ±0.25		108-2341
	3 PLC ±		RESTRICTED TO
	4 PLC ±		SIZE: CAGE CODE: DRAWING NO:
	ANGLES ±		A1 00779 ©=2007669
MATERIAL:	FINISH:	WEIGHT:	SCALE: 4:1 SHEET 4 OF 5 REV F
		CUSTOMER DRAWING	



RECOMMENDED HOLE DIMENSIONS FOR SIGNAL CONTACTS



RECOMMENDED HOLE DIMENSIONS FOR SHIELD PINS

THICKNESS	PLATING
0.004-0.010	HOT AIR SOLDER LEVELING (HASL) TIN-LEAD (Sn Pb)
0.0005-0.001	IMMERSION TIN (Sn)
0.0002-0.0005	ORGANIC SOLDERABILITY PRESERVATIVE (OSP)
0.0001-0.0005 Au, 0.004-0.0076 Ni	IMMERSION GOLD (Au) OVER NICKEL (Ni) (ENIG)
0.010-0.025	TIN LEAD PLATING (Sn Pb)
0.0001-0.00015	IMMERSION SILVER (Ag)

THIS DRAWING IS A CONTROLLED DOCUMENT.

DRW: R.TREA	30JAN2008	TRP connector Dongguan China
CHK: R.HENRY	30JAN2008	
APPD: R.HENRY	30JAN2008	NAME: RECEPTACLE ASSEMBLY, 2X8, RJ POINT FIVE, NON POE WITH MAGNETICS PRODUCT SPEC: 108-2341 APPLICATION SPEC:
DIMENSIONS: mm 0 PLC ± 1 PLC ± 2 PLC ±0.25 3 PLC ± 4 PLC ± ANGLES ±3° FINISH:	TOLERANCES UNLESS OTHERWISE SPECIFIED: ± ±0.25 ± ± ±3° :	SIZE: A1 CAGE CODE: 00779 DRAWING NO: 2007669 WEIGHT: - SCALE: 4:1 SHEET: 5 OF 5 REV: F

CUSTOMER DRAWING