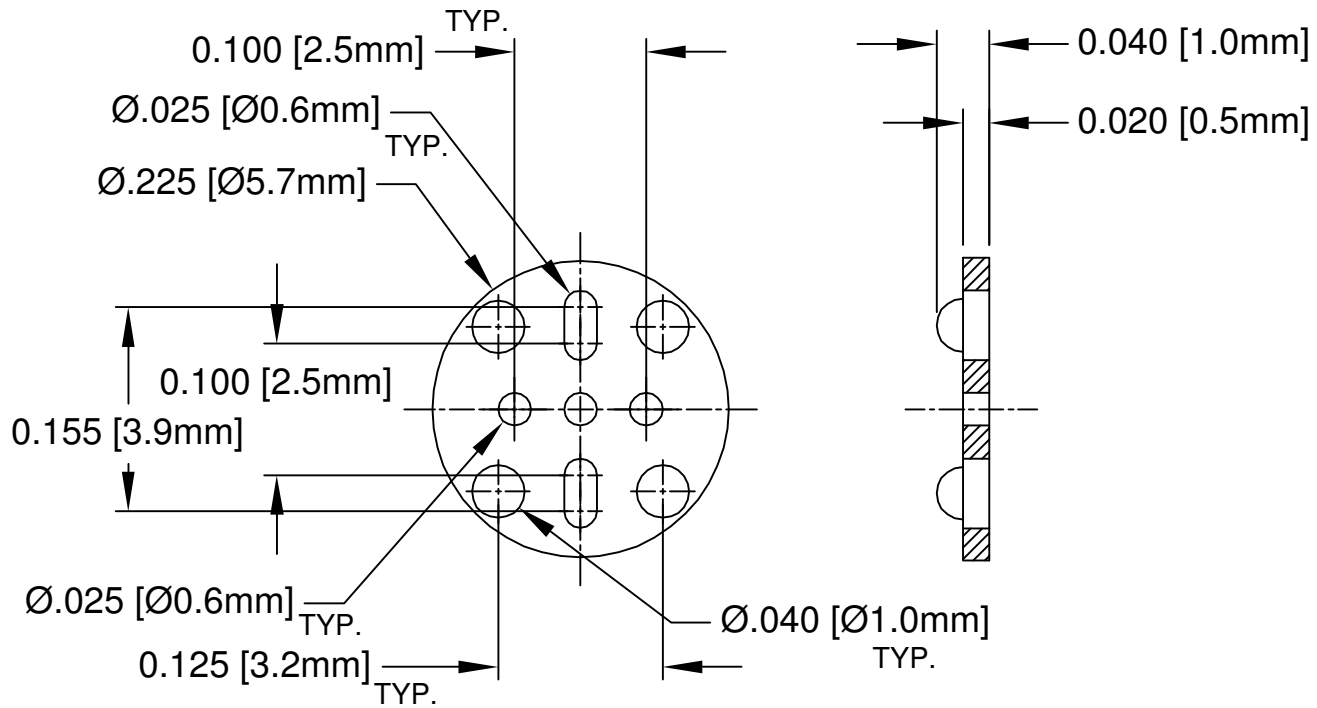



REV.	DESCRIPTION	DATE	APPROVED
<b>C</b>	Engineering Update w/o Changes	<b>02/16/04</b>	<b>M. C.</b>



- 2. MATERIAL: NYLON 6/6, 94V-2, WHITE. BIVAR MATERIAL CODE 04-WE.  
BASF ULTRAMID NYLON 6/6 A3K WHITE.
- 1. GENERAL SPECIFICATIONS: BIVAR MOLDED COMPONENT SPECIFICATION BV00-E101.

STANDARD TOLERANCE ( UNLESS OTHERWISE SPECIFIED ) DECIMALS                      ANGULAR .X                      ± .1                      X°                      ± 1° .XX                      ± .01 .XXX                      ± .005		 4 THOMAS, IRVINE, CA. 92618 TEL: (949) 951-8808    FAX: (949) 951-3974	
DESIGNED: <b>Shane Irving</b>		TITLE: <b>PERM-O-PAD TO-18 MOUNT</b>	
CHECKED: <b>M. Chen</b>		PART NO: <b>112-040</b>	
DATE: <b>06/01/98</b>		REVISION: <b>C</b>	
DATE: <b>06/25/02</b>		CAGE CODE : <b>32559</b> SHEET # <b>1</b> OF <b>1</b>	
<small>CAD GENERATED DOCUMENT, DO NOT MEASURE DRAWING.</small>			