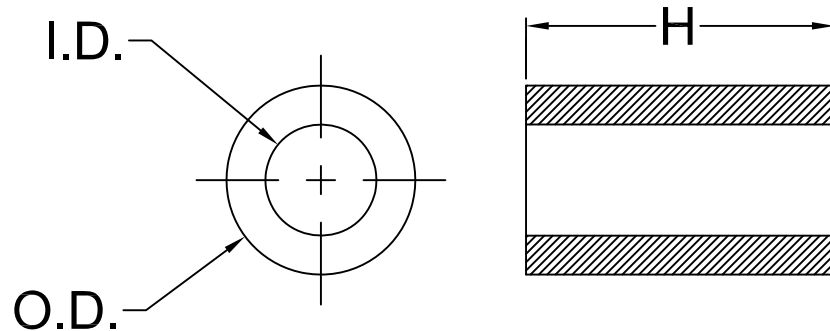


| REV. | DESCRIPTION                    | DATE     | APPROVED |
|------|--------------------------------|----------|----------|
| A    | Engineering Update w/o Changes | 02/24/04 | M. C.    |
| B    | Typo Correction                | 10/28/08 | T. Y.    |
|      |                                |          |          |
|      |                                |          |          |



| SERIES | SCREW SIZE | I.D.        | O.D.        | - XXX | H              |
|--------|------------|-------------|-------------|-------|----------------|
| 9913   | #2         | .091(2.3mm) | .187(4.7mm) | -062  | 1/16 (1.6mm)   |
|        |            |             |             | -125  | 1/8 (3.2mm)    |
| 9910   | #2         | .091(2.3mm) | .250(6.4mm) | -187  | 3/16 (4.8mm)   |
|        |            |             |             | -250  | 1/4 (6.4mm)    |
|        |            |             |             | -312  | 5/16 (7.9mm)   |
| 9908   | #4         | .125(3.2mm) | .187(4.7mm) | -375  | 3/8 (9.5mm)    |
|        |            |             |             | -437  | 7/16 (11.1mm)  |
|        |            |             |             | -500  | 1/2 (12.7mm)   |
| 9911   | #4         | .125(3.2mm) | .250(6.4mm) | -562  | 9/16 (14.3mm)  |
|        |            |             |             | -625  | 5/8 (15.9mm)   |
| 9905   | #6         | .147(3.7mm) | .250(6.4mm) | -750  | 3/4 (19.1mm)   |
|        |            |             |             | -812  | 13/16 (20.6mm) |
|        |            |             |             | -875  | 7/8 (22.2mm)   |
| 9912   | #8         | .171(4.3mm) | .250(6.4mm) | -937  | 15/16 (23.8mm) |
|        |            |             |             | -1000 | 1.0 (25.4mm)   |

3. TOLERANCE "H" DIMENSION:


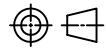
$H \leq 0.500$  (12.7mm)  $\pm 0.005$  (0.1mm)

$H > 0.500$  (12.7mm)  $\pm 0.010$  (0.3mm)

2. MATERIAL: NYLON 6, ULTRAMID 8270 HS, NATURAL. BIVAR MATERIAL CODE 01-NL-WE.

ALLIED CHEMICAL POLYAMID NYLON 6 WITH CLARIANT CNY02655 WHITE NYLON CONCENTRATE..

1. GENERAL SPECIFICATIONS: BIVAR EXTRUDED PRODUCT SPECIFICATION BV00-E103.

|  |                  |  |                          |                             |                          |
|--|------------------|--|--------------------------|-----------------------------|--------------------------|
| STANDARD TOLERANCE<br>( UNLESS OTHERWISE SPECIFIED ) |                  | <br><b>BIVAR</b> <sup>®</sup><br>4 THOMAS, IRVINE, CA. 92618<br>TEL: (949) 951-8808 FAX: (949) 951-3974 |                          |                             |                          |
| DECIMALS   | ANGULAR          |  |                          |                             |                          |
| .X $\pm .1$  | X° $\pm 1^\circ$ |  <b>TITLE:</b><br>NYLON TUBE SPACERS  |                          |                             |                          |
| .XX $\pm .01$  |                  |  |                          |                             |                          |
| .XXX $\pm .005$                                      |                  | DESIGNED:<br><b>Ty Yin</b>   | DATE:<br><b>02/24/04</b> | <b>PART NO:</b><br>99XX-XXX | REVISION:<br><b>B</b>    |
|  |                  | CHECKED:<br><b>D. Green</b>  | DATE:<br><b>02/24/04</b> |                             | <b>CAGE CODE :</b> 32559 |
| CAD GENERATED DOCUMENT, DO NOT MEASURE DRAWING.      |                  |  |                          |                             |                          |