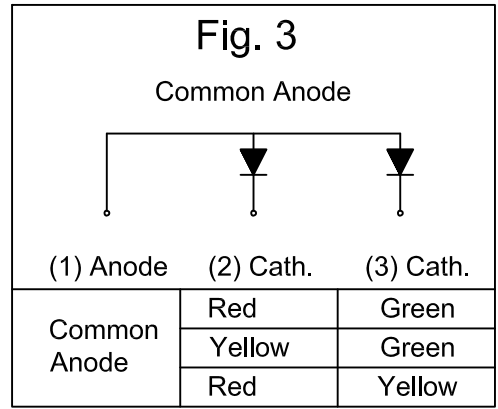
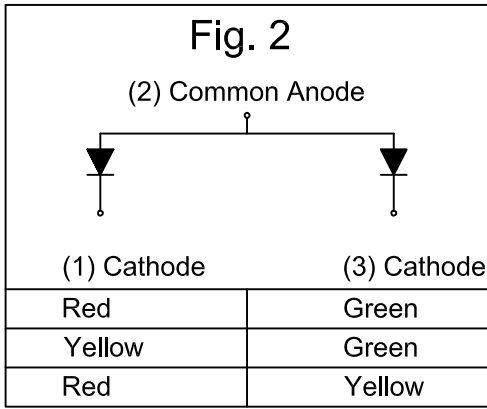
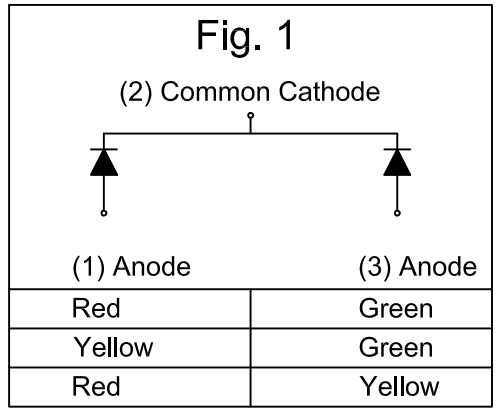
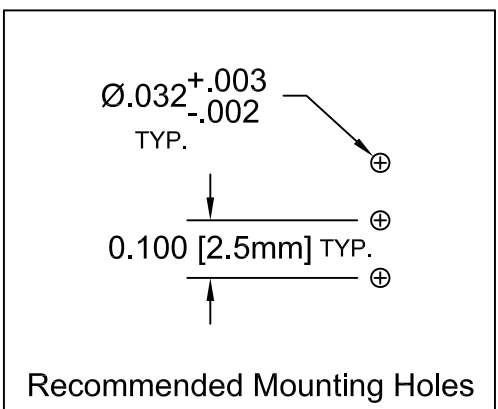
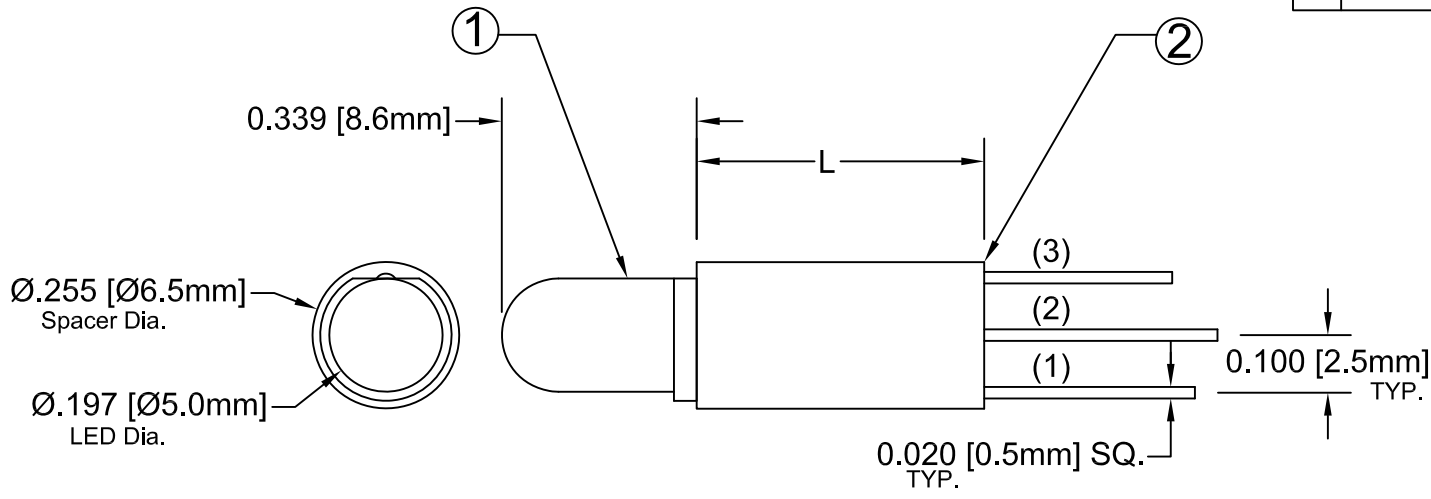


ITEM	Q'TY	PART NUMBER	PART DESCRIPTION
1	1	5BC-3-XXXX-F	T-1¼ (5mm) Bi-Color/Tri-Color LED, See Page 2
2	1	ELM3XXX	Extruded, Self-Retaining LED Spacer

REV.	DESCRIPTION	DATE	APPROVED
A	Engineering Update w/o Changes	03/05/04	M. C.
B	Corrected Extruded to ELM3	11/28/05	M. C.
C	Removed Tolerance Note.	09/03/08	M. C.




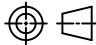
ABSOLUTE MAXIMUM RATINGS (Ta=25°C)

REVERSE VOLTAGE _____	5V
REVERSE CURRENT _____	100uA
OPERATING TEMPERATURE RANGE _____	-25° C - 85° C
STORAGE TEMPERATURE _____	-30° C - 100° C
LEAD SOLDERING TEMPERATURE(1/16" FROM BODY) _____	260° C FOR 5 SECONDS

STANDARD TOLERANCE (UNLESS OTHERWISE SPECIFIED)		BIVAR [®] 4 THOMAS, IRVINE, CA. 92618 TEL: (949) 951-8808 FAX: (949) 951-3974
DECIMALS	ANGULAR	
.X ± .1	X° ± 1°	
.XX ± .02		
.XXX ± .010		
DESIGNED: Ty Yin	DATE: 03/05/04	TITLE: EXTRUDED VERTICAL T-1¼ (5mm) LED STANDARD SPACER PROFILE ASSY PART NO: ELM3XXX5BCXX REVISION: C
CHECKED: D. Green	DATE: 03/05/04	
		CAGE CODE : 32559 SHEET # 1 OF 2
CAD GENERATED DOCUMENT, DO NOT MEASURE DRAWING.		

REV.	DESCRIPTION	DATE	APPROVED
	SEE SHEET#1.		

LED Assy. No.	Peak Wave Length λ_p (nm)	Emitted Color	Lens Appearance	Abs. Max. Ratin If (mA)	Electro-Optical Data @ 20m A			Viewing Angle $2\theta \frac{1}{2}$ (Deg)	LED P/N
					Vf (V)		Iv (m cd)		
					TYP	MAX	TYP		
ELM3XXX5BC-3 (Fig. 1)	635	HE RED	WHITE DIFFUSED	30	2.0	2.6	35.0	40	5BC-3-F
	568	GREEN		30	2.2	2.6	35.0		
ELM3XXX5BC-3-YG (Fig. 1)	585	YELLOW	WHITE DIFFUSED	30	2.1	2.6	30.0	40	5BC-3-Y/G-F
	568	GREEN		30	2.2	2.6	35.0		
ELM3XXX5BC3CA (Fig. 2)	635	HE RED	WHITE DIFFUSED	30	2.0	2.6	35.0	40	5BC-3-CA-F
	568	GREEN		30	2.2	2.6	35.0		
ELM3XXX5BC3YGCA (Fig. 2)	585	YELLOW	WHITE DIFFUSED	30	2.1	2.6	30.0	40	5BC-3-Y/G-CA-F
	568	GREEN		30	2.2	2.6	35.0		
ELM3XXX5BC3-B (Fig. 3)	585	YELLOW	WHITE DIFFUSED	30	2.0	2.6	35.0	40	5BC-3-CA-B-F
	635	HE RED		30	2.2	2.6	35.0		
ELM3XXX5BC3YGB (Fig. 3)	585	YELLOW	WHITE DIFFUSED	30	2.1	2.6	30.0	40	5BC-3-Y/G-CA-B-F
	568	GREEN		30	2.2	2.6	35.0		

STANDARD TOLERANCE (UNLESS OTHERWISE SPECIFIED) $\pm 10\%$ ALL VALUES		 BIVAR [®] 4 THOMAS, IRVINE, CA, 92618 TEL: (949) 951-8808 FAX: (949) 951-3974	
ANGULAR $X^\circ \pm 5^\circ$			
DESIGNED: Ty Yin	DATE: 03/05/04	TITLE: EXTRUDED VERTICAL T-1¼ (5mm) LED STANDARD SPACER PROFILE ASSY	
CHECKED: D. Green	DATE: 03/05/04	PART NO: ELM3XXX5BCXX	REVISION: C
		CAGE CODE : 32559	SHEET # 2 OF 2
CAD GENERATED DOCUMENT, DO NOT MEASURE DRAWING.			