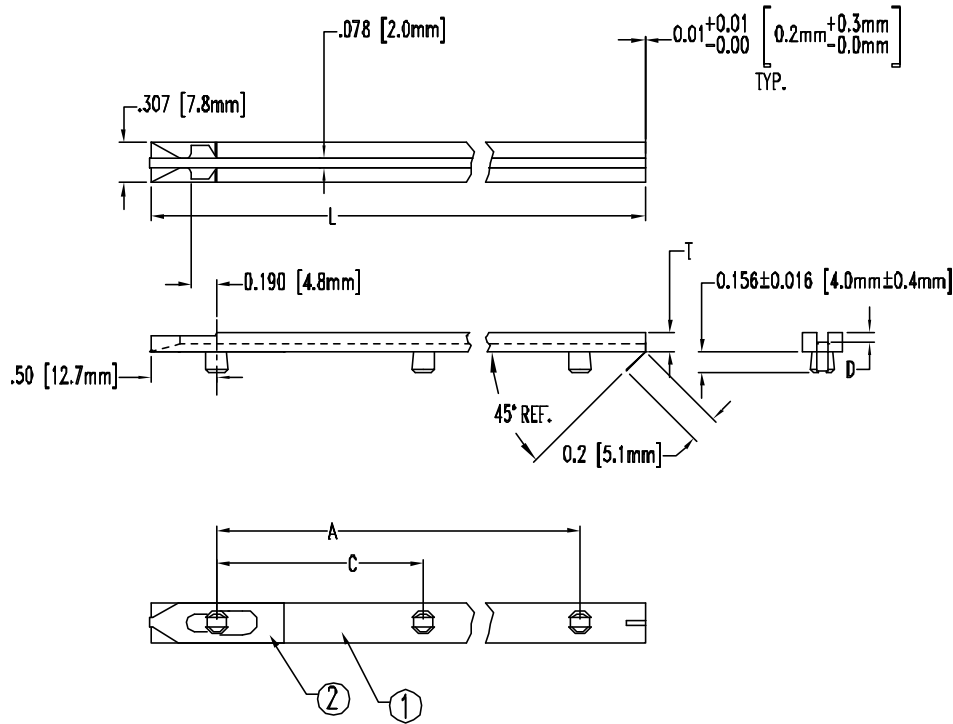
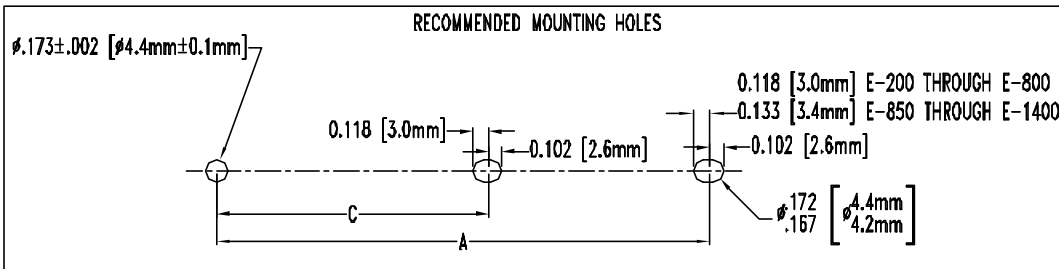


| ITEM | Q'TY | PART NUMBER    | PART DESCRIPTION                |
|------|------|----------------|---------------------------------|
| 1    | 1    | E-XXX-X        | ECON-O-GIDE PRESS-IN CARD GUIDE |
| 2    | 1    | CS-600-F XX.XX | CONDUCTIVE INSERT               |

| REV | DESCRIPTION                   | DATE     | APPROVED |
|-----|-------------------------------|----------|----------|
| A   | ENGINEERING RELEASE.          | 04/04/03 | MC       |
| B   | TYPO CORRECTION.              | 04/15/03 | MC       |
| C   | ECON#388, ENGINEERING UPDATE. | 05/01/03 | MC       |



| PART NO.  | CONDUCTIVE INSERT | L<br>±.062 (1.6) | A<br>+.016 (.41)<br>-.032 (.81) |                                 | D<br>±.005 (.1) | T<br>±.005 (.1) | DESC<br>DWG. NO. |
|-----------|-------------------|------------------|---------------------------------|---------------------------------|-----------------|-----------------|------------------|
| E-200-CI  | CS-600-F 10.75    | 2.0 (50.8)       | 1.016 (25.8)                    |                                 | .072 (1.8)      | .125 (3.2)      | -                |
| E-250-CI  | CS-600-F 10.75    | 2.5 (63.5)       |                                 |                                 | .072 (1.8)      | .125 (3.2)      | B4006-01         |
| E-300-CI  | CS-600-F 10.75    | 3.0 (76.2)       | 1.516 (38.5)                    |                                 | .072 (1.8)      | .125 (3.2)      | B4006-02         |
| E-350-CI  | CS-600-F 10.75    | 3.5 (88.9)       |                                 |                                 | .072 (1.8)      | .125 (3.2)      | B4006-03         |
| E-400-CI  | CS-600-F 10.75    | 4.0 (101.6)      |                                 |                                 | .072 (1.8)      | .125 (3.2)      | B4006-04         |
| E-450-CI  | CS-600-F 10.75    | 4.5 (114.3)      | 3.016 (76.6)                    |                                 | .072 (1.8)      | .125 (3.2)      | B4006-05         |
| E-500-CI  | CS-600-F 10.75    | 5.0 (127.0)      |                                 |                                 | .072 (1.8)      | .125 (3.2)      | B4006-06         |
| E-550-CI  | CS-600-F 10.75    | 5.5 (139.7)      |                                 |                                 | .072 (1.8)      | .125 (3.2)      | B4006-07         |
| E-600-CI  | CS-600-F 10.75    | 6.0 (152.4)      | 5.016 (127.4)                   |                                 | .072 (1.8)      | .125 (3.2)      | B4006-08         |
| E-650-CI  | CS-600-F 10.75    | 6.5 (165.1)      |                                 |                                 | .072 (1.8)      | .125 (3.2)      | B4006-09         |
| E-700-CI  | CS-600-F 10.75    | 7.0 (177.8)      |                                 |                                 | .072 (1.8)      | .125 (3.2)      | B4006-10         |
| E-750-CI  | CS-600-F 10.75    | 7.5 (190.5)      | 6.031 (153.2)                   |                                 | .072 (1.8)      | .125 (3.2)      | B4006-11         |
| E-800-CI  | CS-600-F 10.75    | 8.0 (203.2)      |                                 |                                 | .072 (1.8)      | .125 (3.2)      | B4006-12         |
| PART NO.  | CONDUCTIVE INSERT | L<br>±.062 (1.6) | A<br>+.016 (.41)<br>-.047 (1.2) | C<br>+.016 (.41)<br>-.032 (.81) | D<br>±.005 (.1) | T<br>±.007 (.2) | DESC<br>DWG. NO. |
| E-850-CI  | CS-600-F 10.75    | 8.5 (215.9)      |                                 |                                 | .072 (1.8)      | .141 (3.6)      | B4006-13         |
| E-900-CI  | CS-600-F 14.00    | 9.0 (228.6)      | 7.531(191.3)                    | 3.766 (95.7)                    | .072 (1.8)      | .141 (3.6)      | B4006-14         |
| E-950-CI  | CS-600-F 14.00    | 9.5 (241.3)      |                                 |                                 | .072 (1.8)      | .141 (3.6)      | B4006-15         |
| E-1000-CI | CS-600-F 14.00    | 10.0 (254.0)     | 9.031(229.4)                    | 4.516 (114.7)                   | .072 (1.8)      | .141 (3.6)      | B4006-16         |
| E-1050-CI | CS-600-F 14.00    | 10.5 (266.7)     |                                 |                                 | .072 (1.8)      | .141 (3.6)      | B4006-17         |
| E-1100-CI | CS-600-F 14.00    | 11.0 (279.4)     |                                 |                                 | .072 (1.8)      | .141 (3.6)      | B4006-18         |
| E-1150-CI | CS-600-F 14.00    | 11.5 (292.1)     | 10.547(267.9)                   | 5.274 (134.0)                   | .087 (2.2)      | .156 (4.0)      | B4006-19         |
| E-1200-CI | CS-600-F 14.00    | 12.0 (304.8)     |                                 |                                 | .087 (2.2)      | .156 (4.0)      | B4006-20         |
| E-1250-CI | CS-600-F 14.00    | 12.5 (317.5)     |                                 |                                 | .087 (2.2)      | .156 (4.0)      | B4006-21         |
| E-1300-CI | CS-600-F 14.00    | 13.0 (330.2)     | 12.047(306.0)                   | 6.024 (153.0)                   | .087 (2.2)      | .156 (4.0)      | B4006-22         |
| E-1350-CI | CS-600-F 14.00    | 13.5 (342.9)     |                                 |                                 | .087 (2.2)      | .156 (4.0)      | B4006-23         |
| E-1400-CI | CS-600-F 14.00    | 14.0 (355.6)     |                                 |                                 | .087 (2.2)      | .156 (4.0)      | B4006-24         |



UNLESS OTHERWISE SPECIFIED:  
DIMENSIONS ARE IN INCHES

TOLERANCES

| DECIMALS    | ANGULAR |
|-------------|---------|
| .X ± .1     | X° ± 1° |
| .XX ± .01   |         |
| .XXX ± .005 |         |

DESIGNER: DAVID GREEN  
DATE: 04/04/03

CHECKER: M. CHEN  
DATE: 04/04/03

**Bivar**<sup>®</sup>

4 THOMAS, IRVINE, CA.92618  
TEL: (949) 951-8808 FAX: (949) 951-3874

PART NAME: ECON-O-GIDE PRESS-IN CARD GUIDE W/ CONDUCTIVE INSERT

| SIZE | DWG NAME | DWG NO.  | REV |
|------|----------|----------|-----|
| A    |          | E-XXX-CI | C   |

SCALE 1=1 CAGE CODE 32559 SHEET 1 OF 1