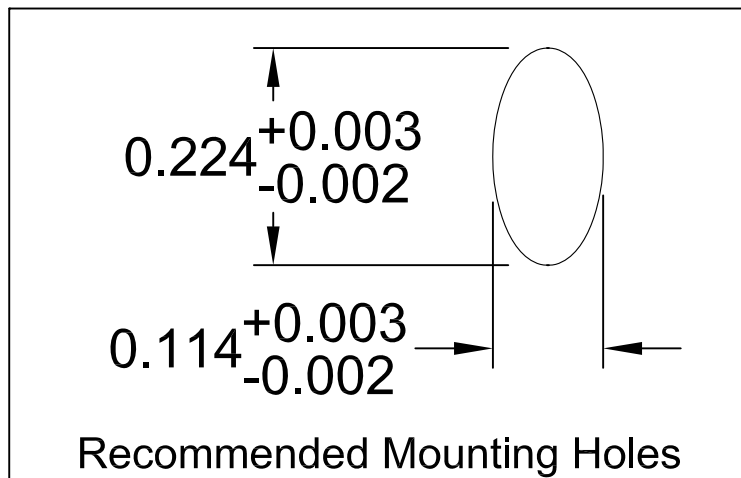
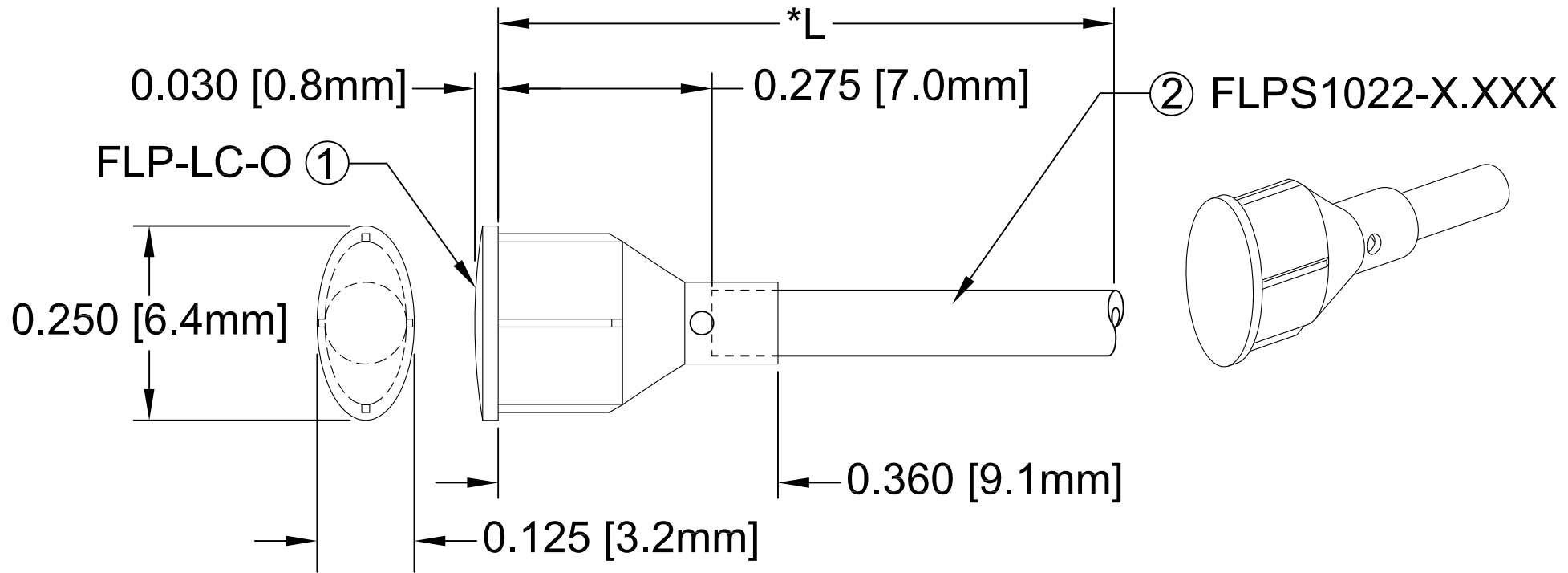


ITEM	Q'TY	PART NUMBER	PART DESCRIPTION
1	1	FLP-LC-O	HOLDER CAP, FLEXIBLE LIGHT-PIPE, OVAL
2	1	FLPS1022-X.XXX	LIGHT PIPE CABLE, CUT LENGTH IN INCHES

REV.	DESCRIPTION	DATE	APPROVED
B	Engineering Update w/o Changes	03/01/04	M. C.
C	Dimensioning Update w/o Changes	01/05/05	M. C.
D	Cable Length Update	09/18/06	M. C.
E	Updated Fiber In BOM	11/16/12	T. Y.



" L "	Tolerance
0.750" ~ 16.000"	±0.050"
16.100" ~ 40.000"	±0.150"
40.100" ~ 80.000"	±0.300"
80.100" ~ 3,940.0"	±0.5%

STANDARD TOLERANCE ( UNLESS OTHERWISE SPECIFIED )		<b>BIVAR</b> <sup>®</sup> 4 THOMAS, IRVINE, CA. 92618 TEL: (949) 951-8808 FAX: (949) 951-3974			
DECIMALS	ANGULAR				
.X ±.1	X° ± 1°		TITLE: OVAL LENS CAP ASSEMBLY		
.XX ±.02			DESIGNED: <b>Shane Irving</b>	DATE: <b>05/22/02</b>	PART NO: <b>FLPO-XX.X</b>
.XXX ±.010		CHECKED: <b>M. Chen</b>	DATE: <b>05/22/02</b>	CAGE CODE : <b>32559</b>	SHEET # <b>1 OF 1</b>
CAD GENERATED DOCUMENT, DO NOT MEASURE DRAWING.					

\*NOTE:  
ALLOWABLE CUT LENGTH IS UP TO 3 DECIMAL PLACES.