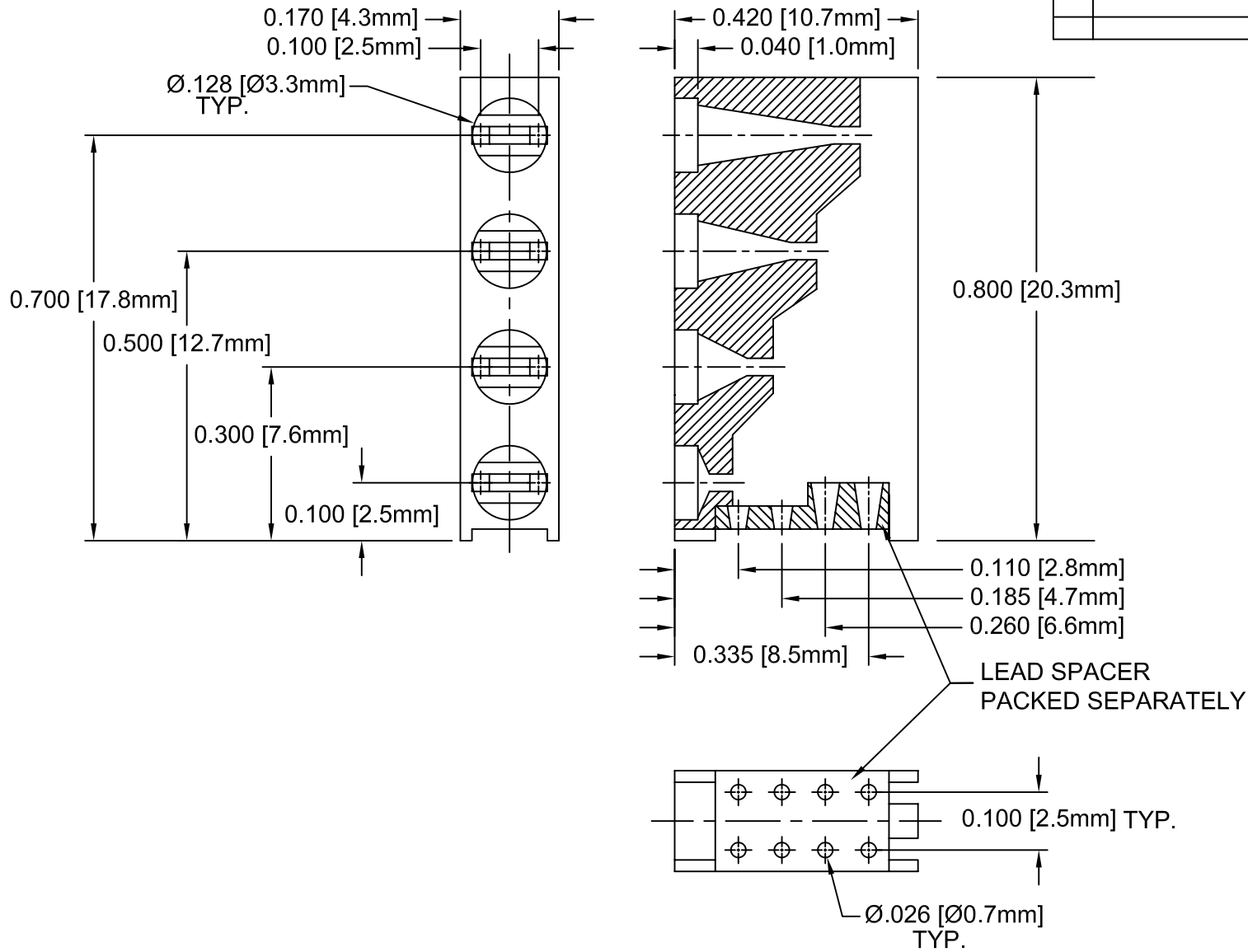

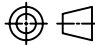


| REV. | DESCRIPTION | DATE | APPROVED |
|------|--------------------------------|----------|----------|
| B | Engineering Update w/o Changes | 02/27/04 | M. C. |
| C | Removed Mounting Pattern | 01/02/07 | M. C. |
| | | | |
| | | | |



2. MATERIAL: NYLON 6/6, 94V-0, BLACK. BIVAR MATERIAL CODE 22-BK.
RTP POLYAMIDE NYLON 6/6, 0200 FR, BLACK OR MODIFIED PLASTICS MN6/6-SE BK.
1. GENERAL SPECIFICATIONS: BIVAR MOLDED COMPONENT SPECIFICATION BV00-E101.

| STANDARD TOLERANCE (UNLESS OTHERWISE SPECIFIED) | |  4 THOMAS, IRVINE, CA. 92618 TEL: (949) 951-8808 FAX: (949) 951-3974 | |
|--|--------------------------|---|------------------------------|
| DECIMALS | ANGULAR | | |
| .X ±.1 | X° ± 1° |  TITLE: QUAD-LEVEL T-1 (3mm) LED HOLDER TWO-PIECE | |
| .XX ±.01 | | | |
| .XXX ±.005 | | | |
| DESIGNED: Shane Irving | DATE: 06/24/02 | PART NO: H-420C | REVISION: C |
| CHECKED: M. Chen | DATE: 06/25/02 | CAGE CODE : 32559 | SHEET # 1 OF 1 |

CAD GENERATED DOCUMENT, DO NOT MEASURE DRAWING.