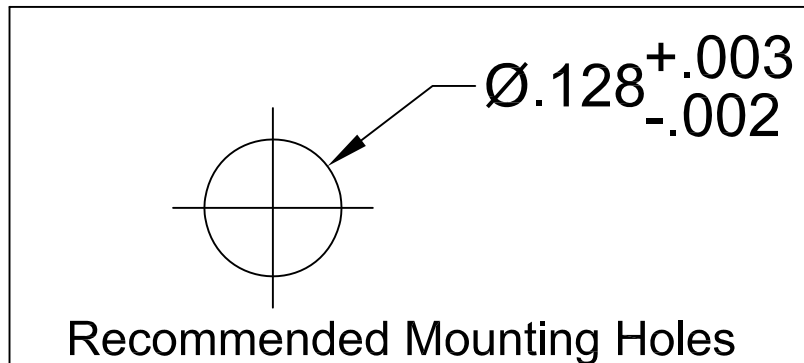
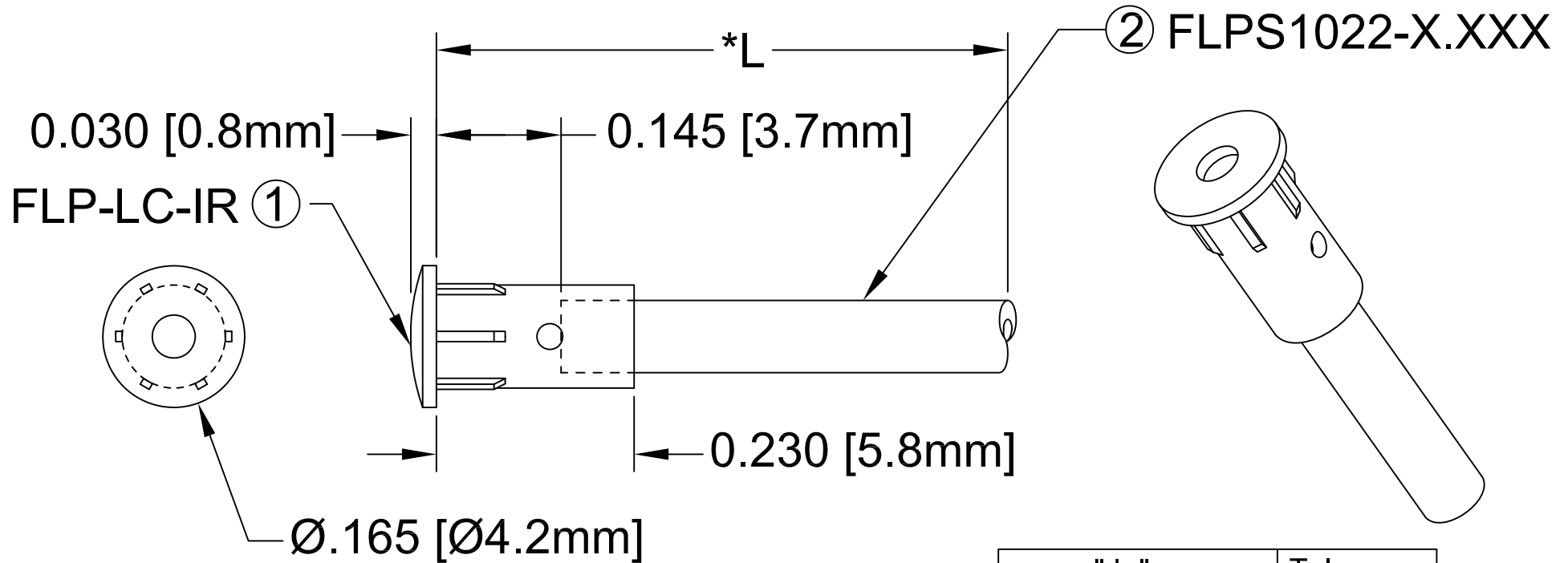


ITEM	Q'TY	PART NUMBER	PART DESCRIPTION
1	1	FLP-LC-IR	HOLDER CAP, FLEXIBLE LIGHT-PIPE, IR
2	1	FLPS1022-X.XXX	LIGHT PIPE CABLE, CUT LENGTH IN INCHES

REV.	DESCRIPTION	DATE	APPROVED
B	Engineering Update w/o Changes	03/08/04	M. C.
C	Dimensioning Update w/o Changes	01/05/05	M. C.
D	Updated Fiber In BOM.	11/14/12	T. Y.



" L "	Tolerance
0.750" ~ 16.000"	±0.050"
16.100" ~ 40.000"	±0.150"
40.100" ~ 80.000"	±0.300"
80.100" ~ 3,940.0"	±0.5%

STANDARD TOLERANCE (UNLESS OTHERWISE SPECIFIED)	
DECIMALS	ANGULAR
.X ±.1	X° ± 1°
.XX ±.02	
.XXX ±.010	

BIVAR®

4 THOMAS, IRVINE, CA. 92618
TEL: (949) 951-8808 FAX: (949) 951-3974

TITLE: LENS CAP / FLP ASSEMBLY,
INFRARED ROUND

DESIGNED: David Green
DATE: 03/24/03

PART NO: LC-IR-XX.X
REVISION: D

CHECKED: M. Chen
DATE: 03/24/03

CAGE CODE : 32559 SHEET # 1 OF 1
CAD GENERATED DOCUMENT, DO NOT MEASURE DRAWING.

*NOTE:
ALLOWABLE CUT LENGTH IS UP TO 3 DECIMAL PLACES.