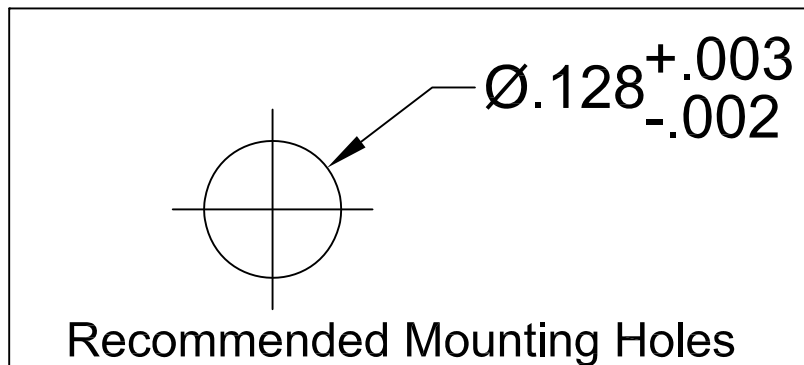
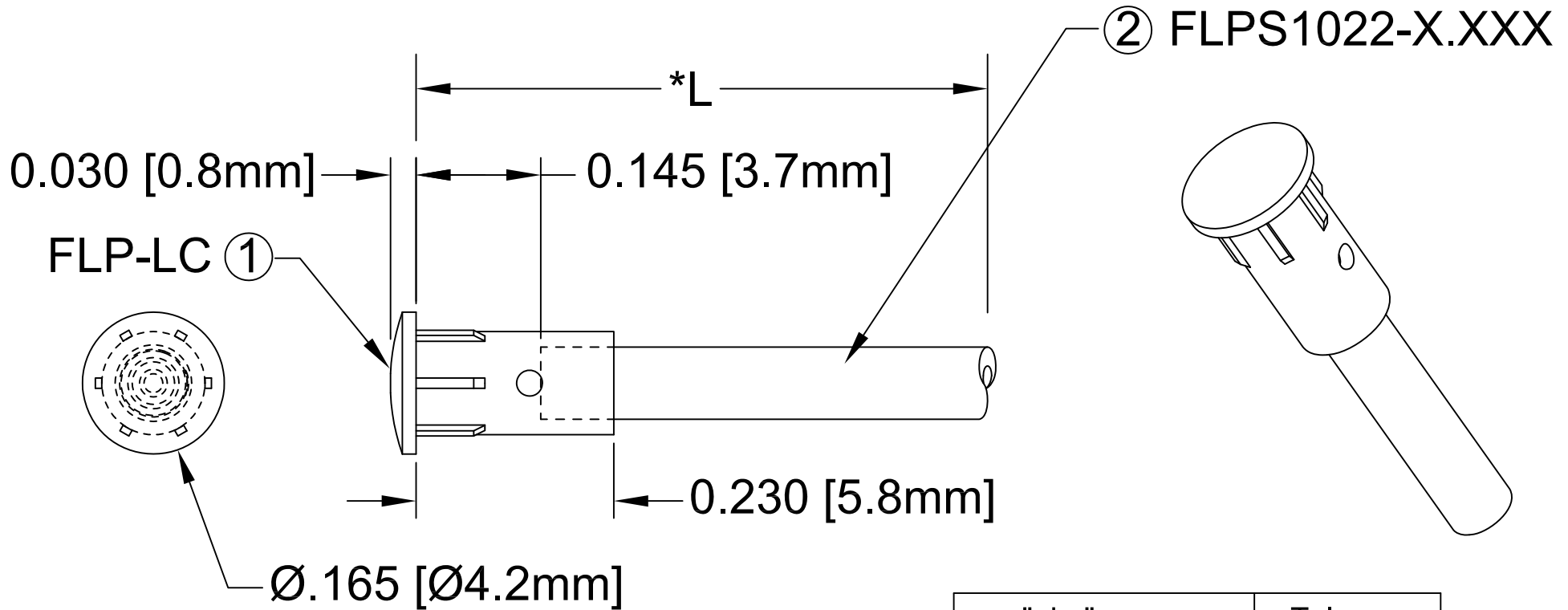



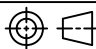
ITEM	Q'TY	PART NUMBER	PART DESCRIPTION
1	1	FLP-LC	HOLDER CAP, FLEXIBLE LIGHT-PIPE
2	1	FLPS1022-X.XXX	LIGHT PIPE CABLE, CUT LENGTH IN INCHES

REV.	DESCRIPTION	DATE	APPROVED
F	Typo Correction	12/08/04	M. C.
G	Dimensioning Update w/o Changes	01/04/05	M. C.
H	FLP Length Update.	10/18/05	M. C.
J	FLP Length Clarification.	01/11/06	M. C.
K	Corrected "L" Dimension Measurement.	07/25/07	M. C.
M	Updated Fiber In BOM	11/14/12	T. Y.



" L "	Tolerance
0.750" ~ 16.000"	±0.050"
16.100" ~ 40.000"	±0.150"
40.100" ~ 80.000"	±0.300"
80.100" ~ 3,940.0"	±0.5%

*NOTE:
ALLOWABLE CUT LENGTH IS UP TO 3 DECIMAL PLACES.

STANDARD TOLERANCE (UNLESS OTHERWISE SPECIFIED)		 BIVAR [®] 4 THOMAS, IRVINE, CA. 92618 TEL: (949) 951-8808 FAX: (949) 951-3974	
DECIMALS	ANGULAR		
.X ±.1	X° ± 1°		TITLE: LENS CAP / FLP ASSEMBLY, 4mm ROUND
.XX ±.02			DESIGNED: Shane Irving DATE: 05/22/02 PART NO: LC-XX.X REVISION: M
.XXX ±.010		CHECKED: M. Chen DATE: 05/22/02 CAGE CODE : 32559 SHEET # 1 OF 1	CAD GENERATED DOCUMENT, DO NOT MEASURE DRAWING.