

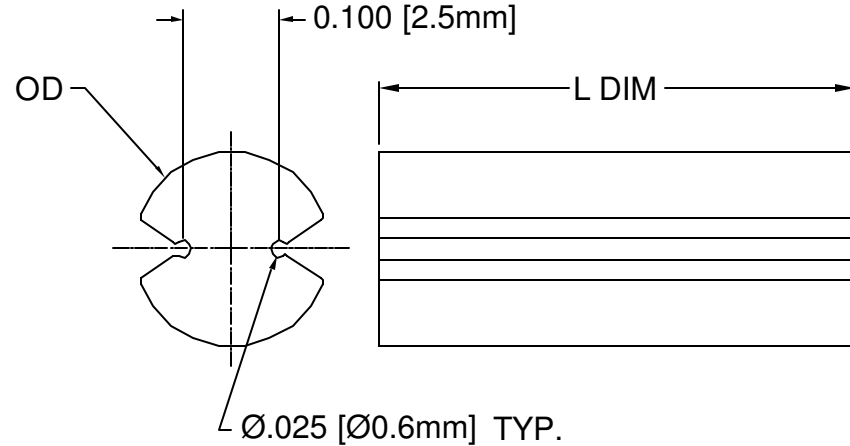
MLM1-XXX SERIES

PART NO.	L DIM ± 0.008	OD
MLM1-118	0.118 [3.0mm]	0.157 [4.0mm]
MLM1-138	0.138 [3.5mm]	
MLM1-157	0.157 [4.0mm]	
MLM1-177	0.177 [4.5mm]	
MLM1-197	0.197 [5.0mm]	
MLM1-217	0.217 [5.5mm]	
MLM1-236	0.236 [6.0mm]	
MLM1-256	0.256 [6.5mm]	
MLM1-276	0.276 [7.0mm]	
MLM1-295	0.295 [7.5mm]	
MLM1-315	0.315 [8.0mm]	
MLM1-335	0.335 [8.5mm]	
MLM1-354	0.354 [9.0mm]	
MLM1-374	0.374 [9.5mm]	
MLM1-394	0.394 [10.0mm]	
MLM1-413	0.413 [10.5mm]	
MLM1-433	0.433 [11.0mm]	
MLM1-453	0.453 [11.5mm]	
MLM1-472	0.472 [12.0mm]	
MLM1-492	0.492 [12.5mm]	
MLM1-512	0.512 [13.0mm]	
MLM1-531	0.531 [13.5mm]	
MLM1-551	0.551 [14.0mm]	
MLM1-571	0.571 [14.5mm]	
MLM1-591	0.591 [15.0mm]	
MLM1-610	0.610 [15.5mm]	
MLM1-630	0.630 [16.0mm]	
MLM1-650	0.650 [16.5mm]	
MLM1-669	0.669 [17.0mm]	
MLM1-689	0.689 [17.5mm]	
MLM1-709	0.709 [18.0mm]	
MLM1-728	0.728 [18.5mm]	
MLM1-748	0.748 [19.0mm]	
MLM1-768	0.768 [19.5mm]	
MLM1-787	0.787 [20.0mm]	
MLM1-807	0.807 [20.5mm]	
MLM1-827	0.827 [21.0mm]	
MLM1-846	0.846 [21.5mm]	


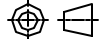
MLM2-XXX SERIES

PART NO.	L DIM ± 0.008	OD
MLM2-118	0.118 [3.0mm]	0.205 [5.2mm]
MLM2-138	0.138 [3.5mm]	
MLM2-157	0.157 [4.0mm]	
MLM2-177	0.177 [4.5mm]	
MLM2-197	0.197 [5.0mm]	
MLM2-217	0.217 [5.5mm]	
MLM2-236	0.236 [6.0mm]	
MLM2-256	0.256 [6.5mm]	
MLM2-276	0.276 [7.0mm]	
MLM2-295	0.295 [7.5mm]	
MLM2-315	0.315 [8.0mm]	
MLM2-335	0.335 [8.5mm]	
MLM2-354	0.354 [9.0mm]	
MLM2-374	0.374 [9.5mm]	
MLM2-394	0.394 [10.0mm]	
MLM2-413	0.413 [10.5mm]	
MLM2-433	0.433 [11.0mm]	
MLM2-453	0.453 [11.5mm]	
MLM2-472	0.472 [12.0mm]	
MLM2-492	0.492 [12.5mm]	
MLM2-512	0.512 [13.0mm]	
MLM2-531	0.531 [13.5mm]	
MLM2-551	0.551 [14.0mm]	
MLM2-571	0.571 [14.5mm]	
MLM2-591	0.591 [15.0mm]	
MLM2-610	0.610 [15.5mm]	
MLM2-630	0.630 [16.0mm]	
MLM2-650	0.650 [16.5mm]	
MLM2-669	0.669 [17.0mm]	
MLM2-689	0.689 [17.5mm]	
MLM2-709	0.709 [18.0mm]	
MLM2-728	0.728 [18.5mm]	
MLM2-748	0.748 [19.0mm]	
MLM2-768	0.768 [19.5mm]	
MLM2-787	0.787 [20.0mm]	
MLM2-807	0.807 [20.5mm]	
MLM2-827	0.827 [21.0mm]	

REV.	DESCRIPTION	DATE	APPROVED
A	Engineering Release.	07/11/06	M. C.
B	Removed T Dimension, Updated Hole Diameter.	09/07/06	M. C.
C	L DIM Tolerance Update.	10/31/06	M. C.



2. MATERIAL: NYLON 6/6, 94-V0, BLACK. BIVAR MATERIAL CODE 22-BK.
RTP POLYAMIDE NYLON 6/6, 0200 FR, BLACK OR MODIFIED PLASTICS MN6/6-SE BK.
1. GENERAL SPECIFICATIONS: BIVAR MOLDED COMPONENT SPECIFICATION BV00-E101.

STANDARD TOLERANCE (UNLESS OTHERWISE SPECIFIED)		 4 THOMAS, IRVINE, CA. 92618 TEL: (949) 951-8808 FAX: (949) 951-3974	
DECIMALS	ANGULAR		
.X ±.1	X° ±1°		
.XX ±.01		 TITLE: MOLDED, SELF-RETAINING LED MOUNT	
.XXX ±.005			
DESIGNED: Ty Yin	DATE: 07/11/06	PART NO: MLMX-XXX	REVISION: C
CHECKED: M. Chen	DATE: 07/11/06	CAGE CODE : 32559	SHEET # 1 OF 1
CAD GENERATED DOCUMENT, DO NOT MEASURE DRAWING.			