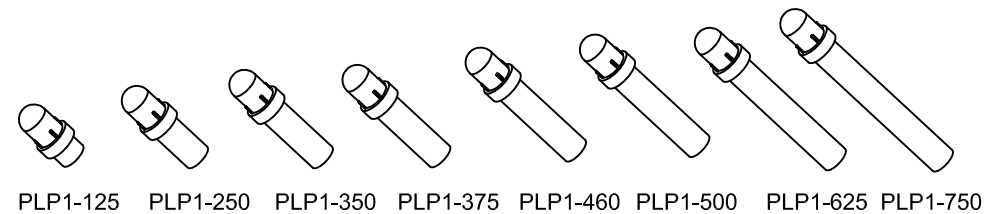
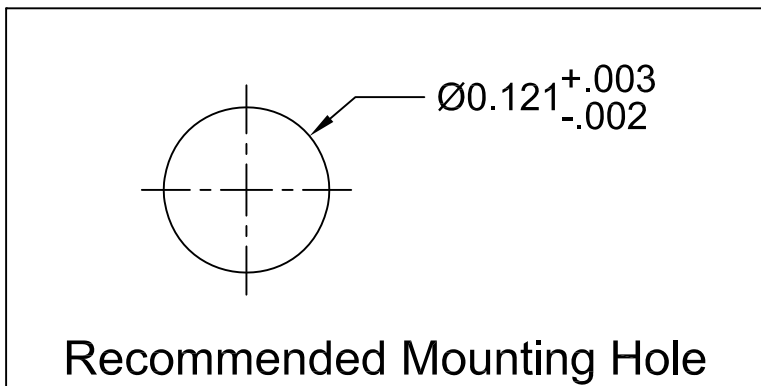
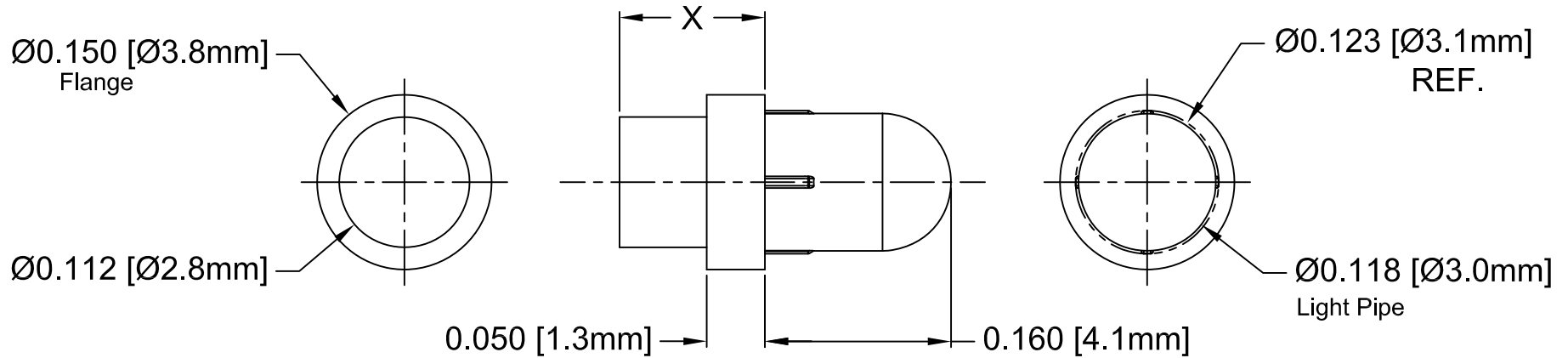


Part No.	X = Body Length
PLP1-125	0.125 (3.2mm)
PLP1-250	0.250 (6.4mm)
PLP1-350	0.350 (8.9mm)
PLP1-375	0.375 (9.5mm)
PLP1-460	0.460 (11.7mm)
PLP1-500	0.500 (12.7mm)
PLP1-625	0.625 (15.9mm)
PLP1-750	0.750 (19.0mm)

REV.	DESCRIPTION	DATE	APPROVED
K	Updated Rib Dimension.	04/10/09	T. Y.
L	Updated General Specifications Note 1.	10/01/12	T. Y.



2. MATERIAL: POLYCARBONATE, 94V-0, CLEAR. BIVAR MATERIAL CODE 47-CR. SAM YANG CORPORATION POLYCARBONATE 3025N2 CLEAR.

1. GENERAL SPECIFICATIONS: BIVAR MOLDED COMPONENT SPECIFICATION BV00-E101 and BSMC-1001 .

STANDARD TOLERANCE (UNLESS OTHERWISE SPECIFIED)		 4 THOMAS, IRVINE, CA. 92618 TEL: (949) 951-8808 FAX: (949) 951-3974	
DECIMALS	ANGULAR		
.X ± .1	X° ± 1°		TITLE: PRESS-FIT, PANEL MOUNT, LIGHT PIPE, ROUND TOP
.XX ± .01			
.XXX ± .005			
DESIGNED: Michael Chen	DATE: 01/16/02	PART NO: PLP1-XXX	REVISION: L
CHECKED: E. M. Muldoon	DATE: 04/26/02	CAGE CODE : 32559	SHEET # 1 OF 1

CAD GENERATED DOCUMENT, DO NOT MEASURE DRAWING.