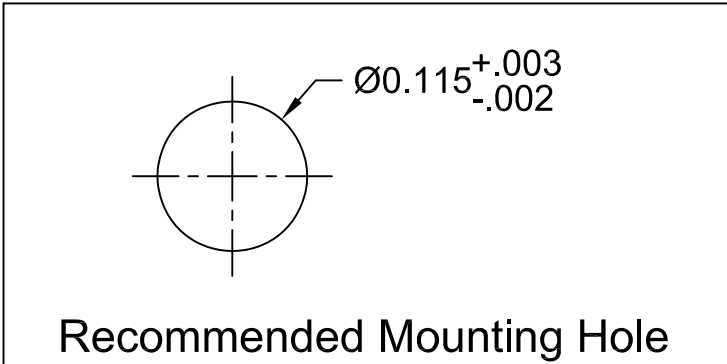
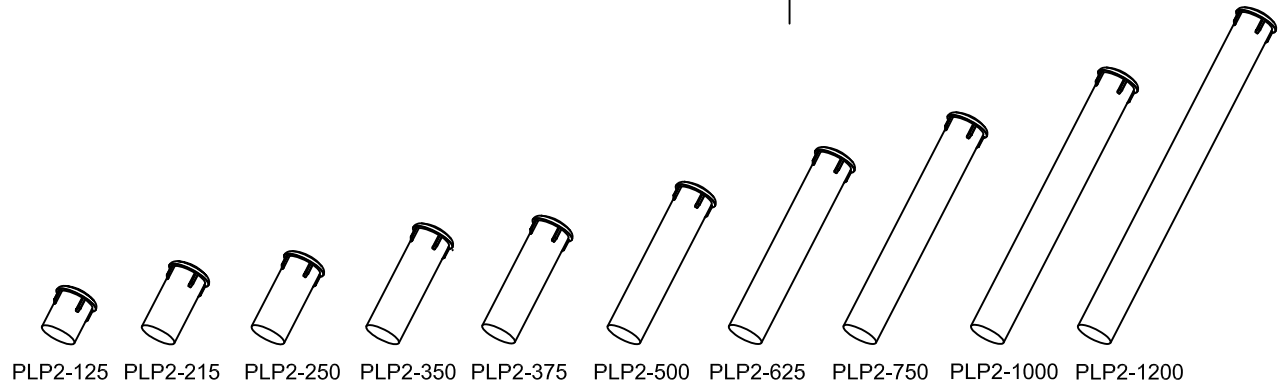
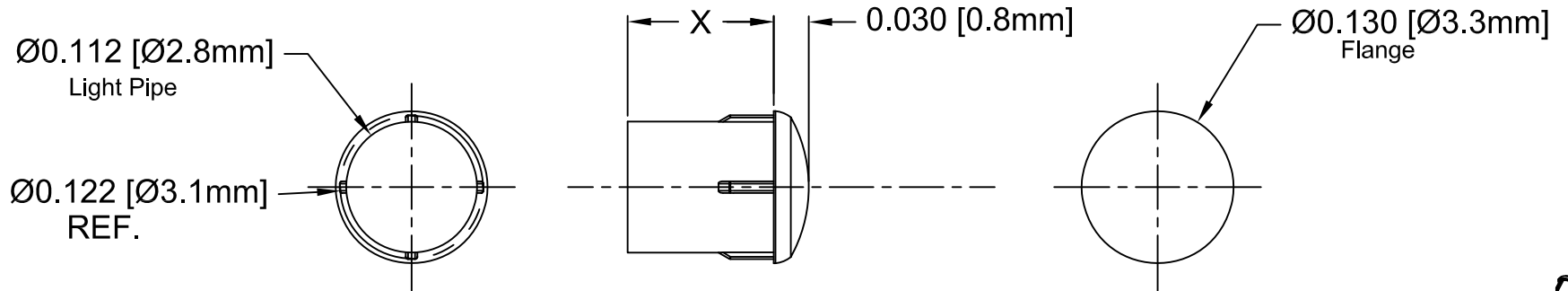

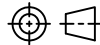


Part No.	X = Body Length
PLP2-125	0.125 (3.2mm)
PLP2-215	0.215 (5.5mm)
PLP2-250	0.250 (6.4mm)
PLP2-350	0.350 (8.9mm)
PLP2-375	0.375 (9.5mm)
PLP2-500	0.500 (12.7mm)
PLP2-625	0.625 (15.9mm)
PLP2-750	0.750 (19.0mm)
PLP2-1000	1.000 (25.4mm)
PLP2-1200	1.200 (30.5mm)

REV.	DESCRIPTION	DATE	APPROVED
P	Updated Material Callout	03/14/11	T. Y.
R	Updated General Specifications Note 1.	10/01/12	T. Y.



2. MATERIAL: POLYCARBONATE, 94V-0, CLEAR. BIVAR MATERIAL CODE 47-CR.
1. GENERAL SPECIFICATIONS: BIVAR MOLDED COMPONENT SPECIFICATION BV00-E101 and BSMC-1001.

STANDARD TOLERANCE (UNLESS OTHERWISE SPECIFIED)		 BIVAR [®] 4 THOMAS, IRVINE, CA. 92618 TEL: (949) 951-8808 FAX: (949) 951-3974	
DECIMALS	ANGULAR		
.X ±.1	X° ± 1°	TITLE: PRESS-FIT, PANEL MOUNT, LIGHT PIPE, FRONT MOUNT	
.XX ±.01			
.XXX ±.005			
DESIGNED: Michael Chen	DATE: 01/16/02	PART NO: PLP2-XXX	
CHECKED: E. M. Muldoon	DATE: 04/26/02	CAGE CODE : 32559	SHEET # 1 OF 1
CAD GENERATED DOCUMENT, DO NOT MEASURE DRAWING.			