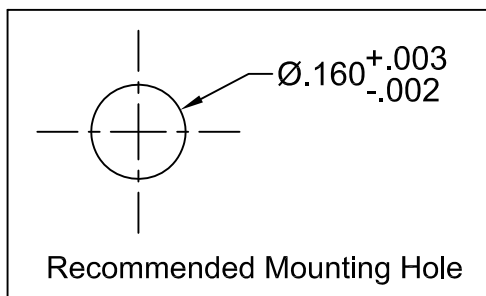
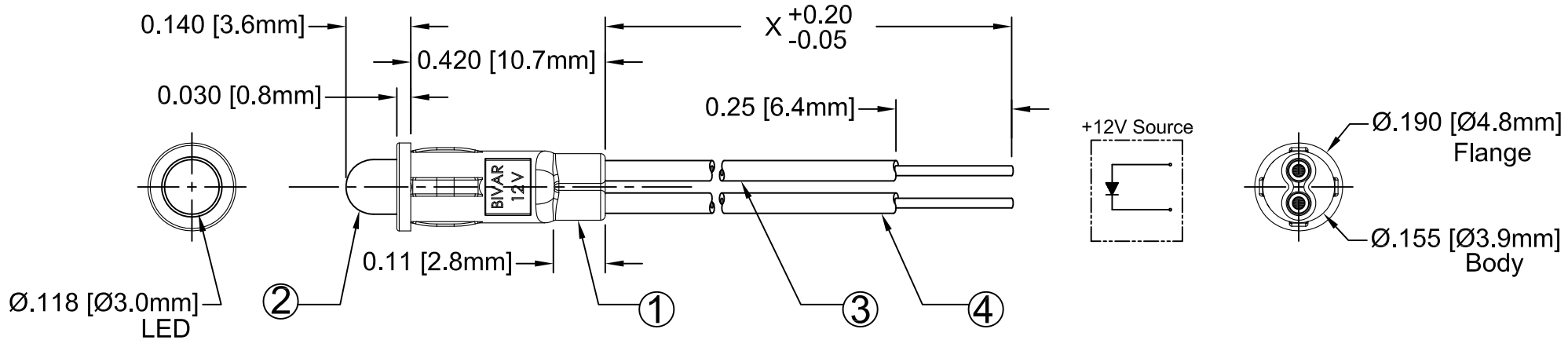
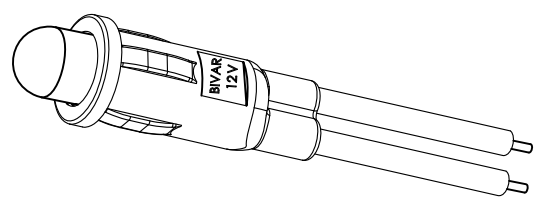


ITEM	Q'TY	PART NUMBER	PART DESCRIPTION
1	1	PM3-12V	12V LED Holder, Panel Mount, Press Fit, (3mm)
2	1	3XX12V-S	T-1 (3mm) Non-Flange, Shouldered LED, 12 Volt
3	1	BWS24-1061-RD	24AWG Wire Lead U.L. 1061, Red
4	1	BWS24-1061-BK	24AWG Wire Lead U.L. 1061, Black

REV.	DESCRIPTION	DATE	APPROVED
A	Engineering Release	10/02/08	M. C.
B	Updated LED to -S	11/14/08	T. Y.



EXAMPLE:
PM3RD12VW6.5*
 Wire Length "X"
 12 Volt Internal Resistor
 LED Color & Lens Appearance.
 Series




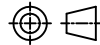
ABSOLUTE MAXIMUM RATINGS (Ta = 25°C)

REVERSE VOLTAGE	5V
REVERSE CURRENT (VR=5V)	100µA
OPERATING TEMPERATURE RANGE	-25°C ~ 85°C
STORAGE TEMPERATURE	-30°C ~ 100°C
LEAD SOLDERING TEMPERATURE (1/16" FROM BODY)	260°C for 5 Seconds

STANDARD TOLERANCE (UNLESS OTHERWISE SPECIFIED)		 BIVAR [®] 4 THOMAS, IRVINE, CA. 92618 TEL: (949) 951-8808 FAX: (949) 951-3974	
DECIMALS	ANGULAR		
.X ± .1	X° ± 1°		
.XX ± .02		 TITLE: T-1 (3mm) PANEL MOUNT ASSEMBLY	
.XXX ± .010			
DESIGNED: Raffy Paje	DATE: 10/02/08	PART NO: PM3XX12VWX.X	REVISION: B
CHECKED: Fred Jensen	DATE: 10/02/08	CAGE CODE : 32559	SHEET # 1 OF 2
CAD GENERATED DOCUMENT, DO NOT MEASURE DRAWING.			

REV.	DESCRIPTION	DATE	APPROVED
	SEE SHEET#1.		

LED Assembly No.	Chip			Lens Appearance	Absolute Max. Ratings		Electro-Optical Data @ 12V		Viewing Angle 2 Θ ½ (Deg)	LED P/N
	Material	Peak Wave Length λp(nm)	Emitted Color		If (mA)	Peak If(mA)	Vf (V) Max.	Iv (mcd) Typ.		
PM3GC12VWX.X	GaP/GaP	568	GREEN	WATER CLEAR	10	12	12	40	30	3GC12V-S
PM3GD12VWX.X	GaP/GaP	568	GREEN	DIFFUSED	10	12	12	25	40	3GD12V-S
PM3HC12VWX.X	GaP/GaP	625	HE RED	WATER CLEAR	10	12	12	50	30	3HC12V-S
PM3HD12VWX.X	GaP/GaP	625	HE RED	DIFFUSED	10	12	12	30	40	3HD12V-S
PM3RC12VWX.X	GaP/GaP	700	RED	WATER CLEAR	10	12	12	6	30	3RC12V-S
PM3RD12VWX.X	GaP/GaP	700	RED	DIFFUSED	10	12	12	2	40	3RD12V-S
PM3YC12VWX.X	GaAsP/GaP	590	YELLOW	WATER CLEAR	10	12	12	40	30	3YC12V-S
PM3YD12VWX.X	GaAsP/GaP	590	YELLOW	DIFFUSED	10	12	12	25	40	3YD12V-S

STANDARD TOLERANCE (UNLESS OTHERWISE SPECIFIED) ±10% ALL VALUES ANGULAR		 BIVAR ® 4 THOMAS, IRVINE, CA. 92618 TEL: (949) 951-8808 FAX: (949) 951-3974	
			
		DESIGNED: Raffy Paje	DATE: 10/02/08
CHECKED: Fred Jensen	DATE: 10/02/08	CAGE CODE : 32559	SHEET # 2 OF 2
CAD GENERATED DOCUMENT, DO NOT MEASURE DRAWING.			