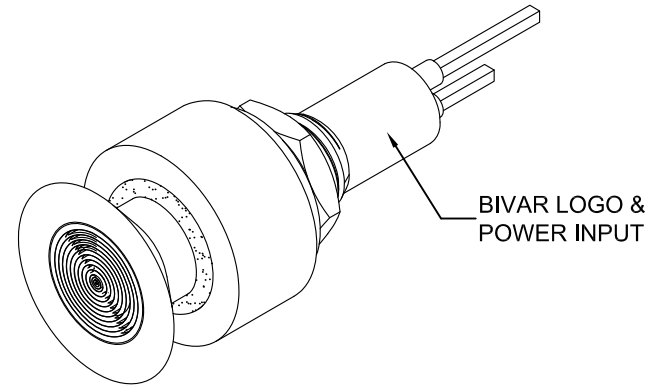
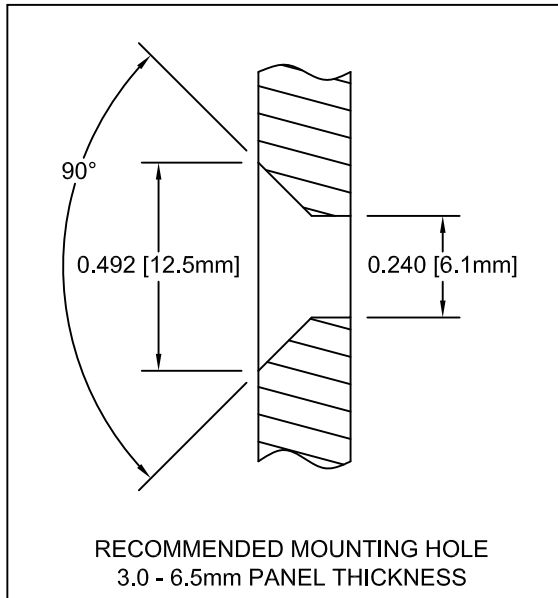
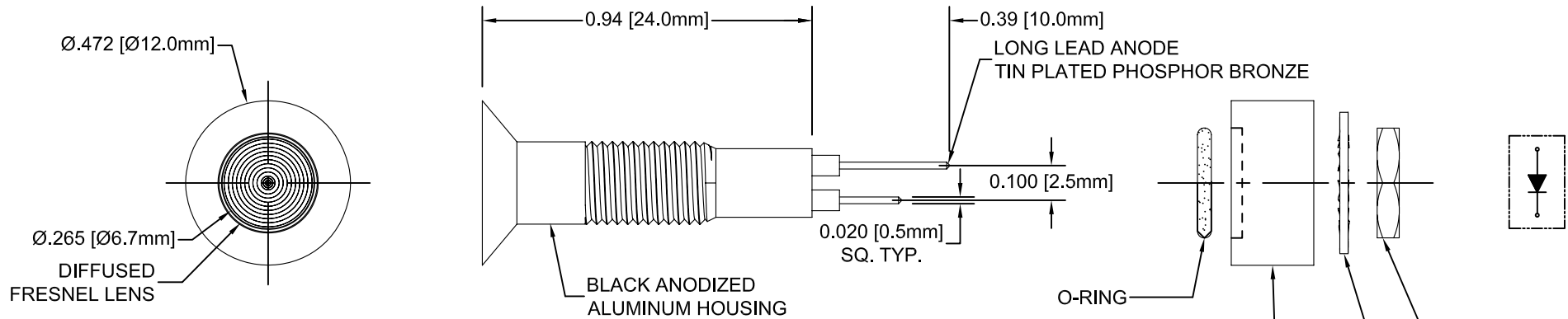


REV.	DESCRIPTION	DATE	APPROVED
B	Engineering Release	07/28/11	T. Y.



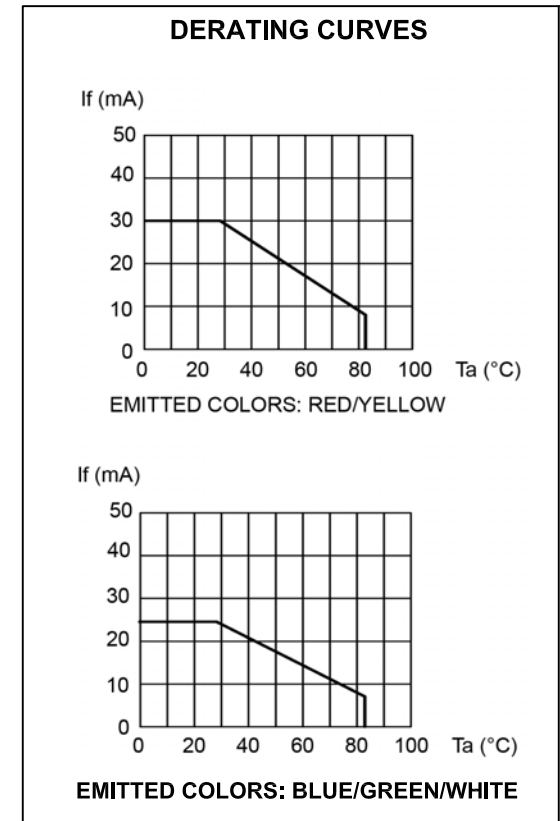
- NOTES:
1. FLUSH MOUNTING
 2. SEALED TO IP67 RATING
 3. INTERNAL REVERSE PROTECTION DIODE
 4. ROHS COMPLIANT
 5. MOUNTING HARDWARE SHIPPED NON-ASSEMBLED

STANDARD TOLERANCE (UNLESS OTHERWISE SPECIFIED)			BIVAR [®] 4 THOMAS, IRVINE, CA. 92618 TEL: (949) 951-8808 FAX: (949) 951-3974	
DECIMALS	ANGULAR			
.X ± .1	X° ± 1°		TITLE: WATER TIGHT PANEL MOUNT LED ASSEMBLY, 6MM MOUNTING	
.XX ± .02				PART NO: PM5-A12XXX
.XXX ± .010				
DESIGNED: Raffy Paje	DATE: 02/23/11	PART NO: PM5-A12XXX	REVISION: B	
CHECKED: T. Yin	DATE: 02/23/11	CAGE CODE : 32559	SHEET # 1 OF 2	
CAD GENERATED DOCUMENT, DO NOT MEASURE DRAWING.				

REV.	DESCRIPTION	DATE	APPROVED
	SEE SHEET #1		

LED Assy. No.	Peak Wave Length λ_p (nm)	Emitted Color	Lens Appearance	Electro-Optical Data @ 20mA		Viewing Angle
				Vf (VDC)	Iv (mcd)	
				TYP	TYP	
PM5-A12R12V	660	RED	RED DIFFUSED	12	39	120
PM5-A12Y12V	585	YELLOW	YELLOW DIFFUSED	12	87	120
PM5-A12G12V	525	GREEN	GREEN DIFFUSED	12	576	120
PM5-A12B12V	470	BLUE	BLUE DIFFUSED	12	128	120
PM5-A12R28V	660	RED	RED DIFFUSED	24-28	39	120
PM5-A12Y28V	585	YELLOW	YELLOW DIFFUSED	24-28	87	120
PM5-A12G28V	525	GREEN	GREEN DIFFUSED	24-28	576	120
PM5-A12B28V	470	BLUE	BLUE DIFFUSED	24-28	128	120

LED Assy. No.	Chromaticity Coordinates	Emitted Color	Lens Appearance	Electro-Optical Data @ 20mA		Viewing Angle
				Vf (VDC)	Iv (mcd)	
				TYP	TYP	
PM5-A12W12V	X = .29, Y = .30	WHITE	WHITE DIFFUSED	12	414	120
PM5-A12W28V	X = .29, Y = .31	WHITE	WHITE DIFFUSED	24-28	414	120



ABSOLUTE MAXIMUM RATINGS (Ta = 25°C)

MAXIMUM REVERSE VOLTAGE _____ 1000V
 MAXIMUM POWER DISSIPATION _____ 500 mW
 OPERATING TEMPERATURE RANGE _____ -30°C ~ 85°C
 STORAGE TEMPERATURE _____ -40°C ~ 85°C

STANDARD TOLERANCE (UNLESS OTHERWISE SPECIFIED)		BIVAR [®] 4 THOMAS, IRVINE, CA. 92618 TEL: (949) 951-8808 FAX: (949) 951-3974	
DECIMALS	ANGULAR		
		TITLE: WATER TIGHT PANEL MOUNT LED ASSEMBLY, 6MM MOUNTING	
		DESIGNED: Raffy Paje	DATE: 02/23/11
CHECKED: T. Yin		DATE: 02/23/11	CAGE CODE : 32559 SHEET # 2 OF 2
CAD GENERATED DOCUMENT, DO NOT MEASURE DRAWING.			