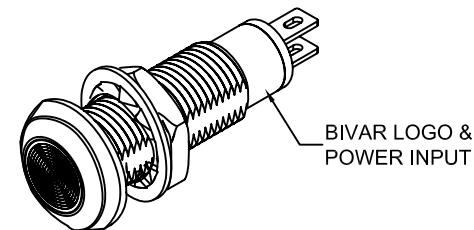
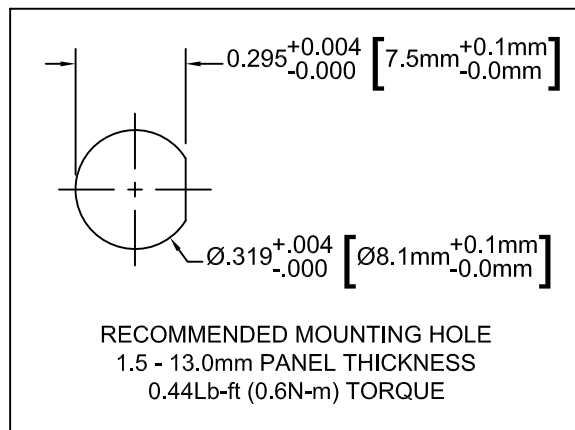
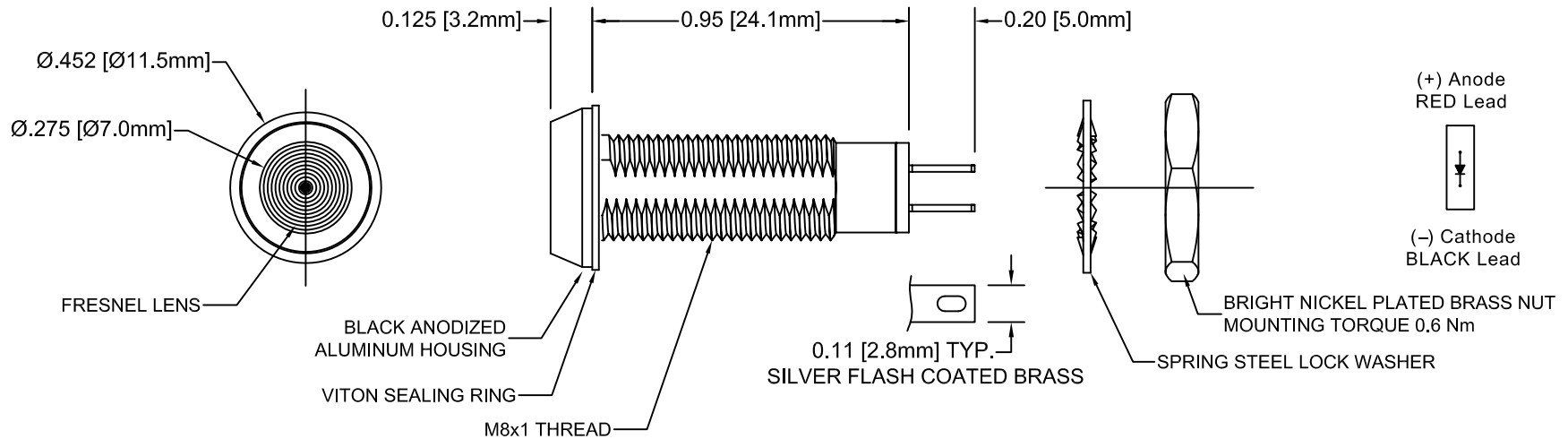




REV.	DESCRIPTION	DATE	APPROVED
A	Engineering Release	04/16/12	T. Y.



NOTES:

1. SEALED TO IP67 RATING
2. ROHS COMPLIANT
3. INTEGRAL EMC MESH
4. MOUNTING HARDWARE SHIPPED NON-ASSEMBLED
5. INSERT VITON RING ON PANEL MOUNT ASSEMBLY PRIOR TO PANEL INSTALLATION

STANDARD TOLERANCE ( UNLESS OTHERWISE SPECIFIED )		 <b>BIVAR</b> <sup>®</sup> 4 THOMAS, IRVINE, CA. 92618 TEL: (949) 951-8808 FAX: (949) 951-3974	
DECIMALS	ANGULAR		
.X ± .1	X° ± 1°		<b>TITLE:</b> IP-67 EMC PANEL MOUNT LED ASSEMBLY, 8.1MM MOUNTING <b>PART NO:</b> PM5-A677XXXV <b>REVISION:</b> A
.XX ± .02			
.XXX ± .010			
DESIGNED: <b>Brian Oliver</b>	DATE: <b>04/16/12</b>	<b>CAGE CODE :</b> 32559	<b>SHEET # 1 OF 2</b>
CHECKED: <b>T. Yin</b>	DATE: <b>04/16/12</b>	CAD GENERATED DOCUMENT, DO NOT MEASURE DRAWING.	



REV.	DESCRIPTION	DATE	APPROVED
	SEE SHEET #1		

LED Assy. No.	Peak Wave Length $\lambda_p$ (nm)	Emitted Color	Lens Appearance	Electro-Optical Data @ 10mA		Viewing Angle
				Vf (VDC/VAC)	Iv (mcd)	
				TYP	TYP	
PM5-A677B12V	465 nm	BLUE	SMOKED	12 VDC	400 mcd	120
PM5-A677B28V	465 nm	BLUE	SMOKED	24-28 VDC	400 mcd	120
PM5-A677G12V	515 nm	GREEN	SMOKED	12 VDC	800 mcd	120
PM5-A677G28V	515 nm	GREEN	SMOKED	24-28 VDC	800 mcd	120
PM5-A677R12V	630 nm	RED	SMOKED	12 VDC	600 mcd	120
PM5-A677R28V	630 nm	RED	SMOKED	24-28 VDC	600 mcd	120
PM5-A677Y12V	585 nm	YELLOW	SMOKED	12 VDC	600 mcd	120
PM5-A677Y28V	585 nm	YELLOW	SMOKED	24-28 VDC	600 mcd	120

LED Assy. No.	Chromaticity Coordinates	Emitted Color	Lens Appearance	Electro-Optical Data @ 20mA		Viewing Angle
				Vf (VDC/VAC)	Iv (mcd)	
				TYP	TYP	
PM5-A677W12V	X=0.31 Y=0.32	WHITE	SMOKED	12 VDC	1200	120
PM5-A677W28V	X=0.31 Y=0.33	WHITE	SMOKED	24-28 VDC	1200	120

## ABSOLUTE MAXIMUM RATINGS (Ta = 25°C)

MAXIMUM POWER DISSIPATION \_\_\_\_\_ 700 mW  
 OPERATING TEMPERATURE RANGE \_\_\_\_\_ -40°C ~ 80°C  
 STORAGE TEMPERATURE \_\_\_\_\_ -40°C ~ 100°C

STANDARD TOLERANCE ( UNLESS OTHERWISE SPECIFIED )		 4 THOMAS, IRVINE, CA. 92618 TEL: (949) 951-8808 FAX: (949) 951-3974	
DECIMALS	ANGULAR		
		TITLE: IP-67 EMC PANEL MOUNT LED ASSEMBLY, 8.1MM MOUNTING	
		DESIGNED: <b>Brian Oliver</b>	DATE: <b>04/16/12</b>
CHECKED: <b>T. Yin</b>		DATE: <b>04/16/12</b>	CAGE CODE : 32559 SHEET # 2 OF 2
CAD GENERATED DOCUMENT, DO NOT MEASURE DRAWING.			