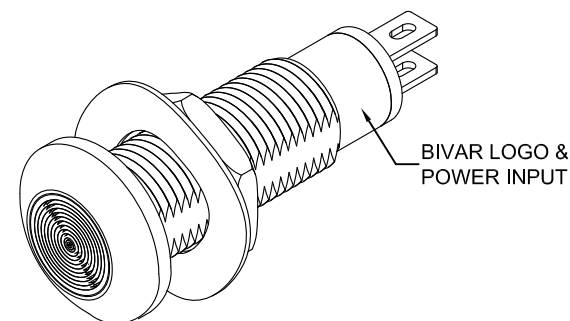
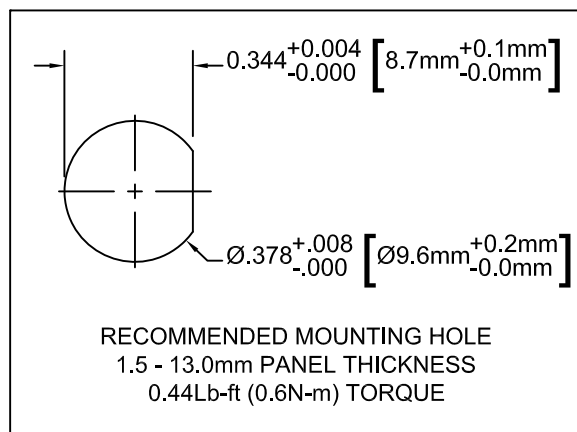
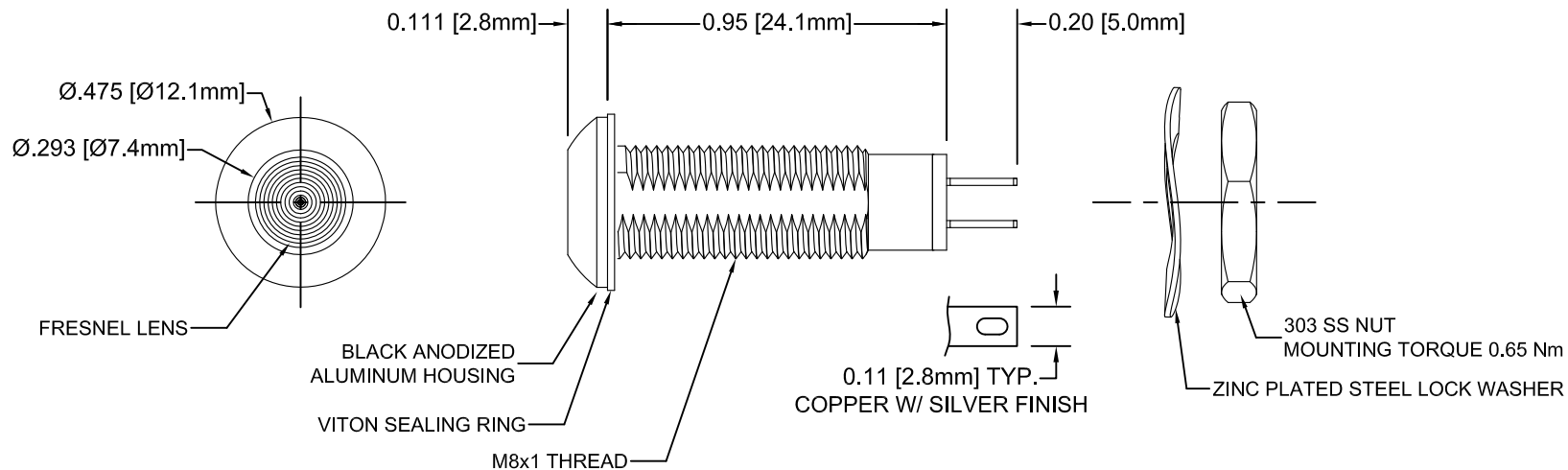


REV.	DESCRIPTION	DATE	APPROVED
A	Engineering Release	04/16/12	T. Y.



NOTES:

1. SEALED TO IP67 RATING
2. 8 ~ 48V AC/DC INPUT VOLTAGE
3. BI-POLAR OPERATION
4. ROHS COMPLIANT
5. MOUNTING HARDWARE SHIPPED NON-ASSEMBLED
6. INSERT VITON RING ON PANEL MOUNT ASSEMBLY PRIOR TO PANEL INSTALLATION

STANDARD TOLERANCE (UNLESS OTHERWISE SPECIFIED)			BIVAR [®] 4 THOMAS, IRVINE, CA. 92618 TEL: (949) 951-8808 FAX: (949) 951-3974
DECIMALS	ANGULAR		
.X ± .1	X° ± 1°		TITLE: WATER TIGHT PANEL MOUNT LED ASSEMBLY, 9.6MM MOUNTING
.XX ± .02			
.XXX ± .010			
DESIGNED: Brian Oliver	DATE: 04/16/12	PART NO: PM5-A690X48V	
CHECKED: T. Yin	DATE: 04/16/12	CAGE CODE : 32559	SHEET # 1 OF 2
CAD GENERATED DOCUMENT, DO NOT MEASURE DRAWING.			



REV.	DESCRIPTION	DATE	APPROVED
	SEE SHEET #1		

LED Assy. No.	Peak Wave Length λ_p (nm)	Emitted Color	Lens Appearance	Electro-Optical Data @ 10mA		Viewing Angle
				Vf (VDC/VAC)	Iv (mcd)	
				TYP	TYP	
PM5-A690B48V	468 nm	BLUE	SMOKED	8-48 VAC/VDC	400	120
PM5-A690G48V	515 nm	GREEN	SMOKED	8-48 VAC/VDC	800	120
PM5-A690R48V	600 nm	RED	SMOKED	8-48 VAC/VDC	600	120
PM5-A690Y48V	585 nm	YELLOW	SMOKED	8-48 VAC/VDC	600	120

LED Assy. No.	Chromaticity Coordinates	Emitted Color	Lens Appearance	Electro-Optical Data @ 20mA		Viewing Angle
				Vf (VDC/VAC)	Iv (mcd)	
				TYP	TYP	
PM5-A690W48V	X=0.45 Y=0.42	WHITE	SMOKED	8-48 VAC/VDC	1200	120

ABSOLUTE MAXIMUM RATINGS (Ta = 25°C)

MAXIMUM POWER DISSIPATION _____ 480 mW
 OPERATING TEMPERATURE RANGE _____ -40°C ~ 80°C
 STORAGE TEMPERATURE _____ -40°C ~ 100°C

STANDARD TOLERANCE (UNLESS OTHERWISE SPECIFIED)		 BIVAR [®] 4 THOMAS, IRVINE, CA. 92618 TEL: (949) 951-8808 FAX: (949) 951-3974	
DECIMALS	ANGULAR		
		TITLE: WATER TIGHT PANEL MOUNT LED ASSEMBLY, 9.6MM MOUNTING	
		DESIGNED: Brian Oliver	DATE: 04/16/12
CHECKED: T. Yin		DATE: 04/16/12	CAGE CODE : 32559 SHEET # 2 OF 2 <small>CAD GENERATED DOCUMENT, DO NOT MEASURE DRAWING.</small>



REV.	DESCRIPTION	DATE	APPROVED
	SEE SHEET #1		

LED Assy. No.	Peak Wave Length λ_p (nm)	Emitted Color	Lens Appearance	Electro-Optical Data @ 10mA		Viewing Angle
				Vf (VDC/VAC)	Iv (mcd)	
				TYP	TYP	
PM5-A677B12V	465 nm	BLUE	SMOKED	12 VDC	400 mcd	120
PM5-A677B28V	465 nm	BLUE	SMOKED	24-28 VDC	400 mcd	120
PM5-A677G12V	515 nm	GREEN	SMOKED	12 VDC	800 mcd	120
PM5-A677G28V	515 nm	GREEN	SMOKED	24-28 VDC	800 mcd	120
PM5-A677R12V	630 nm	RED	SMOKED	12 VDC	600 mcd	120
PM5-A677R28V	630 nm	RED	SMOKED	24-28 VDC	600 mcd	120
PM5-A677Y12V	585 nm	YELLOW	SMOKED	12 VDC	600 mcd	120
PM5-A677Y28V	585 nm	YELLOW	SMOKED	24-28 VDC	600 mcd	120

LED Assy. No.	Chromaticity Coordinates	Emitted Color	Lens Appearance	Electro-Optical Data @ 20mA		Viewing Angle
				Vf (VDC/VAC)	Iv (mcd)	
				TYP	TYP	
PM5-A677W12V	X=0.31 Y=0.32	WHITE	SMOKED	12 VDC	1200	120
PM5-A677W28V	X=0.31 Y=0.33	WHITE	SMOKED	24-28 VDC	1200	120

ABSOLUTE MAXIMUM RATINGS (Ta = 25°C)

MAXIMUM POWER DISSIPATION _____ 700 mW
 OPERATING TEMPERATURE RANGE _____ -40°C ~ 80°C
 STORAGE TEMPERATURE _____ -40°C ~ 100°C

STANDARD TOLERANCE (UNLESS OTHERWISE SPECIFIED) DECIMALS ANGULAR		 BIVAR [®] 4 THOMAS, IRVINE, CA. 92618 TEL: (949) 951-8808 FAX: (949) 951-3974	
			
DESIGNED: Brian Oliver	DATE: 04/16/12	TITLE: IP-67 EMC PANEL MOUNT LED ASSEMBLY, 8.1MM MOUNTING	
CHECKED: T. Yin	DATE: 04/16/12	PART NO: PM5-A677XXXV	REVISION: A
		CAGE CODE : 32559	SHEET # 2 OF 2
CAD GENERATED DOCUMENT, DO NOT MEASURE DRAWING.			