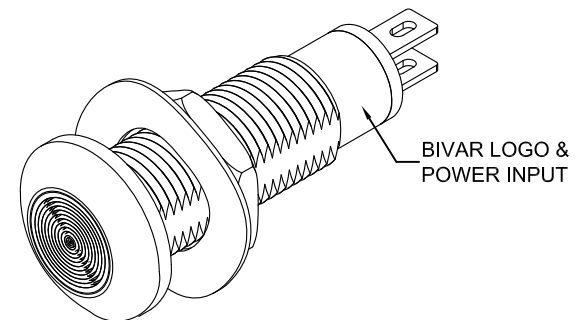
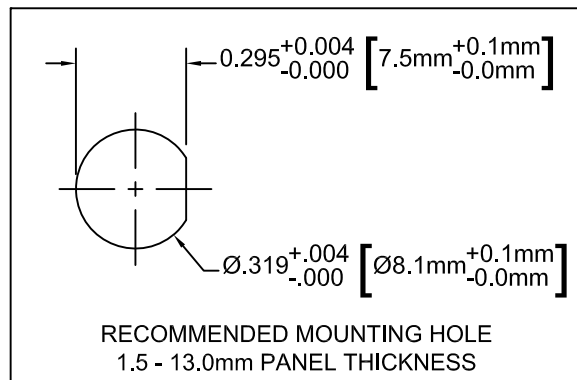
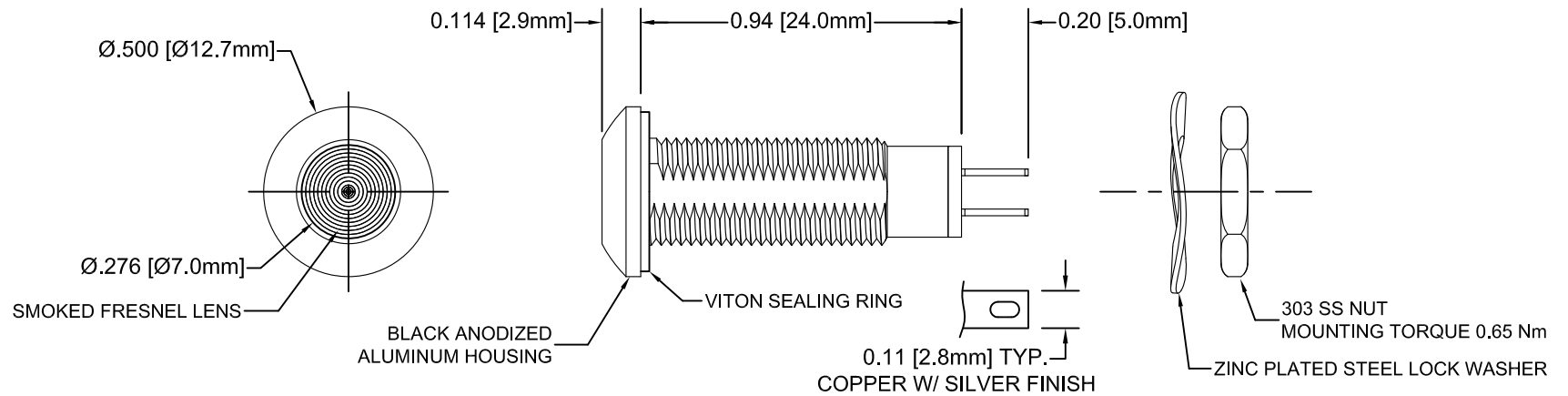



REV.	DESCRIPTION	DATE	APPROVED
B	Engineering Release	07/28/11	T. Y.



NOTES:

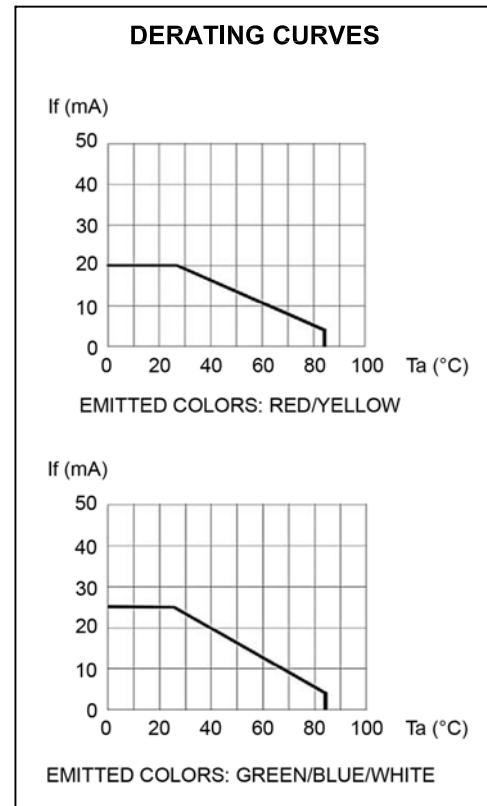
1. SEALED TO IP67 RATING
2. WIDE RANGE VOLTAGE INPUT
3. BI-POLAR OPERATION
4. ROHS COMPLIANT
5. MOUNTING HARDWARE SHIPPED NON-ASSEMBLED
6. INSERT VITON RING ON PANEL MOUNT ASSEMBLY PRIOR TO PANEL INSTALLATION

STANDARD TOLERANCE (UNLESS OTHERWISE SPECIFIED)		 BIVAR [®] 4 THOMAS, IRVINE, CA. 92618 TEL: (949) 951-8808 FAX: (949) 951-3974
DECIMALS	ANGULAR	
.X ± .1	X° ± 1°	TITLE: WATER TIGHT PANEL MOUNT LED ASSEMBLY, 8.1MM MOUNTING PART NO: PM5-A7XXX REVISION: B
.XX ± .02		
.XXX ± .010		
DESIGNED: Raffy Paje	DATE: 02/23/11	CAGE CODE : 32559 SHEET # 1 OF 2 <small>CAD GENERATED DOCUMENT, DO NOT MEASURE DRAWING.</small>
CHECKED: T. Yin	DATE: 02/23/11	

REV.	DESCRIPTION	DATE	APPROVED
	SEE SHEET #1		

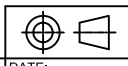
LED Assy. No.	Peak Wave Length λ_p (nm)	Emitted Color	Lens Appearance	Electro-Optical Data @ 20mA		Viewing Angle
				Vf (VDC/VAC)	Iv (mcd)	
				TYP	TYP	
PM5-A7R28V	630	RED	SMOKED	12-28 VAC/VDC	600	120
PM5-A7Y28V	585	YELLOW	SMOKED	12-28 VAC/VDC	600	120
PM5-A7G28V	515	GREEN	SMOKED	12-28 VAC/VDC	800	120
PM5-A7B28V	465	BLUE	SMOKED	12-28 VAC/VDC	400	120
PM5-A7R110AC	630	RED	SMOKED	110 VAC	600	120
PM5-A7Y110AC	585	YELLOW	SMOKED	110 VAC	600	120
PM5-A7G110AC	515	GREEN	SMOKED	110 VAC	800	120
PM5-A7B110AC	465	BLUE	SMOKED	110 VAC	400	120

LED Assy. No.	Chromaticity Coordinates	Emitted Color	Lens Appearance	Electro-Optical Data @ 20mA		Viewing Angle
				Vf (VDC/VAC)	Iv (mcd)	
				TYP	TYP	
PM5-A7W28V	X=0.31. Y=0.32	WHITE	SMOKED	12-28 VAC/VDC	1200	120
PM5-A7W110AC	X=0.31. Y=0.32	WHITE	SMOKED	110VAC	1200	120



ABSOLUTE MAXIMUM RATINGS (Ta = 25°C)

MAXIMUM POWER DISSIPATION _____ 825 mW
 OPERATING TEMPERATURE RANGE _____ -40°C ~ 95°C
 STORAGE TEMPERATURE _____ -40°C ~ 100°C

STANDARD TOLERANCE (UNLESS OTHERWISE SPECIFIED)		BIVAR [®] 4 THOMAS, IRVINE, CA. 92618 TEL: (949) 951-8808 FAX: (949) 951-3974	
DECIMALS	ANGULAR		
DESIGNED: Raffy Paje	DATE: 02/23/11	 TITLE: WATER TIGHT PANEL MOUNT LED ASSEMBLY, 8.1MM MOUNTING PART NO: PM5-A7XXX	
CHECKED: T. Yin	DATE: 02/23/11		
		REVISION: B	
		CAGE CODE : 32559	SHEET # 2 OF 2
CAD GENERATED DOCUMENT, DO NOT MEASURE DRAWING.			