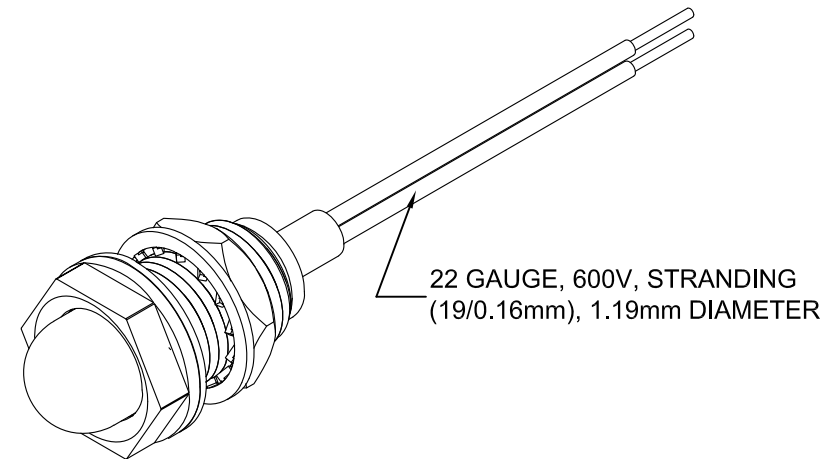
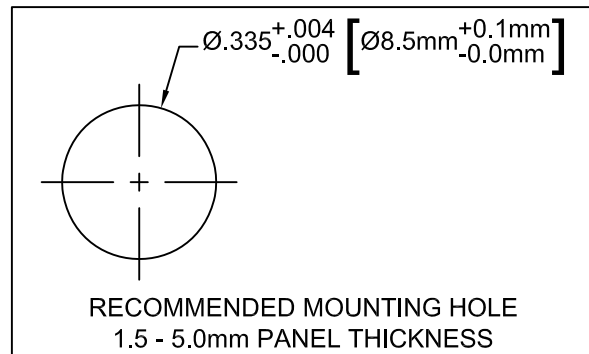
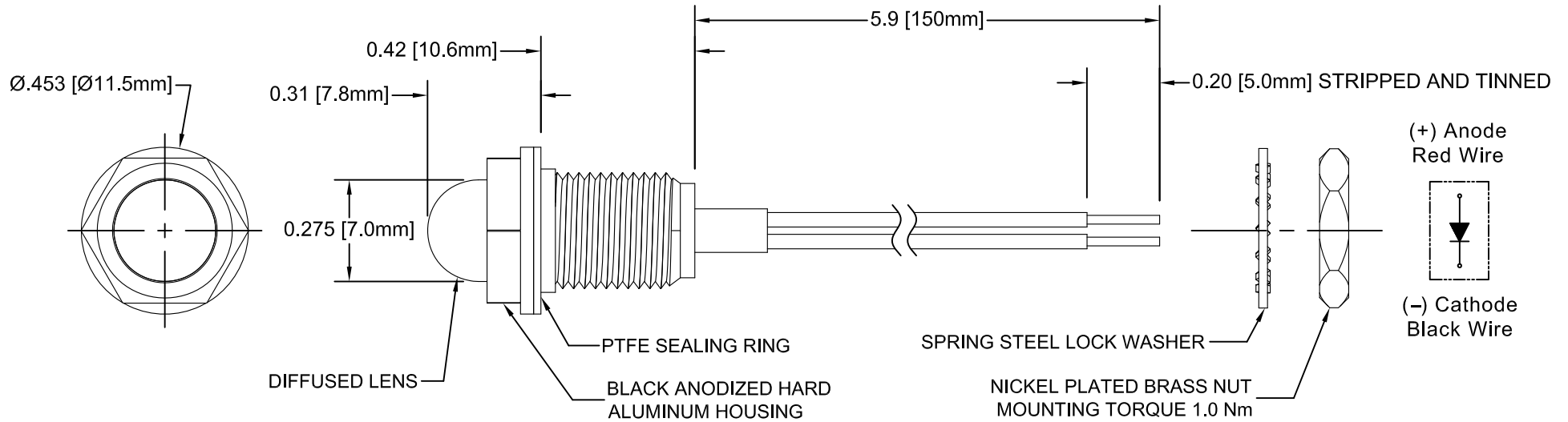


REV.	DESCRIPTION	DATE	APPROVED
B	Engineering Release	07/28/11	T. Y.
C	Added Wire Specs	02/13/13	T. Y.



NOTES:

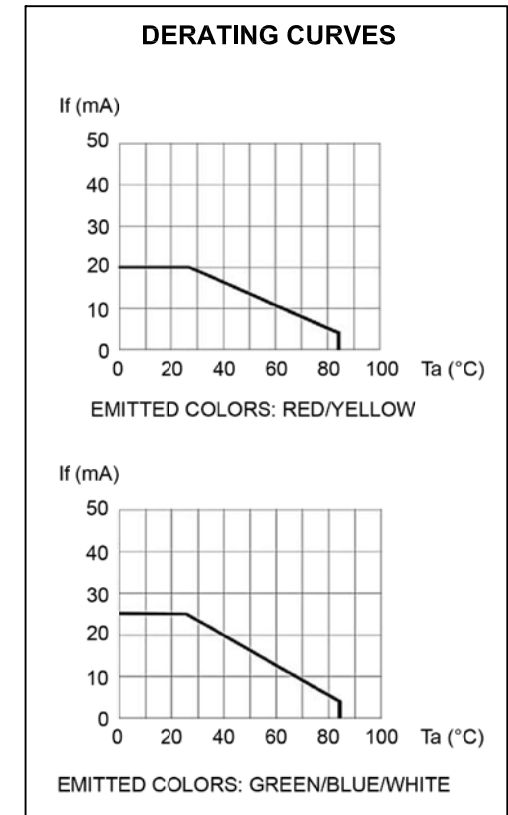
1. SEALED TO IP68 RATING
2. HEXAGON BEZEL
3. ROHS COMPLIANT
4. MOUNTING HARDWARE SHIPPED NON-ASSEMBLED
5. INSERT PTFE RING ON PANEL MOUNT ASSEMBLY PRIOR TO PANEL INSTALLATION

STANDARD TOLERANCE (UNLESS OTHERWISE SPECIFIED)		BIVAR®	
DECIMALS	ANGULAR	4 THOMAS, IRVINE, CA. 92618	
.X ± .1	X° ± 1°	TEL: (949) 951-8808 FAX: (949) 951-3974	
.XX ± .02		TITLE: WATER TIGHT PANEL MOUNT LED ASSEMBLY, 8.5MM MOUNTING	
.XXX ± .010		PART NO: PM5-AP7XXX	
DESIGNED: Raffy Paje	DATE: 02/23/11	REVISION: C	
CHECKED: T. Yin	DATE: 02/23/11	CAGE CODE : 32559	SHEET # 1 OF 2
CAD GENERATED DOCUMENT, DO NOT MEASURE DRAWING.			

REV.	DESCRIPTION	DATE	APPROVED
	SEE SHEET #1		


LED Assy. No.	Peak Wave Length λ_p (nm)	Emitted Color	Lens Appearance	Electro-Optical Data @ 20mA		Viewing Angle
				Vf (VDC)	Iv (mcd)	
				TYP	TYP	
PM5-AP7R2.0V	630	RED	RED DIFFUSED	2.0	600	160
PM5-AP7Y2.0V	585	YELLOW	YELLOW DIFFUSED	2.0	600	160
PM5-AP7G3.4V	515	GREEN	GREEN DIFFUSED	3.4	800	160
PM5-AP7B3.4V	465	BLUE	BLUE DIFFUSED	3.4	400	160

LED Assy. No.	Chromaticity Coordinates	Emitted Color	Lens Appearance	Electro-Optical Data @ 20mA		Viewing Angle
				Vf (VDC)	Iv (mcd)	
				TYP	TYP	
PM5-AP7W3.4V	X=0.31, Y=0.32	WHITE	WHITE DIFFUSED	3.4	1200	160



ABSOLUTE MAXIMUM RATINGS (Ta = 25°C)

MAXIMUM REVERSE VOLTAGE _____ 3V
 MAXIMUM POWER DISSIPATION _____ 75 mW
 OPERATING TEMPERATURE RANGE _____ -40°C ~ 95°C
 STORAGE TEMPERATURE _____ -40°C ~ 100°C

STANDARD TOLERANCE (UNLESS OTHERWISE SPECIFIED)		BIVAR [®] 4 THOMAS, IRVINE, CA. 92618 TEL: (949) 951-8808 FAX: (949) 951-3974	
DECIMALS	ANGULAR		
DESIGNED: Raffy Paje			
		DATE: 02/23/11	REVISION: C
CHECKED: T. Yin		DATE: 02/23/11	PART NO: PM5-AP7XXX CAGE CODE : 32559 SHEET # 2 OF 2 <small>CAD GENERATED DOCUMENT, DO NOT MEASURE DRAWING.</small>