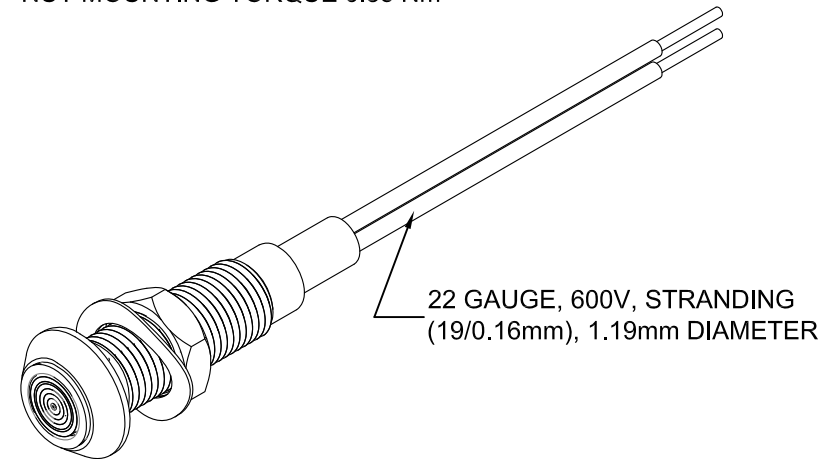
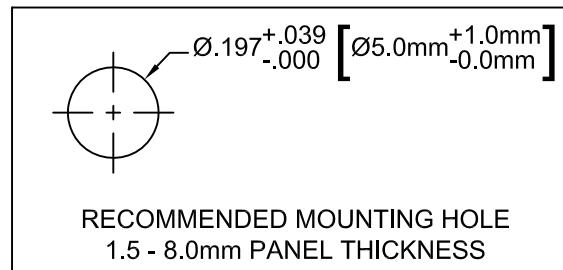
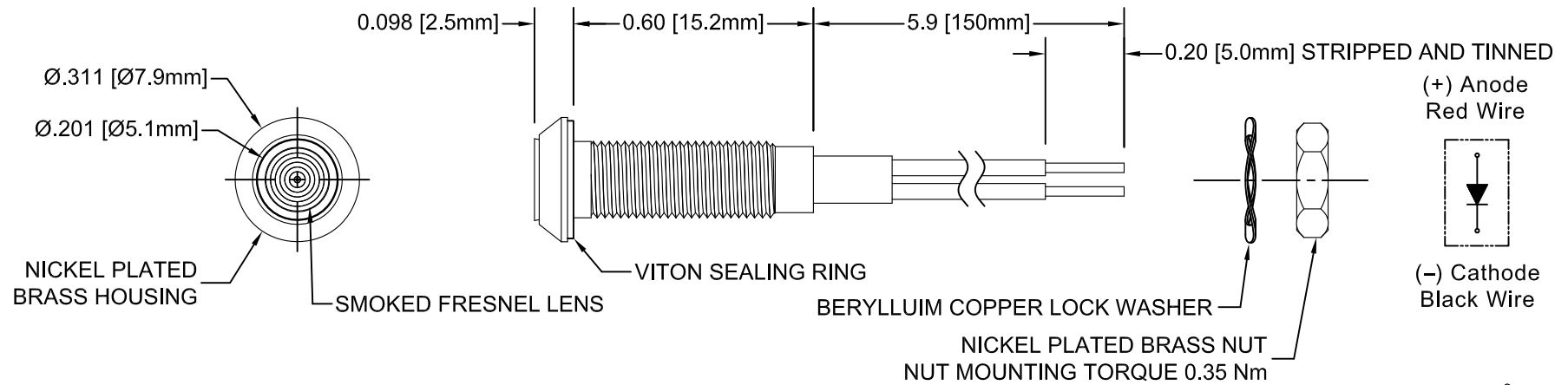

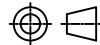


REV.	DESCRIPTION	DATE	APPROVED
B	Engineering Release	07/28/11	T. Y.
C	Added Wire Specs	02/13/13	T. Y.



NOTES:

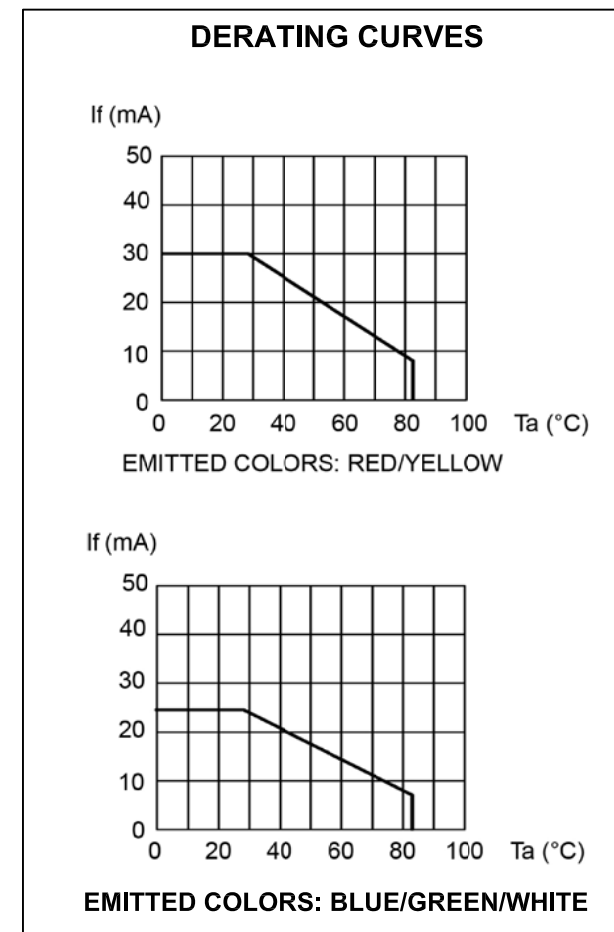
1. SEALED TO IP67 RATING
2. ROHS COMPLIANT
3. MOUNTING HARDWARE SHIPPED NON-ASSEMBLED
4. INSERT VITON RING ON PANEL MOUNT ASSEMBLY PRIOR TO PANEL INSTALLATION

STANDARD TOLERANCE (UNLESS OTHERWISE SPECIFIED)		 4 THOMAS, IRVINE, CA. 92618 TEL: (949) 951-8808 FAX: (949) 951-3974	
DECIMALS	ANGULAR		
.X ± .1	X° ± 1°		TITLE: WATER TIGHT PANEL MOUNT LED ASSEMBLY, 5MM MOUNTING
.XX ± .02			
.XXX ± .010			
DESIGNED: Raffy Paje	DATE: 02/23/11	PART NO: PM5-B5XXX	REVISION: C
CHECKED: T. Yin	DATE: 02/23/11	CAGE CODE : 32559	SHEET # 1 OF 2
CAD GENERATED DOCUMENT, DO NOT MEASURE DRAWING.			

REV.	DESCRIPTION	DATE	APPROVED
	SEE SHEET #1		

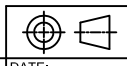
LED Assy. No.	Peak Wave Length λ_p (nm)	Emitted Color	Lens Appearance	Abs. Max. Rating	Electro-Optical Data @ 20mA			Viewing Angle
				Vr (VDC)	Vf (VDC)	Iv (mcd)		
				MAX	TYP	TYP		
PM5-B5R2.0V	660	RED	SMOKED	3	2.0	39	120	
PM5-B5Y2.0V	585	YELLOW	SMOKED	3	2.0	87	120	
PM5-B5G3.4V	525	GREEN	SMOKED	3	3.4	576	120	
PM5-B5B3.4V	470	BLUE	SMOKED	3	3.4	128	120	
PM5-B5R28V	660	RED	SMOKED	75	24-28	39	120	
PM5-B5Y28V	585	YELLOW	SMOKED	75	24-28	87	120	
PM5-B5G28V	525	GREEN	SMOKED	75	24-28	576	120	
PM5-B5B28V	470	BLUE	SMOKED	75	24-28	128	120	

LED Assy. No.	Chromaticity Coordinates	Emitted Color	Lens Appearance	Reverse Voltage	Electro-Optical Data @ 20mA			Viewing Angle
				Vr (VDC)	Vf (VDC)	Iv (mcd)		
				MAX	TYP	TYP		
PM5-B5W3.4V	X=.29, Y=.30	WHITE	SMOKED	3	3.4	414	120	
PM5-B5W28V	X=.29, Y=.30	WHITE	SMOKED	75	24-28	414	120	



ABSOLUTE MAXIMUM RATINGS (Ta = 25°C)

MAXIMUM POWER DISSIPATION _____ 425 mW
 OPERATING TEMPERATURE RANGE _____ -30°C ~ 85°C
 STORAGE TEMPERATURE _____ -40°C ~ 85°C

STANDARD TOLERANCE (UNLESS OTHERWISE SPECIFIED)		BIVAR [®] 4 THOMAS, IRVINE, CA. 92618 TEL: (949) 951-8808 FAX: (949) 951-3974	
DECIMALS	ANGULAR		
DESIGNED: Raffy Paje		 TITLE: WATER TIGHT PANEL MOUNT LED ASSEMBLY, 5MM MOUNTING	
CHECKED: T. Yin		DATE: 02/23/11	PART NO: PM5-B5XXX CAGE CODE : 32559 SHEET # 2 OF 2
CAD GENERATED DOCUMENT. DO NOT MEASURE DRAWING.			