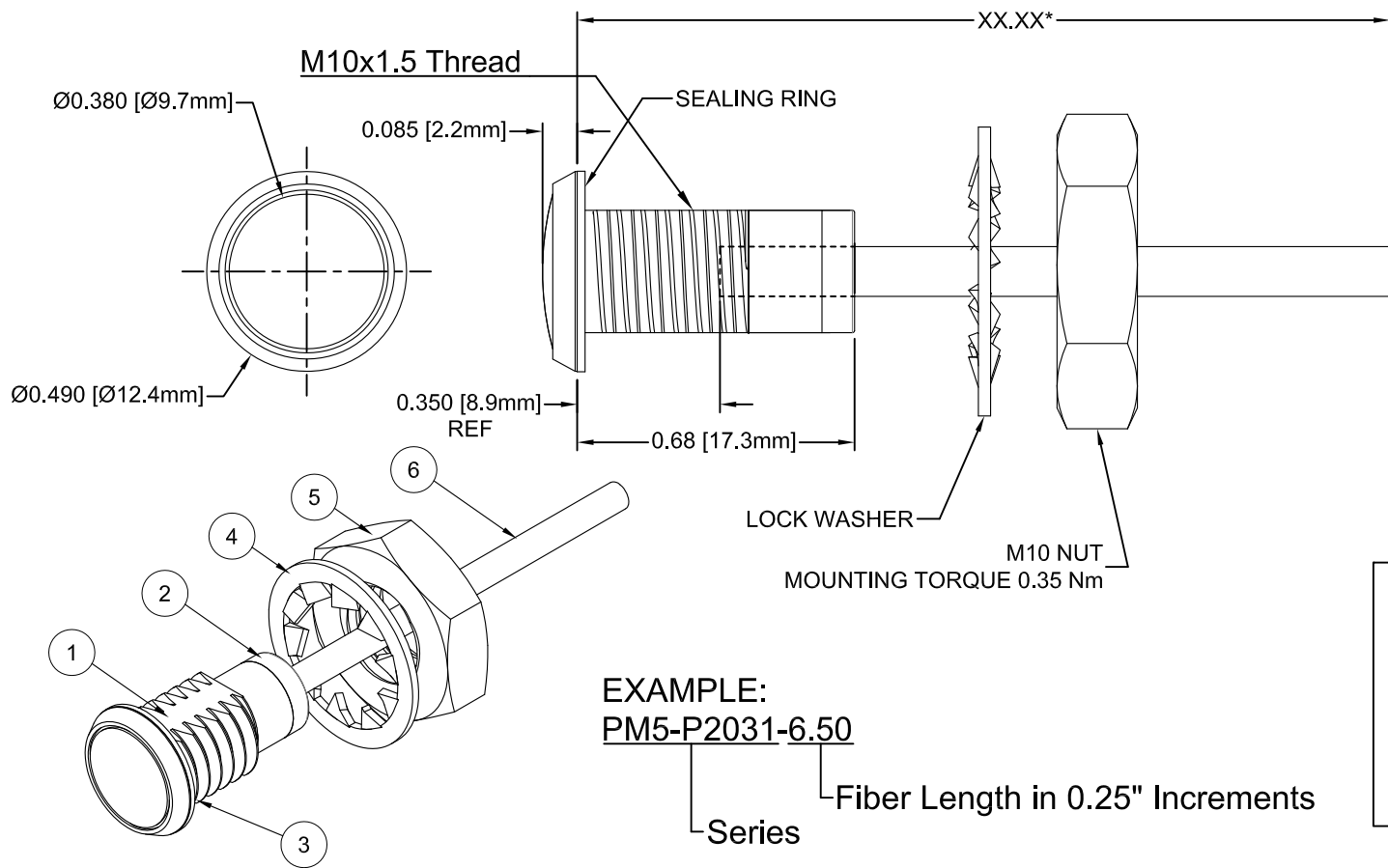
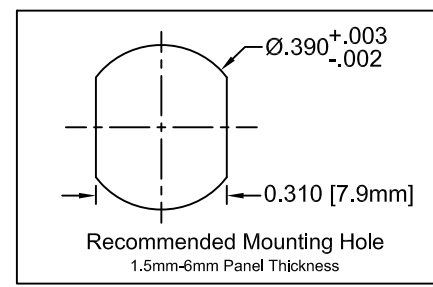


ITEM	Q'TY	PART NUMBER	PART DESCRIPTION
1	1	PM5-PL	5mm Polycarbonate Panel Mount Housing
2	1	PM5-FP31	3.1mm to 5mm Flexible Light Pipe Adapter
3	1	PM5-VS	5mm Sealing Ring
4	1	WASH-1008	10mm Internal Tooth Lock Washer
5	1	NUT-1003	10mm Thin Nut
6	1	FLPS2031-XX.X	2mm x 3.1mm Flexible Light Pipe

REV.	DESCRIPTION	DATE	APPROVED
B	Engineering Release	06/19/12	T. Y.
C	Updated Descriptions	03/21/13	T. Y.



*Length "XX.XX"	Tolerance
2.50" ~ 16.00"	±0.050"
16.25" ~ 40.00"	±0.15"
40.25" ~ 80.00"	±0.30"
80.25" ~ 500.0"	±0.5%



- NOTES:**
1. SEALED TO IP67 RATING
  2. ROHS COMPLIANT
  3. MOUNTING HARDWARE SHIPPED NON-ASSEMBLED
  4. INSERT SEALING RING ON PANEL MOUNT PRIOR TO PANEL INSERTION

STANDARD TOLERANCE ( UNLESS OTHERWISE SPECIFIED )		<b>BIVAR</b> <sup>®</sup> 4 THOMAS, IRVINE, CA. 92618 TEL: (949) 951-8808 FAX: (949) 951-3974	
DECIMALS	ANGULAR		
.X ±.1	X° ± 1°	<b>TITLE:</b> IP-67 Rated Panel Mount Flexible Light Pipe Indicator <b>PART NO:</b> PM5-P2031-XX.XX <b>REVISION:</b> C	
.XX ±.02			
.XXX ±.010			
DESIGNED: <b>Brian Oliver</b>	DATE: <b>04/12/12</b>	<b>CAGE CODE :</b> 32559	<b>SHEET #</b> 1 OF 1
CHECKED: <b>T. Yin</b>	DATE: <b>04/12/12</b>	CAD GENERATED DOCUMENT, DO NOT MEASURE DRAWING.	