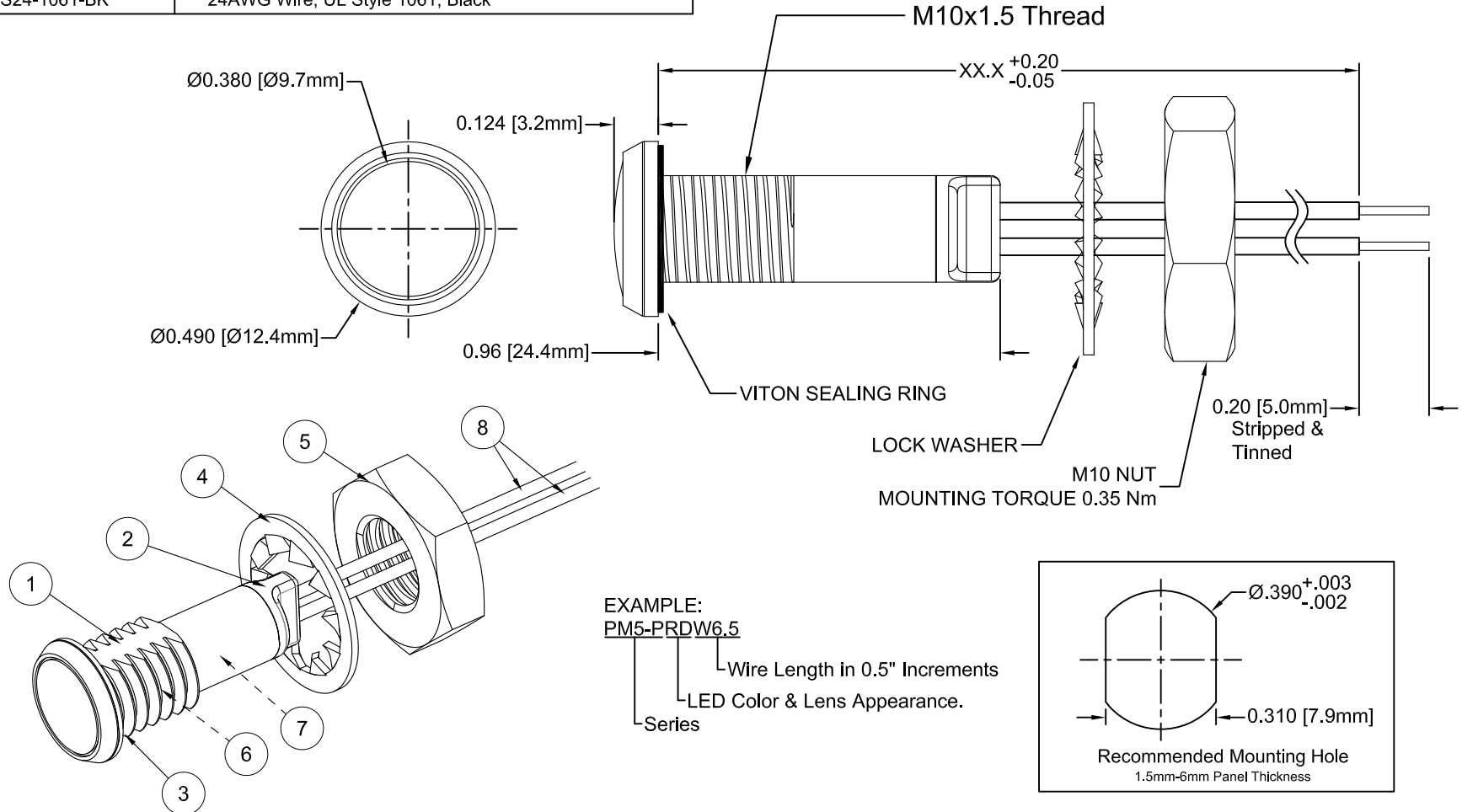


ITEM	Q'TY	PART NUMBER	PART DESCRIPTION
1	1	PM5-PE	5mm Polycarbonate Panel Mount Extended Housing
2	1	PM5-HP	5mm Panel Mount Wide Range Plug
3	1	PM5-VS	5mm Viton Sealing Ring
4	1	WASH-1008	10mm Internal Tooth Lock Washer
5	1	NUT-1003	10mm Thin Nut
6	1	5XX	5mm LED, SEE SHEET #2
7	1	PCBA-1081	8~48V Universal Power Board
8	2	BWS24-1061-BK	24AWG Wire, UL Style 1061, Black

REV.	DESCRIPTION	DATE	APPROVED
A	Engineering Release	04/12/12	T. Y.



- NOTES:**
1. SEALED TO IP67 RATING
 2. WIDE RANGE VOLTAGE INPUT, 8-48 VAC/VDC
 3. BI-POLAR OPERATION
 4. ROHS COMPLIANT
 5. MOUNTING HARDWARE SHIPPED NON-ASSEMBLED
 6. INSERT VITON RING ON PANEL MOUNT PRIOR TO PANEL INSERTION

STANDARD TOLERANCE (UNLESS OTHERWISE SPECIFIED)		BIVAR [®]	
DECIMALS	ANGULAR	4 THOMAS, IRVINE, CA. 92618	
.X ± .1	X° ± 1°	TEL: (949) 951-8808 FAX: (949) 951-3974	
.XX ± .02		TITLE: IP67 Rated Panel Mount Indicator w/ Wire	
.XXX ± .010		PART NO: PM5-PXXXWXX.X	REVISION: A
DESIGNED: Ty Yin	DATE: 04/12/12	CAGE CODE : 32559	SHEET # 1 OF 2
CHECKED: B. Oliver	DATE: 04/12/12	CAD GENERATED DOCUMENT, DO NOT MEASURE DRAWING.	



REV.	DESCRIPTION	DATE	APPROVED
	SEE SHEET #1		

Assembly Part Number	LED Part Number	Peak Wave Length λ_p (nm)	Emitted Color	Lens Appearance	Electro-Optical Data @ 20mA		Viewing Angle
					Typ Vf (VAC/VDC)	LED Iv (mcd)	
					TYP	TYP	
PM5-PADWXX.X	5AD	605	AMBER	WHITE DIFFUSED	8-48	25	120
PM5-PBWDWXX.X	5BWD0.345	430	BLUE	WHITE DIFFUSED	8-48	200	120
PM5-PGDWXX.X	5SGD	568	GREEN	WHITE DIFFUSED	8-48	30	120
PM5-PHDWXX.X	5HD	625	HE RED	WHITE DIFFUSED	8-48	25	120
PM5-PPGDWXX.X	5PGD	555	PURE GREEN	WHITE DIFFUSED	8-48	10	120
PM5-PRDWXX.X	5SRD	645	RED	WHITE DIFFUSED	8-48	40	120
PM5-PYDWXX.X	5SYD	590	YELLOW	WHITE DIFFUSED	8-48	300	120

Assembly Part Number	LED Part Number	Color Temperature	Emitted Color	Lens Appearance	Electro-Optical Data @ 20mA		Viewing Angle
					Typ Vf (VAC/VDC)	LED Iv (mcd)	
					TYP	TYP	
PM5-PWDWXX.X	5UWD0.660N	5000K	NEUTRAL WHITE	WHITE DIFFUSED	8-48	600	120

ABSOLUTE MAXIMUM RATINGS (Ta = 25°C)

MAXIMUM POWER DISSIPATION _____ 400 mW
 OPERATING TEMPERATURE RANGE _____ -30°C ~ 85°C
 STORAGE TEMPERATURE _____ -40°C ~ 85°C

STANDARD TOLERANCE (UNLESS OTHERWISE SPECIFIED)		 4 THOMAS, IRVINE, CA. 92618 TEL: (949) 951-8808 FAX: (949) 951-3974	
DECIMALS	ANGULAR		
		TITLE: IP67 Rated Panel Mount Indicator w/ Wire	
		DESIGNED: Ty Yin	DATE: 04/12/12
CHECKED: B. Oliver		DATE: 04/12/12	CAGE CODE : 32559 SHEET # 2 OF 2
CAD GENERATED DOCUMENT, DO NOT MEASURE DRAWING.			