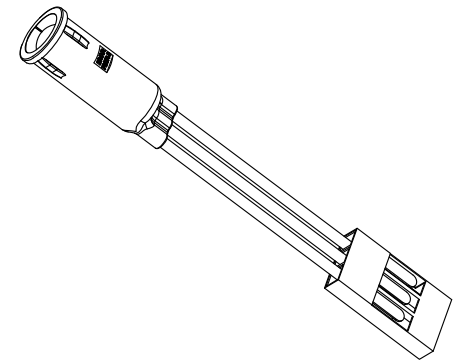
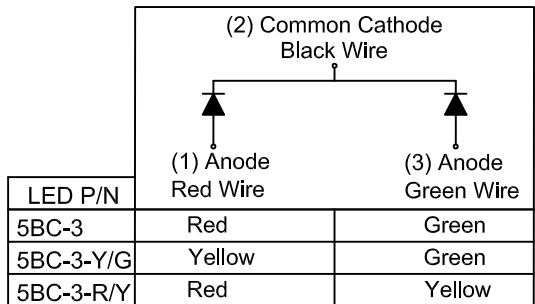
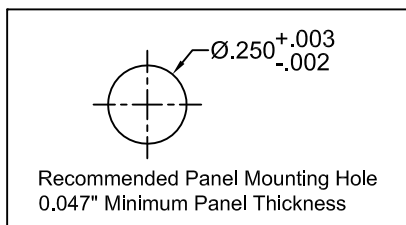
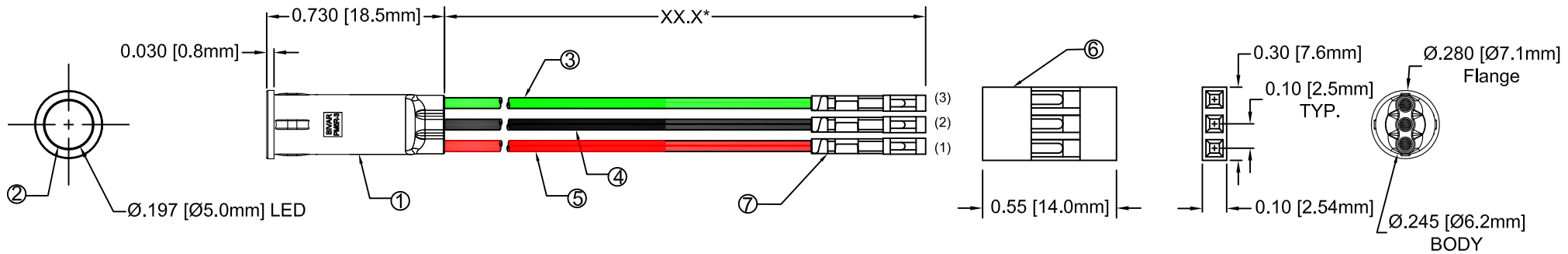


ITEM	Q'TY	PART NUMBER	PART DESCRIPTION
1	1	PM5R-3	LED Holder, 3-Lead Panel Mount, Press Fit, (5mm)
2	1	5BC-3-XX	T1 ¼ (5mm) 3-Lead Shouldered LED, See Page 2.
3	1	BWS24-1061-GN	24AWG Wire Lead U.L. 1061, Green
4	1	BWS24-1061-BK	24AWG Wire Lead U.L. 1061, Black
5	1	BWS24-1061-RD	24AWG Wire Lead U.L. 1061, Red
6	1	2665S030000	Leoco 2665 Series 2.54mm (100") Crimp Type Socket, 1X
7	3	2653TPB0001	Leoco Terminal# 2653TPB0001 (Reel) 2653TPB00A1(Bulk)

REV.	DESCRIPTION	DATE	APPROVED
A	Engineering Release	12/02/08	T. Y.
B	Updated 5BC-3 LED on Polarity Diagram	09/01/09	T. Y.

Note: Connector Shipped Non-Assembled in Separate Bag



ABSOLUTE MAXIMUM RATINGS (Ta = 25°C)

REVERSE VOLTAGE _____ 5V
 REVERSE CURRENT (VR=5V) _____ 100µA
 OPERATING TEMPERATURE RANGE _____ -25°C ~ 85°C
 STORAGE TEMPERATURE _____ -30°C ~ 100°C
 LEAD SOLDERING TEMPERATURE (1/16" FROM BODY) _____ 260°C for 5 Seconds


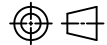
STANDARD TOLERANCE (UNLESS OTHERWISE SPECIFIED)		BIVAR®	
DECIMALS	ANGULAR	4 THOMAS, IRVINE, CA. 92618	
.X ±.1	X° ± 1°	TEL: (949) 951-8808 FAX: (949) 951-3974	
.XX ±.02		TITLE: T1 ¼ (5mm) PANEL MOUNT ASSEMBLY, 3-LEAD RECESSED	
.XXX ±.010		PART NO: PM5R3-XXWXX.XCC	
DESIGNED: Brian Oliver	DATE: 12/02/08	CAGE CODE: 32559	REVISION: B
CHECKED: F. Jensen	DATE: 12/02/08	SHEET # 1 OF 2	
CAD GENERATED DOCUMENT, DO NOT MEASURE DRAWING.			

REV.	DESCRIPTION	DATE	APPROVED
	SEE SHEET#1.		

Assembly Part No.	Emitted Colors	LED Part No.
PM5R3-BCWXX.XCC	RED/GREEN	5BC-3
PM5R3-YGWXX.XCC	YELLOW/GREEN	5BC-3-Y/G
PM5R3-RYWXX.XCC	RED/YELLOW	5BC-3-R/Y

PM5R3 - BC W12.5 CC
 Connector Assembly
 XX.X = Wire Length "XX.X*"
 Emitted Colors
 3-Lead Panel Mount Series, Recessed

NOTES:
 1. REFERENCE LED PRINTS FOR OPTICAL/ELECTRICAL SPECIFICATIONS

STANDARD TOLERANCE (UNLESS OTHERWISE SPECIFIED) ±10% ALL VALUES ANGULAR		 4 THOMAS, IRVINE, CA. 92618 TEL: (949) 951-8808 FAX: (949) 951-3974	
			TITLE: T-1 3/4 (5mm) Panel Mount Assembly
DESIGNED: Brian Oliver	DATE: 12/02/08	PART NO: PM5R3-XXWXX.XCC	REVISION: B
CHECKED: F. Jensen	DATE: 12/02/08	CAGE CODE : 32559	SHEET # 2 OF 2
CAD GENERATED DOCUMENT. DO NOT MEASURE DRAWING.			