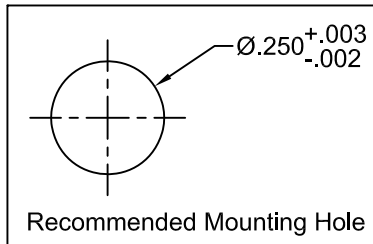
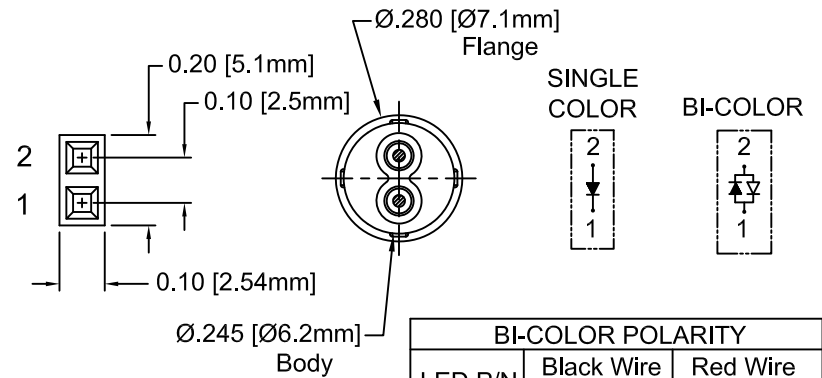
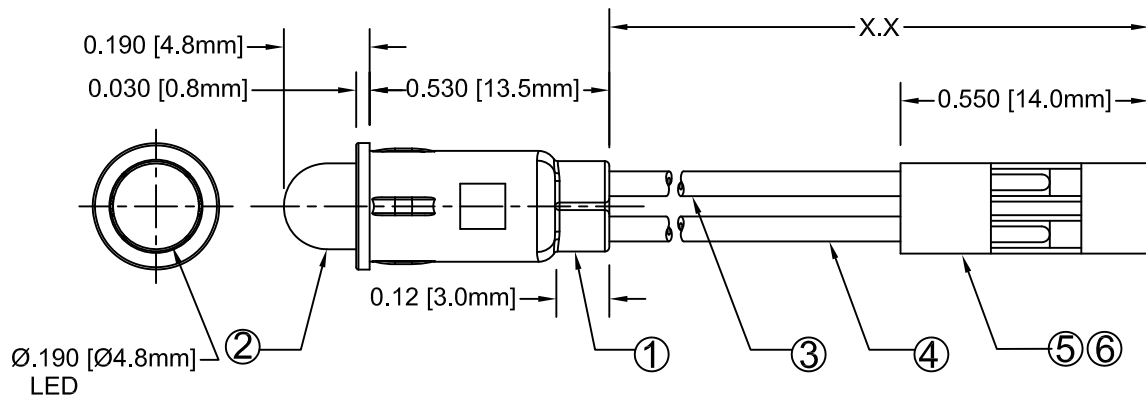
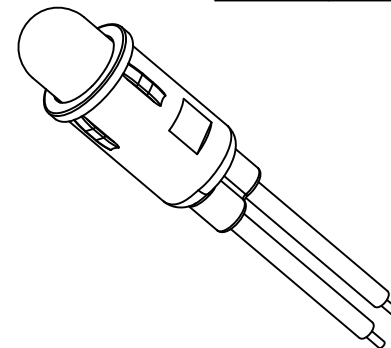


ITEM	Q'TY	PART NUMBER	PART DESCRIPTION
1	1	PM5	LED Holder, Panel Mount, Press Fit, (5mm)
2	1	5XXX	T-1¼ (5mm) Non-Flange LED, See Page 2.
3	1	BWS24-1007-RD	24AWG Wire Lead U.L. 1007, Red
4	1	BWS24-1007-BK	24AWG Wire Lead U.L. 1007, Black
5	1	2665S020000	Leoco 2665 Series 2.54 (.100") Crimp Type Socket, 1x
6	2	2653TPB0001	Leoco Terminal# 2653TPB0001 (Reel), 2653TPB00A1 (Bulk)

REV.	DESCRIPTION	DATE	APPROVED
C	Added 5XXXL Specs	06/25/09	T. Y.
D	Updated 5XXXL Specs	06/26/09	T. Y.
E	Added PM5BWCWX.X-CC Specs	08/14/09	T. Y.
F	Added PM5UGCWX.X-CC Specs	08/19/09	T. Y.
G	Added 5BC-Y/G Specs	02/09/10	T. Y.



EXAMPLE:  
**PM5RDW6.5\*-CC**  
 Connector  
 Wire Length "X.X"  
 LED Color & Lens Appearance.  
 Series





## ABSOLUTE MAXIMUM RATINGS (Ta = 25°C)

REVERSE VOLTAGE	5V
REVERSE CURRENT (VR=5V)	100µA
OPERATING TEMPERATURE RANGE	-25°C ~ 85°C
STORAGE TEMPERATURE	-30°C ~ 100°C
LEAD SOLDERING TEMPERATURE (1/16" FROM BODY)	260°C for 5 Seconds

STANDARD TOLERANCE (UNLESS OTHERWISE SPECIFIED)		BIVAR®	
DECIMALS	ANGULAR	4 THOMAS, IRVINE, CA. 92618	
.X ± .1	X° ± 1°	TEL: (949) 951-8808 FAX: (949) 951-3974	
.XX ± .02		<b>TITLE:</b> T-1¼ (5mm) PANEL MOUNT ASSEMBLY	
.XXX ± .010		<b>PART NO:</b> PM5XXWX.X-CC	
DESIGNED: <b>Dan Beckman</b>	DATE: <b>06/28/07</b>	REVISION: <b>G</b>	
CHECKED: <b>T. Yin</b>	DATE: <b>06/28/07</b>	<b>CAGE CODE :</b> 32559 <b>SHEET #</b> 1 <b>OF</b> 2	
CAD GENERATED DOCUMENT, DO NOT MEASURE DRAWING.			

LED Assy. No.	Peak Wave Length $\lambda_p$ (nm)	Emitted Color	Lens Appearance	Electro-Optical Data @ 20mA				Viewing Angle $2\theta \frac{1}{2}$ (Deg)	LED P/N		
				If (mA)		Vf (V)				Iv (mcd)	
				MAX	TYP	MAX	TYP			MAX	TYP
PM5BWCWX.X-CC	430	BLUE	WATER CLEAR	25	4.0	4.5	30	20	5BWC		
PM5BWTWX.X-CC	430	BLUE	TINTED	25	4.0	4.5	30	20	5BWT		
PM5UBWC.6KWX.XCC	470	BLUE	WATER CLEAR	25	4.0	4.5	400	35	5UBWC-0.6K		
PM5GCWX.X-CC	568	GREEN	WATER CLEAR	30	2.1	2.8	40	35	5GC		
PM5GDWX.X-CC	568	GREEN	DIFFUSED	30	2.1	2.8	25	45	5GD		
PM5GTWX.X-CC	568	GREEN	TINTED	30	2.1	2.8	40	35	5GT		
PM5UGCWX.X-CC	570	ULTRA GREEN	WATER CLEAR	30	2.1	2.4	600	35	5UGC		
PM5YCW.X-CC	590	YELLOW	WATER CLEAR	30	2.0	2.8	40	35	5YC		
PM5YD.WX.X-CC	590	YELLOW	DIFFUSED	30	2.0	2.8	25	45	5YD		
PM5YTWX.X-CC	590	YELLOW	TINTED	30	2.0	2.8	40	35	5YT		
PM5ACWX.X-CC	605	AMBER	WATER CLEAR	30	2.0	2.8	40	35	5AC		
PM5ADWX.X-CC	605	AMBER	DIFFUSED	30	2.0	2.8	25	45	5AD		
PM5ATWX.X-CC	605	AMBER	TINTED	30	2.0	2.8	40	35	5AT		
PM5HCWX.X-CC	625	HE RED	WATER CLEAR	30	2.0	2.8	40	35	5HC		
PM5HDWX.X-CC	625	HE RED	DIFFUSED	30	2.0	2.8	25	45	5HD		
PM5HTWX.X-CC	625	HE RED	TINTED	30	2.0	2.8	40	35	5HT		
PM5RCWX.X-CC	700	RED	WATER CLEAR	20	2.1	2.8	2	35	5RC		
PM5RDWX.X-CC	700	RED	DIFFUSED	20	2.1	2.8	2	45	5RD		
PM5RTWX.X-CC	700	RED	TINTED	20	2.1	2.8	2	35	5RT		
PM5SRCWX.X-CC	645	SUPER RED	WATER CLEAR	30	1.7	2.4	60	35	5SRC		
PM5SRD.WX.X-CC	645	SUPER RED	DIFFUSED	30	1.7	2.4	40	45	5SRD		
PM5SRTWX.X-CC	645	SUPER RED	TINTED	30	1.7	2.4	60	35	5SRT		
PM5UWC.8KWX.XCC	X=.29 Y=.30	WHITE	WATER CLEAR	30	3.5	4.0	800	25	5UWC-0.8K		
PM5WC2.730WX.XCC	X=.26 Y=.27	WHITE	WATER CLEAR	35	3.5	4.2	2700	30	5WC2.730		
PM5BCWX.X-CC	625	HE RED	WHITE DIFFUSED	30	2.0	2.8	6	45	5BC		
	568	GREEN		30	2.1	2.8	8				
PM5BC-Y/GWX.X-CC	590	YELLOW	WHITE DIFFUSED	30	2.0	2.8	5	45	5BC-Y/G		
	568	GREEN		30	2.1	2.8	8				

LED Assy. No.	Peak Wave Length $\lambda_p$ (nm)	Emitted Color	Lens Appearance	Electro-Optical Data @ 2mA				Viewing Angle $2\theta \frac{1}{2}$ (Deg)	LED P/N		
				If (mA)		Vf (V)				Iv (mcd)	
				MAX	TYP	MAX	TYP			MAX	TYP
PM5BVDLWX.X-CC	430	BLUE	DIFFUSED	7	3.8	4.2	4	45	5BVDL		
PM5GDLWX.X-CC	568	GREEN	DIFFUSED	7	2.1	2.6	5	45	5GDL		
PM5YDLWX.X-CC	590	YELLOW	DIFFUSED	7	2.0	2.6	4	45	5YDL		
PM5HDLWX.X-CC	625	RED	DIFFUSED	7	2.0	2.6	5	45	5HDL		

STANDARD TOLERANCE ( UNLESS OTHERWISE SPECIFIED ) $\pm 10\%$ ALL VALUES		 <b>BIVAR</b> <sup>®</sup> 4 THOMAS, IRVINE, CA. 92618 TEL: (949) 951-8808 FAX: (949) 951-3974
ANGULAR $X^\circ \pm 5^\circ$		
		TITLE: T-1 3/4 (5mm) PANEL MOUNT ASSEMBLY
DESIGNED: <b>Dan Beckman</b>	DATE: <b>06/28/07</b>	PART NO: <b>PM5XXWX.X-CC</b>
CHECKED: <b>T. Yin</b>	DATE: <b>06/28/07</b>	CAGE CODE : 32559 SHEET # 2 OF 2
CAD GENERATED DOCUMENT, DO NOT MEASURE DRAWING.		