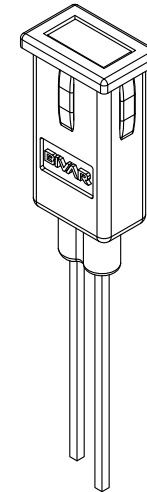
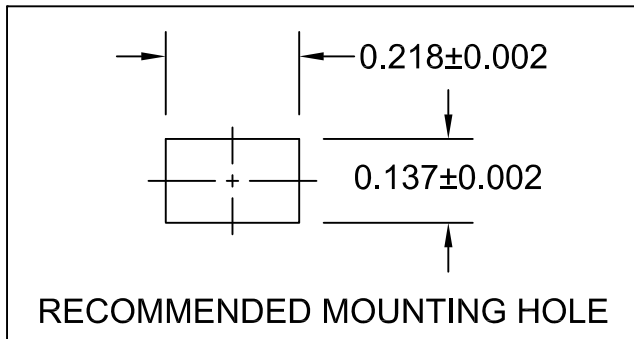
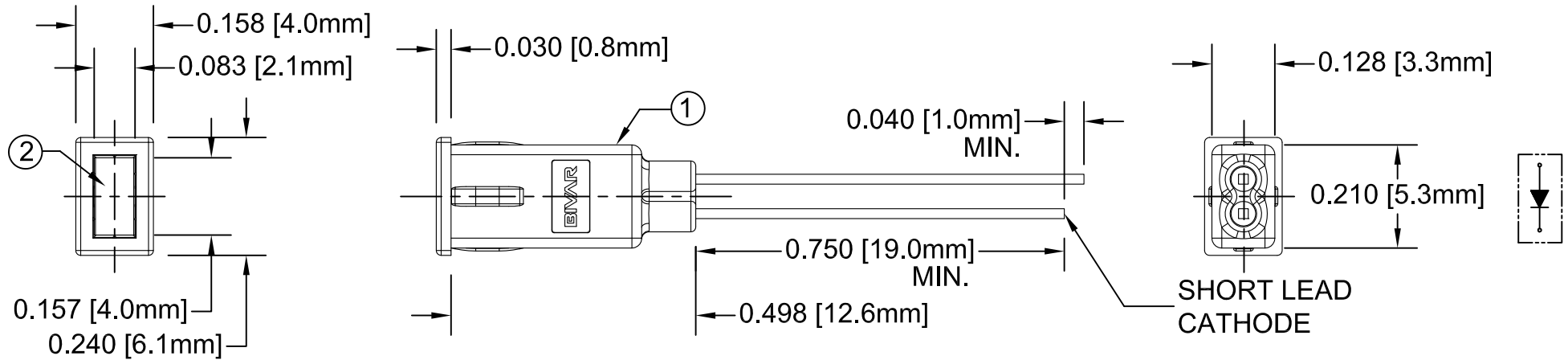


| ITEM | Q'TY | PART NUMBER | PART DESCRIPTION                               |
|------|------|-------------|--|
| 1    | 1    | PMR4        | Rectangular LED Holder, Panel Mount, Press Fit |
| 2    | 1    | R4XXX       | 2 X 4mm Rectangular LED, See Page 2.           |

| REV. | DESCRIPTION         | DATE     | APPROVED |
|------|---------------------|----------|----------|
| A    | Engineering Release | 07/02/09 | T. Y.    |
|      |                     |          |          |
|      |                     |          |          |
|      |                     |          |          |



## ABSOLUTE MAXIMUM RATINGS (Ta = 25°C)

|  |                     |
|--|---------------------|
| REVERSE VOLTAGE                              | 5V                  |
| REVERSE CURRENT ( VR=5V)                     | 100µA               |
| OPERATING TEMPERATURE RANGE                  | -25°C ~ 85°C        |
| STORAGE TEMPERATURE                          | -30°C ~ 100°C       |
| LEAD SOLDERING TEMPERATURE (1/16" FROM BODY) | 260°C for 5 Seconds |

| STANDARD TOLERANCE<br>( UNLESS OTHERWISE SPECIFIED ) |                          | BIVAR®  |                       |
|--|--------------------------|---|-----------------------|
| DECIMALS   | ANGULAR                  | 4 THOMAS, IRVINE, CA. 92618                                   |                       |
| .X ±.1   | X° ± 1°                  | TEL: (949) 951-8808 FAX: (949) 951-3974                       |                       |
| .XX ±.02   |                          | <b>TITLE:</b> 2 X 4mm RECTANGULAR LED<br>PANEL MOUNT ASSEMBLY |                       |
| .XXX ±.010   |                          | <b>PART NO:</b> PMR4XXX                                       | REVISION: A           |
| DESIGNED:<br><b>Raffy Paje</b>                       | DATE:<br><b>07/02/09</b> | <b>CAGE CODE :</b> 32559                                      | <b>SHEET # 1 OF 2</b> |
| CHECKED:<br><b>T. Yin</b>                            | DATE:<br><b>07/02/09</b> | CAD GENERATED DOCUMENT, DO NOT MEASURE DRAWING.               |                       |

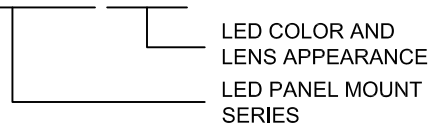
| REV. | DESCRIPTION  | DATE | APPROVED |
|------|--------------|------|----------|
|      | SEE SHEET #1 |      |          |
|      |              |      |          |
|      |              |      |          |
|      |              |      |          |

### AVAILABLE CONFIGURATIONS

| Assy P/N   | Emitted Color | Peak Wave Length<br>$\lambda_p$ (nm) | Lens Appearance | Absolute Max. Ratings |         |              | Vf (V) |     | Iv (mcd) | Viewing Angle<br>2 $\theta_{1/2}$<br>(Deg) | LED P/N |
|--|---------------|--------------------------------------|-----------------|-----------------------|---------|--------------|--------|-----|----------|--|---------|
|  |               |                                      |                 | Pd (mW)               | If (mA) | Peak If (mA) | TYP    | MAX | TYP      |  |         |
| <b>STANDARD SINGLE COLOR LED ASSEMBLIES (20mA)</b> |               |                                      |                 |                       |         |              |        |     |          |  |         |
| PMR4AD   | AMBER         | 605                                  | DIFFUSED        | 80                    | 30      | 150          | 2.0    | 2.8 | 6        | 120  | R4AD    |
| PMR4BWD  | BLUE          | 430                                  |                 | 150                   | 25      | 70           | 4.0    | 4.5 | 6        | 120  | R4BWD   |
| PMR4GD   | GREEN         | 568                                  |                 | 80                    | 30      | 150          | 2.1    | 2.8 | 8        | 120  | R4GD    |
| PMR4HD   | HE RED        | 625                                  |                 | 80                    | 30      | 150          | 2.0    | 2.6 | 8        | 120  | R4HD    |
| PMR4PGD  | PURE GREEN    | 555                                  |                 | 80                    | 30      | 150          | 2.2    | 2.8 | 2        | 120  | R4PGD   |
| PMR4RD   | RED           | 700                                  |                 | 45                    | 20      | 80           | 2.1    | 2.6 | 0.4      | 120  | R4RD    |
| PMR4YD   | YELLOW        | 590                                  |                 | 85                    | 30      | 150          | 2.0    | 2.6 | 6        | 120  | R4YD    |

### PART NUMBER DESIGNATION

P M R 4 G D



**NOTES:**

1. ADDITIONAL LED OPTICAL / ELECTRICAL DATA AVAILABLE @ WWW.BIVAR.COM

|   |  |  |  |  |  |
|---|--|--|--|--|--|
| STANDARD TOLERANCE<br>( UNLESS OTHERWISE SPECIFIED )<br>DECIMALS                      ANGULAR |  | <b>BIVAR</b> <sup>®</sup><br>4 THOMAS, IRVINE, CA. 92618<br>TEL: (949) 951-8808    FAX: (949) 951-3974 |  |  |  |
| DESIGNED:<br><b>Raffy Paje</b>  |  | DATE:<br><b>07/02/09</b>   |  | TITLE: 2 X 4mm RECTANGULAR LED<br>PANEL MOUNT ASSEMBLY |  |
|   |  |  |  |  |  |
| CHECKED:<br><b>T. Yin</b>   |  | DATE:<br><b>07/02/09</b>   |  | PART NO:<br><b>PMR4XXX</b>                             |  |
|   |  |  |  | CAGE CODE : 32559    SHEET # 2 OF 2                    |  |
| CAD GENERATED DOCUMENT, DO NOT MEASURE DRAWING.   |  |  |  |  |  |