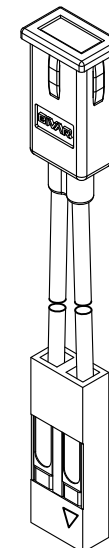
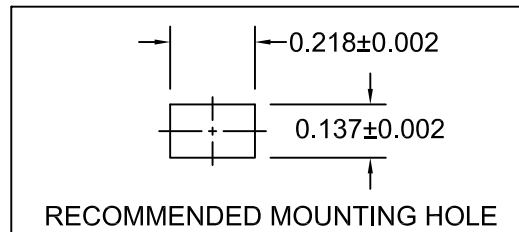
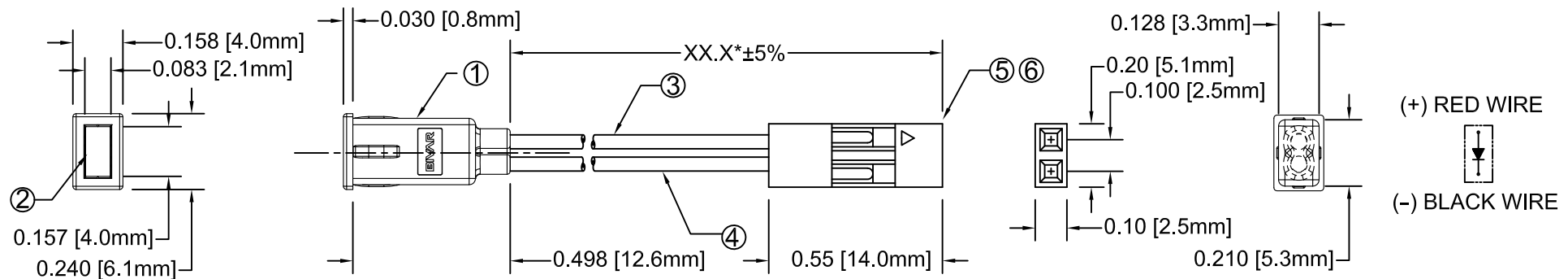


| ITEM | Q'TY | PART NUMBER | PART DESCRIPTION |
|------|------|---------------|---|
| 1 | 1 | PMR4 | Rectangular LED Holder, Panel Mount, Press Fit |
| 2 | 1 | R4XXX | 2 X 4mm Rectangular LED, See Page 2. |
| 3 | 1 | BWS24-1061-RD | 24AWG Wire Lead U.L. 1061, Red |
| 4 | 1 | BWS24-1061-BK | 24AWG Wire Lead U.L. 1061, Black |
| 5 | 1 | 2665S020000 | Leoco 2665 Series 2.54mm (100") Crimp Type Socket, 1X |
| 6 | 2 | 2653TPB0001 | Leoco Terminal# 2653TPB0001 (Reel) 2653TPB00A1(Bulk) |

| REV. | DESCRIPTION | DATE | APPROVED |
|------|---------------------|----------|----------|
| A | Engineering Release | 07/13/09 | T. Y. |
| | | | |
| | | | |
| | | | |



ABSOLUTE MAXIMUM RATINGS (Ta = 25°C)

| | |
|--|---------------------|
| REVERSE VOLTAGE | 5V |
| REVERSE CURRENT (VR=5V) | 100µA |
| OPERATING TEMPERATURE RANGE | -25°C ~ 85°C |
| STORAGE TEMPERATURE | -30°C ~ 100°C |
| LEAD SOLDERING TEMPERATURE (1/16" FROM BODY) | 260°C for 5 Seconds |

| STANDARD TOLERANCE (UNLESS OTHERWISE SPECIFIED) | | BIVAR® | |
|---|--------------------------|--|-----------------------|
| DECIMALS | ANGULAR | 4 THOMAS, IRVINE, CA. 92618 | |
| .X ±.1 | X° ± 1° | TEL: (949) 951-8808 FAX: (949) 951-3974 | |
| .XX ±.02 | | TITLE: 2 X 4mm RECTANGULAR LED PANEL MOUNT ASSEMBLY | |
| .XXX ±.010 | | PART NO: PMR4XXXWXX.X-CC | REVISION: A |
| DESIGNED: Raffy Paje | DATE: 07/13/09 | CAGE CODE : 32559 | SHEET # 1 OF 2 |
| CHECKED: T. Yin | DATE: 07/13/09 | CAD GENERATED DOCUMENT, DO NOT MEASURE DRAWING. | |

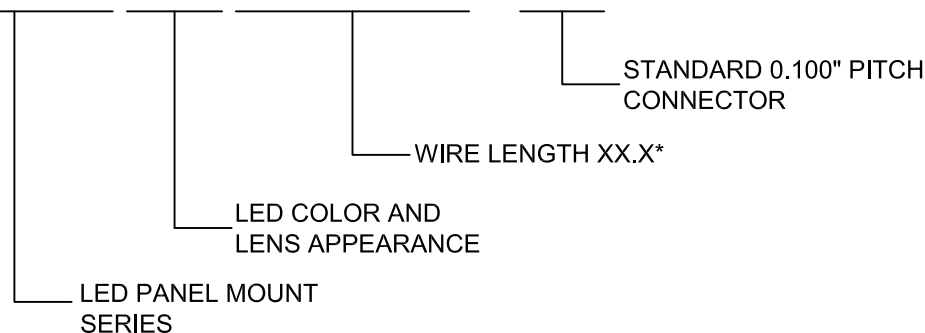
| REV. | DESCRIPTION | DATE | APPROVED |
|------|--------------|------|----------|
| | SEE SHEET #1 | | |
| | | | |
| | | | |
| | | | |

AVAILABLE CONFIGURATIONS

| Assy P/N | Emitted Color | Peak Wave Length λ_p (nm) | Lens Appearance | Absolute Max. Ratings | | | Vf (V) | | Iv (mcd) | Viewing Angle 2 $\theta^{1/2}$ (Deg) | LED P/N |
|--|---------------|--------------------------------------|-----------------|-----------------------|---------|--------------|--------|-----|----------|--|---------|
| | | | | Pd (mW) | If (mA) | Peak If (mA) | TYP | MAX | TYP | | |
| | | | | | | | | | | | |
| STANDARD SINGLE COLOR LED ASSEMBLIES (20mA) | | | | | | | | | | | |
| PMR4ADWXX.X-CC | AMBER | 605 | DIFFUSED | 80 | 30 | 150 | 2.0 | 2.8 | 6 | 120 | R4AD |
| PMR4BWDWXX.X-CC | BLUE | 430 | | 150 | 25 | 70 | 4.0 | 4.5 | 6 | 120 | R4BWD |
| PMR4GDWXX.X-CC | GREEN | 568 | | 80 | 30 | 150 | 2.1 | 2.8 | 8 | 120 | R4GD |
| PMR4HDWXX.X-CC | HE RED | 625 | | 80 | 30 | 150 | 2.0 | 2.6 | 8 | 120 | R4HD |
| PMR4PGDWXX.X-CC | PURE GREEN | 555 | | 80 | 30 | 150 | 2.2 | 2.8 | 2 | 120 | R4PGD |
| PMR4RDWXX.X-CC | RED | 700 | | 45 | 20 | 80 | 2.1 | 2.6 | 0.4 | 120 | R4RD |
| PMR4YDWXX.X-CC | YELLOW | 590 | | 85 | 30 | 150 | 2.0 | 2.6 | 6 | 120 | R4YD |

PART NUMBER DESIGNATION

P M R 4 G D W X X . X - C C



| | | | |
|--|---------|---|--|
| STANDARD TOLERANCE (UNLESS OTHERWISE SPECIFIED) | | BIVAR [®] 4 THOMAS, IRVINE, CA. 92618 TEL: (949) 951-8808 FAX: (949) 951-3974 | |
| DECIMALS | ANGULAR | | |
| DESIGNED: Raffy Paje | | DATE: 07/13/09 | TITLE: 2 X 4mm RECTANGULAR LED PANEL MOUNT ASSEMBLY |
| | | CHECKED: T. Yin | |
| PART NO: PMR4XXXWXX.X-CC | | REVISION: A | |
| CAGE CODE : 32559 | | SHEET # 2 OF 2 | |
| CAD GENERATED DOCUMENT, DO NOT MEASURE DRAWING. | | | |

NOTES:

1. ADDITIONAL LED OPTICAL / ELECTRICAL DATA AVAILABLE @ WWW.BIVAR.COM