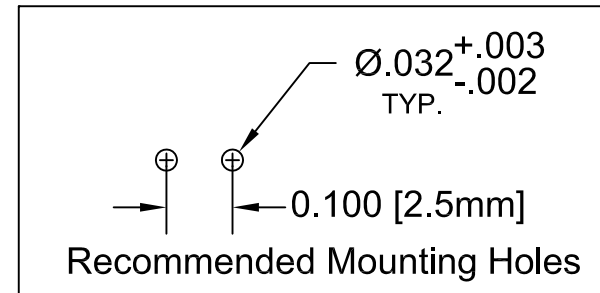
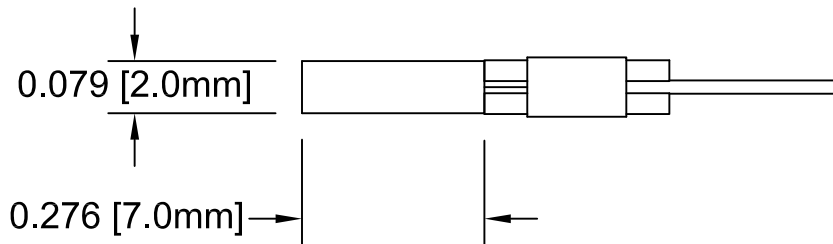
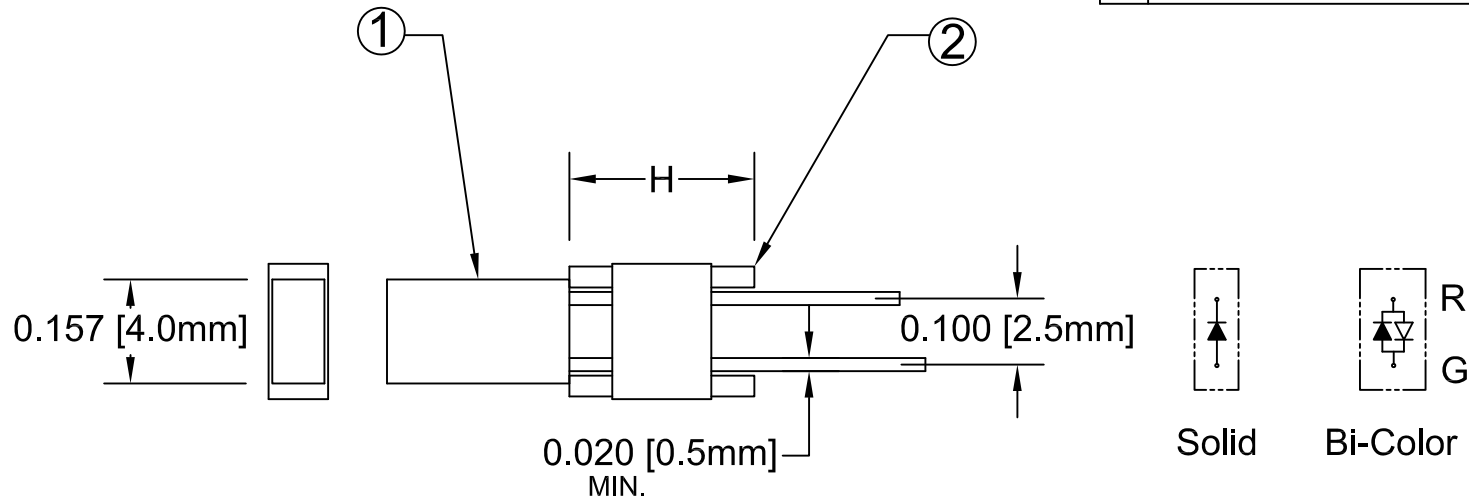


ITEM	Q'TY	PART NUMBER	PART DESCRIPTION
1	1	R4XX	2x4mm Rectangular LED, See Page 2
2	1	RL2-XXX	Molded Rectangular LED Mount

REV.	DESCRIPTION	DATE	APPROVED
A	Engineering Update w/o Changes	03/01/04	M. C.
B	Corrected LED P/N Typo On Page 2	05/06/13	T. Y.



EXAMPLE:

RL21604GD(T)

Series

Optional Tape and Reel
LED Color & Lens Appearance.
Omit R when ordering.

Height "H" *

* XXX = Height "H"
Available Range From 0.200" ~ 0.350"
In 0.010" Increments

ABSOLUTE MAXIMUM RATINGS (Ta=25°C)


REVERSE VOLTAGE _____ 5V

REVERSE CURRENT _____ 100µA

OPERATING TEMPERATURE RANGE _____ -20° C - 80° C


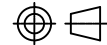
STORAGE TEMPERATURE _____ -20° C - 80° C

LEAD SOLDERING TEMPERATURE (1/16" FROM BODY) _____ 260° C FOR 5 SECONDS

STANDARD TOLERANCE (UNLESS OTHERWISE SPECIFIED)		 BIVAR [®] 4 THOMAS, IRVINE, CA. 92618 TEL: (949) 951-8808 FAX: (949) 951-3974	TITLE: MOLDED RECTANGULAR LED MOUNT ASSEMBLY	
DECIMALS	ANGULAR		PART NO: RL2XXX4XX	REVISION: B
.X ± .1	X° ± 1°			
.XX ± .02		CHECKED: D. Green	DATE: 03/01/04	
.XXX ± .010		CAGE CODE : 32559 SHEET # 1 OF 2		
		CAD GENERATED DOCUMENT, DO NOT MEASURE DRAWING.		

REV.	DESCRIPTION	DATE	APPROVED
	SEE SHEET#1.		

LED Assy. No.	Peak Wave Length λ_p (nm)	Emitted Color	Lens Appearance	Abs. Max. Rating	Electro-Optical Data @ 20mA			Viewing Angle $2\theta_{1/2}$ (Deg)	LED P/N	
					If (mA)	Vf (V)				Iv (mcd)
						TYP	MAX			TYP
RL2XXX4BWD	430	BLUE	DIFFUSED	30	4.0	4.5	4.5	120	R4BWD	
RL2XXX4GD	568	GREEN	DIFFUSED	30	2.2	2.6	7.0	120	R4GD	
RL2XXX4YD	585	YELLOW	DIFFUSED	30	2.1	2.6	6.0	120	R4YD	
RL2XXX4RD	655	RED	DIFFUSED	40	1.7	2.0	0.6	120	R4RD	
RL2XXX4BC	635	HE RED	DIFFUSED	30	2.0	2.6	5.5	125	R4BC	
	568	GREEN		30	2.2	2.6	5.5			

STANDARD TOLERANCE (UNLESS OTHERWISE SPECIFIED) $\pm 10\%$ ALL VALUES		ANGULAR $X^\circ \pm 5^\circ$		 BIVAR [®] 4 THOMAS, IRVINE, CA, 92618 TEL: (949) 951-8808 FAX: (949) 951-3974
		TITLE: MOLDED RECTANGULAR LED MOUNT ASSEMBLY		
DESIGNED: Ty Yin	DATE: 03/01/04	PART NO: RL2XXX4XX	REVISION: B	
CHECKED: D. Green	DATE: 03/01/04	CAGE CODE : 32559	SHEET # 2 OF 2	
CAD GENERATED DOCUMENT, DO NOT MEASURE DRAWING.				