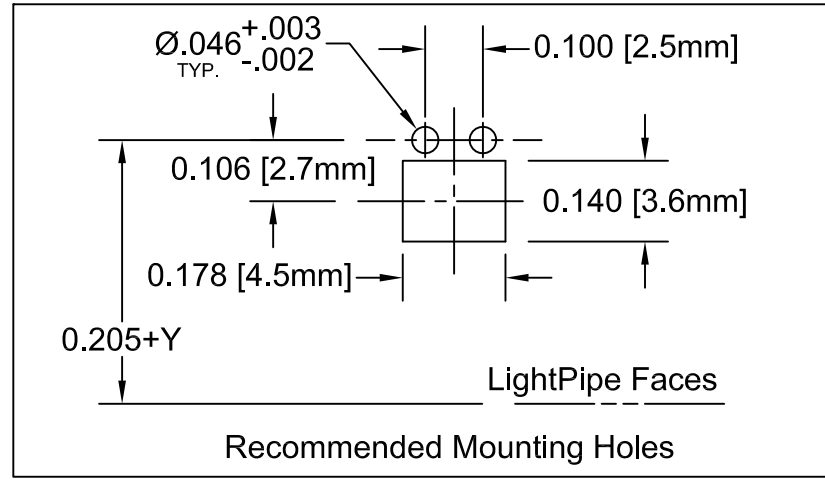
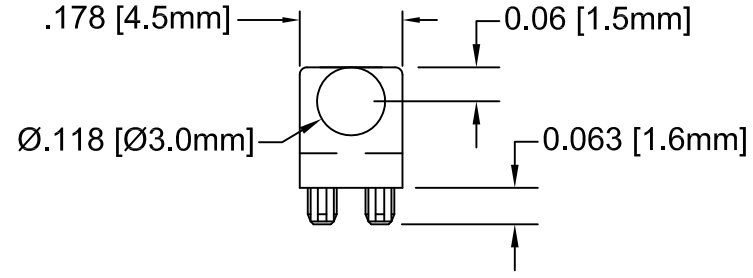
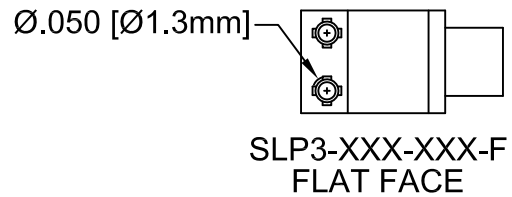
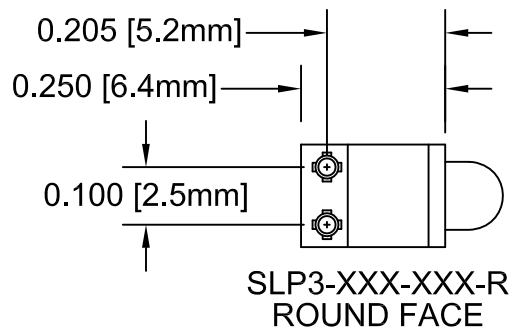
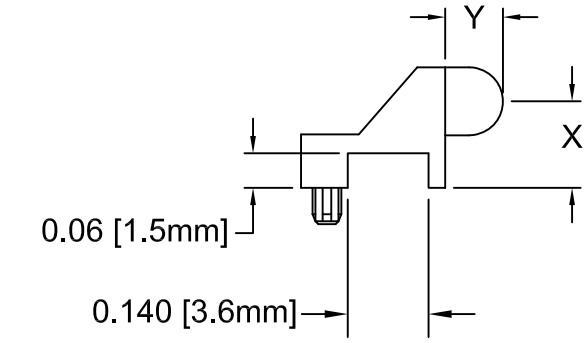


| REV. | DESCRIPTION | DATE | APPROVED |
|------|--------------------------------|----------|----------|
| B | Engineering Update w/o Changes | 03/09/04 | M. C. |
| C | Removed SLP3-150-XXX-X Spec. | 06/04/08 | M. C. |
| D | Title Revision | 03/06/12 | T. Y. |
| | | | |



SLP3-XXX-XXX-X (SLP3-200-100-X ~ SLP3-700-450-X)

R=Round Face, F=Flat Face
 Protrusion (Y), Available 0.100"~0.450" in 0.050" Increments.
 CenterLine (X), Available 0.200"~0.700" in 0.050" Increments.

- MATERIAL: POLYCARBONATE, 94V-HB, CLEAR. BIVAR MATERIAL CODE 49-CR. ENTEC HYLEX POLYCARBONATE P1017L CLEAR.
- GENERAL SPECIFICATIONS: BIVAR MOLDED COMPONENT SPECIFICATION BV00-E101.

| | | |
|--|--------------------------|---|
| STANDARD TOLERANCE (UNLESS OTHERWISE SPECIFIED) | | 4 THOMAS, IRVINE, CA. 92618 TEL: (949) 951-8808 FAX: (949) 951-3974 |
| DECIMALS | ANGULAR | |
| .X ±.1 | X° ± 1° | |
| .XX ±.01 | | TITLE: LIGHT PIPE 90° VARIABLE CENTERLINE |
| .XXX ±.005 | | |
| DESIGNED: Michael Chen | DATE: 04/14/03 | PART NO: SLP3-XXX-XXX-X REVISION: D |
| CHECKED: D. Green | DATE: 04/14/03 | |
| | | CAGE CODE : 32559 SHEET # 1 OF 1 <small>CAD GENERATED DOCUMENT, DO NOT MEASURE DRAWING.</small> |