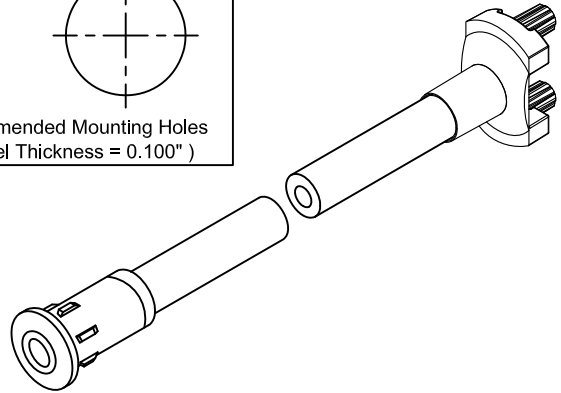
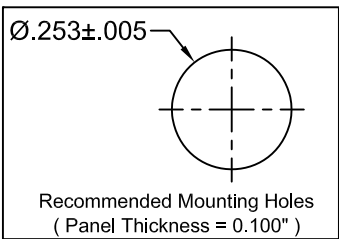
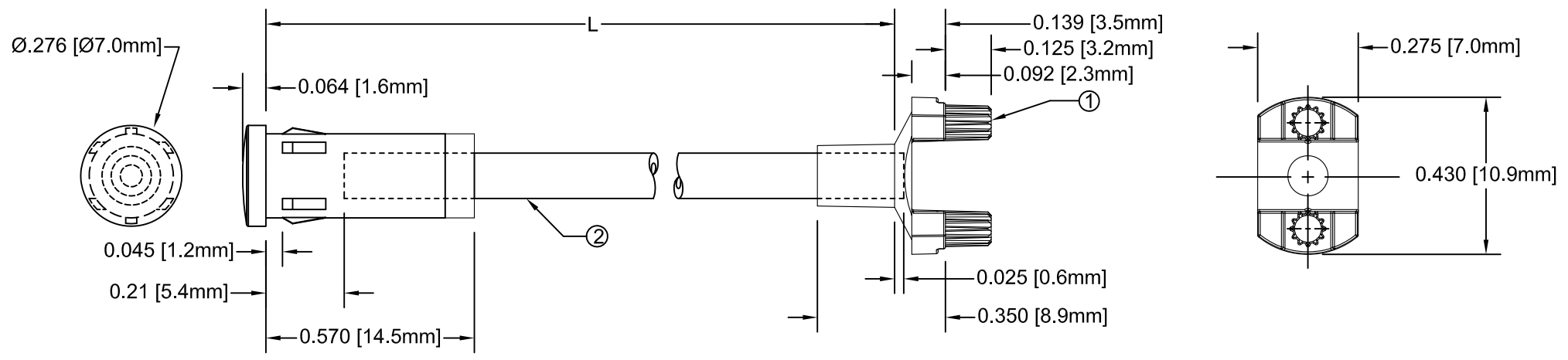


ITEM	Q'TY	PART NUMBER	PART DESCRIPTION
1	1	SMFLP2	Flexible Light Pipe 2mm Adapter, Surface Mount
2	1	FLP25-XX.X	Flexible Light Pipe Lens Cap Assembly, 2mm

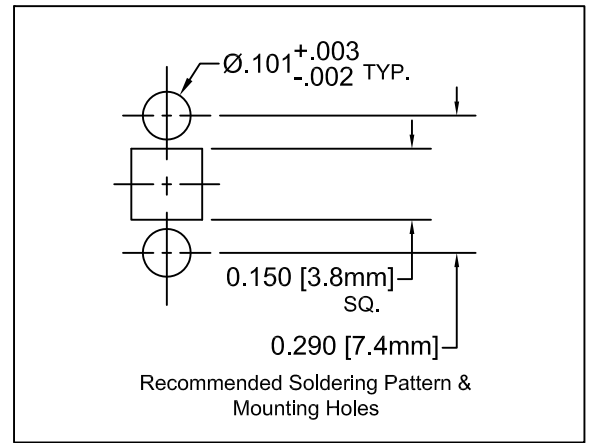
REV.	DESCRIPTION	DATE	APPROVED
A	Engineering Release	09/14/09	T. Y.
B	Updated Table For Length "L"	11/14/12	T. Y.

**NOTE: SMFLP2 ADAPTER SHIPPED NON-ASSEMBLED**



" L " *	Tolerance
1.0" ~ 16.0"	±0.050"
16.1" ~ 40.0"	±0.15"
40.1" ~ 80.0"	±0.30"
80.1" ~ 3,940.0"	±0.5%

\* Available in 0.1" increments only



STANDARD TOLERANCE ( UNLESS OTHERWISE SPECIFIED )			<b>4 THOMAS, IRVINE, CA. 92618</b> TEL: (949) 951-8808 FAX: (949) 951-3974	
DECIMALS	ANGULAR			
.X ±.1	X° ± 1°		<b>TITLE:</b> FLEXIBLE LIGHT PIPE ASSY, 7mm ROUND, SM ADAPTER	
.XX ±.02				<b>PART NO:</b> SMFLP25-X.X
.XXX ±.010				
<b>DESIGNED:</b> Brian Oliver	<b>DATE:</b> 09/14/09	<b>CAGE CODE:</b> 32559	<b>SHEET #</b> 1 <b>OF</b> 1	
<b>CHECKED:</b> Fred Jensen	<b>DATE:</b> 09/14/09	CAD GENERATED DOCUMENT, DO NOT MEASURE DRAWING.		