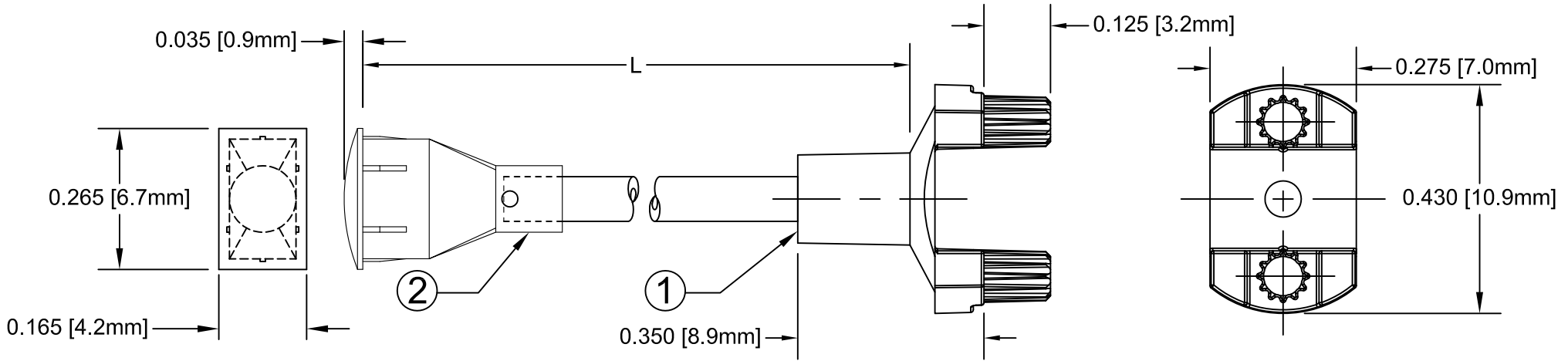


ITEM	Q'TY	PART NUMBER	PART DESCRIPTION
1	1	SMFLP	Adapter, Surface Mount Flexible Light Pipe
2	1	FLPR1-XX.X	Rectangular Lens Cap Assy.

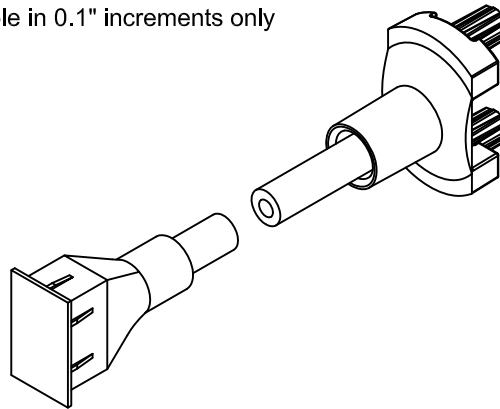
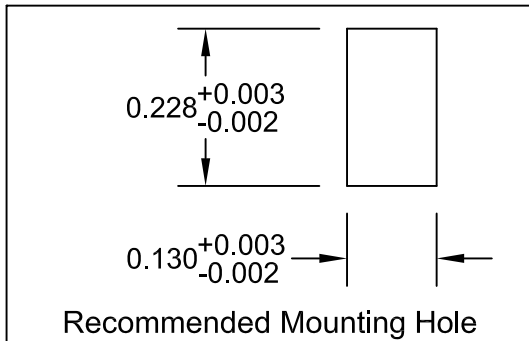
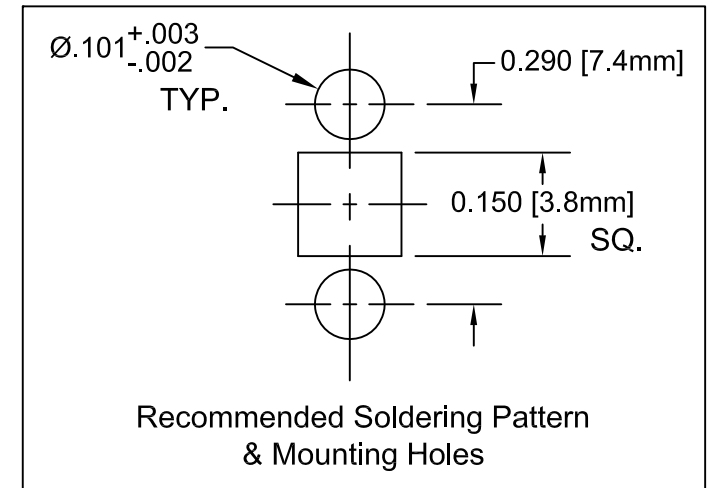
REV.	DESCRIPTION	DATE	APPROVED
A	Engineering Release.	03/01/05	M. C.
B	Added Shipping Note and Tolerance Table	04/17/06	M. C.
C	Updated Table For Length "L"	11/12/12	T. Y.

NOTE: SMFLP ADAPTER SHIPPED NON-ASSEMBLED



" L " *	Tolerance
1.0" ~ 16.0"	±0.050"
16.1" ~ 40.0"	±0.15"
40.1" ~ 80.0"	±0.30"
80.1" ~ 3,940.0"	±0.5%

* Available in 0.1" increments only



STANDARD TOLERANCE (UNLESS OTHERWISE SPECIFIED)		BIVAR [®] 4 THOMAS, IRVINE, CA. 92618 TEL: (949) 951-8808 FAX: (949) 951-3974				
DECIMALS	ANGULAR					
.X ±.1	X° ± 1°		TITLE: FLEXIBLE LIGHT-PIPE SMD LED ADAPTER ASSY			
.XX ±.02			DESIGNED: David Green	DATE: 03/01/05	PART NO: SMFLPR1-X.X	REVISION: C
.XXX ±.010			CHECKED: T. Yin	DATE: 03/01/05	CAGE CODE: 32559	SHEET # 1 OF 1
				CAD GENERATED DOCUMENT, DO NOT MEASURE DRAWING.		