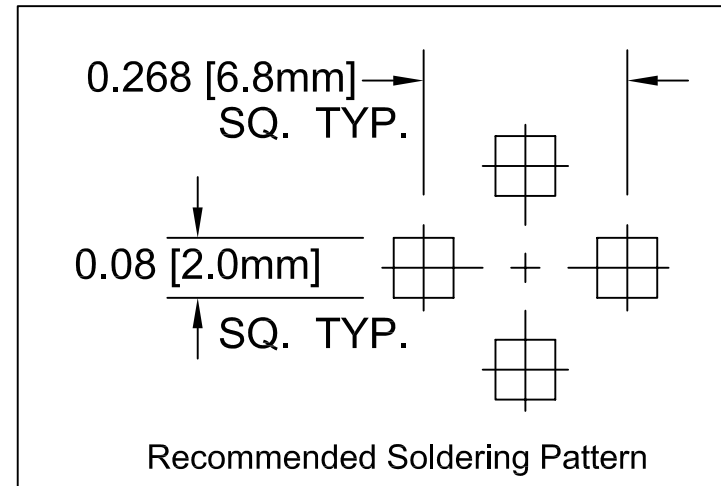
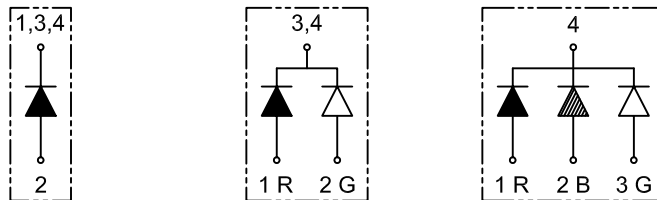
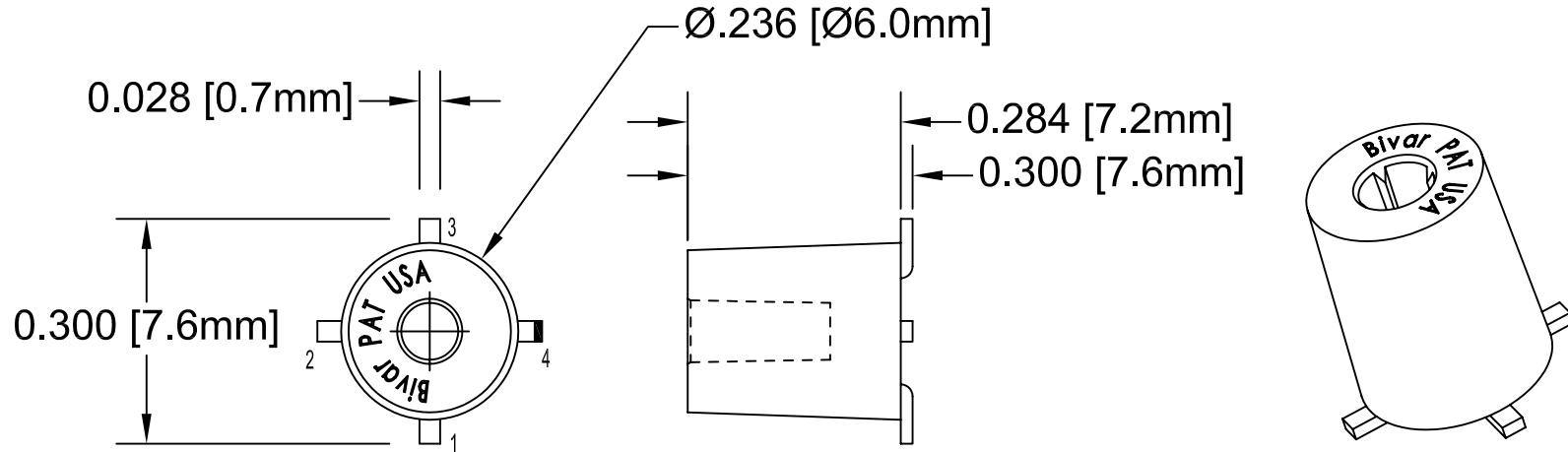


REV.	DESCRIPTION	DATE	APPROVED
H	Typo Correction Page 3, "500" to "800" pcs Per Reel	03/10/04	M. C.
J	Changed "800" pcs Per Reel to "700", Page 3	12/01/04	M. C.
K	Removed Low Current SMPTs	10/17/06	M. C.
L	Removed LeadFrame Hidden Lines	03/12/08	M. C.




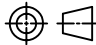
### ABSOLUTE MAXIMUM RATINGS (Ta=25° C)

REVERSE VOLTAGE	_____	5V
REVERSE CURRENT	_____	100uA
OPERATING TEMPERATURE RANGE	_____	-25° C - 85° C
STORAGE TEMPERATURE	_____	-30° C - 100° C
LEAD SOLDERING TEMPERATURE(1/16" FROM BODY)	_____	260° C FOR 5 SECONDS

STANDARD TOLERANCE ( UNLESS OTHERWISE SPECIFIED )		BIVAR®	
DECIMALS	ANGULAR	4 THOMAS, IRVINE, CA. 92618	
.X ± .1	X° ± 1°	TEL: (949) 951-8808 FAX: (949) 951-3974	
.XX ± .02		<b>TITLE:</b> SURFACE MOUNT LED, PT SERIES	
.XXX ± .010		<b>DESIGNED:</b> Michael Chen	<b>DATE:</b> 07/08/02
		<b>CHECKED:</b> D. Green	<b>DATE:</b> 06/24/03
		<b>PART NO:</b> SMPT-XX	<b>REVISION:</b> L
		<b>CAGE CODE :</b> 32559	<b>SHEET # 1 OF 3</b>
		CAD GENERATED DOCUMENT, DO NOT MEASURE DRAWING.	

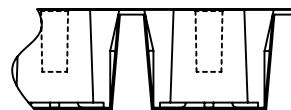
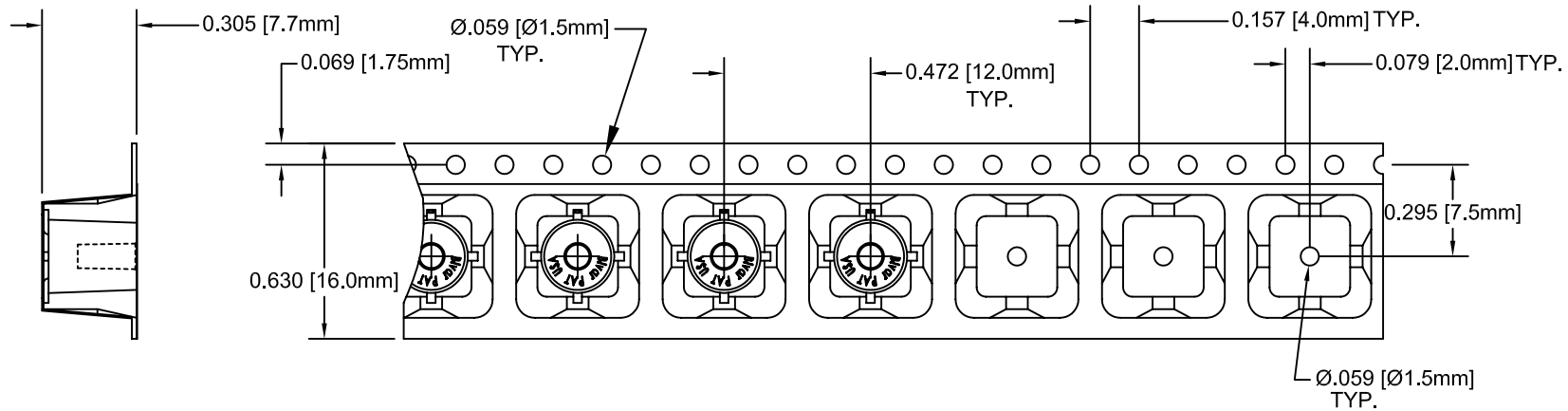
REV.	DESCRIPTION	DATE	APPROVED
	SEE SHEET#1.		

LED Part No.	Chip			Lens Appearance	Absolute Max. Ratings				Electro-Optical Data @ 20m A			Viewing Angle 2θ ½ (Deg)
	Material	Peak Wave Length λp(nm)	Emitted Color		Δλ (nm)	Pd (mW)	If (mA)	Peak If (mA)	Vf (V)		Iv (mcd)	
									TYP	MAX	TYP	
SMPT-UBWC	GaN	470	BLUE	OPTICAL	68	150	30	150	3.4	4.0	288.0	DIRECT
SMPT-UGC	InGaN	525	GREEN	OPTICAL	40	150	30	150	3.2	3.8	460.0	DIRECT
SMPT-UYC	AlGaInP	595	YELLOW	OPTICAL	32	100	30	150	2.0	2.5	456.0	DIRECT
SMPT-URC	AlGaInP	640	HE RED	OPTICAL	23	80	30	150	1.9	2.4	416.0	DIRECT
SMPT-UWC	GaN	-	WHITE	OPTICAL	68	150	30	150	3.4	4.0	250.0	DIRECT
SMPT-SBC	GaN	640	HE RED	OPTICAL	23	80	30	150	1.9	2.4	416.0	DIRECT
	GaN	525	GREEN	OPTICAL	40	150	30	150	3.2	3.8	460.0	DIRECT
SMPT-RGB	AlGaInP	640	HE RED	OPTICAL	23	80	30	150	1.9	2.4	416.0	DIRECT
	GaN	470	BLUE	OPTICAL	68	150	30	150	3.4	4.0	288.0	DIRECT
	InGaN	525	GREEN	OPTICAL	40	150	30	150	3.2	3.8	460.0	DIRECT

STANDARD TOLERANCE (UNLESS OTHERWISE SPECIFIED) ±10% ALL VALUES		 <b>BIVAR</b> ® 4 THOMAS, IRVINE, CA. 92618 TEL: (949) 951-8808 FAX: (949) 951-3974	
ANGULAR X° ± 5°			
		TITLE: SURFACE MOUNT LED, SMPT SERIES	
DESIGNED: <b>David Green</b>	DATE: <b>07/08/02</b>	PART NO: <b>SMPT-XX</b>	REVISION: <b>L</b>
CHECKED: <b>M. Chen</b>	DATE: <b>06/24/03</b>	CAGE CODE : <b>32559</b>	SHEET # <b>2 OF 3</b>
CAD GENERATED DOCUMENT, DO NOT MEASURE DRAWING.			

REV.	DESCRIPTION	DATE	APPROVED
	SEE SHEET#1.		

DIRECTION OF FEED →



NOTES:

5. EMPTY COMPONENT POCKETS ARE SEALED WITH TOP COVER TAPE.
4. MINIMUM LEADER LENGTH AT BOTH ENDS OF TAPE IS 17.7 [450.0MM].
3. THE MAXIMUM NUMBER OF EMPTY POCKETS IS TWO.
2. THE MARKED COMMON LEAD#4 IS ORIENTED TOWARDS THE TAPE SPROCKET HOLE IN ACCORDANCE WITH EIA-481 SPECIFICATIONS.
1. 700 pcs PER REEL

STANDARD TOLERANCE ( UNLESS OTHERWISE SPECIFIED )		BIVAR®	
DECIMALS	ANGULAR	4 THOMAS, IRVINE, CA. 92618	
.X ±.1	X° ± 1°	TEL: (949) 951-8808 FAX: (949) 951-3974	
.XX ±.02		TITLE: SURFACE MOUNT LED, SMPT SERIES	
.XXX ±.010		PART NO: SMPT-XX	REVISION: L
DESIGNED: <b>Michael Chen</b>	DATE: <b>07/08/02</b>	CAGE CODE : 32559	SHEET # 3 OF 3
CHECKED: <b>D. Green</b>	DATE: <b>06/24/03</b>	CAD GENERATED DOCUMENT, DO NOT MEASURE DRAWING.	