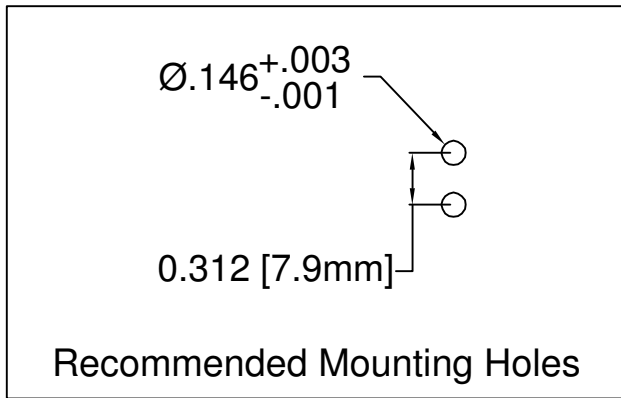
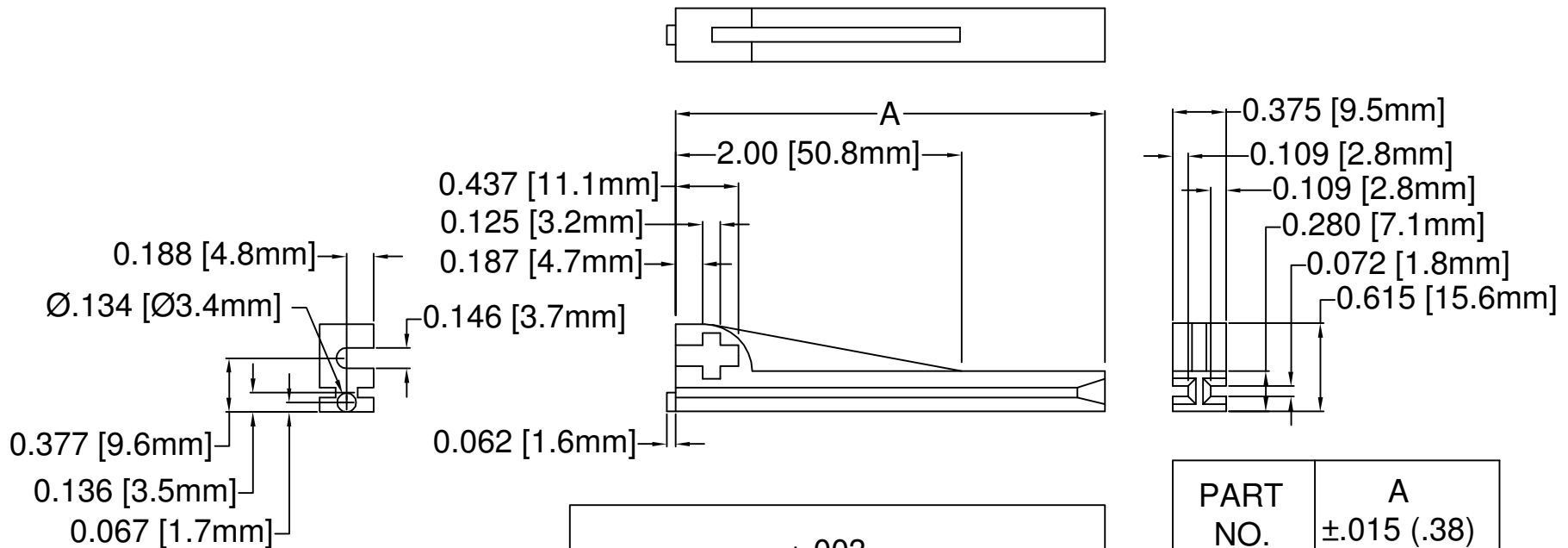


REV.	DESCRIPTION	DATE	APPROVED
A	Engineering Update w/o Changes	03/01/04	M. C.



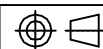
PART NO.	A
	±.015 (.38)
VG3-3	3.0 (76.2)
VG3-35	3.5 (88.9)
VG3-4	4.0 (101.6)
VG3-45	4.5 (114.3)
VG3-5	5.0 (127.0)
VG3-55	5.5 (139.7)
VG3-6	6.0 (152.4)

- MATERIAL: NYLON 6, 10% GLASS, 94V-0, BLACK. BIVAR MATERIAL CODE 12-BK. RTP 299A X 59354CFR, BLACK OR MODIFIED PLASTICS MN6-FG10SE BK.
- GENERAL SPECIFICATIONS: BIVAR MOLDED COMPONENT SPECIFICATION BV00-E101.

STANDARD TOLERANCE (UNLESS OTHERWISE SPECIFIED)	
DECIMALS	ANGULAR
.X ±.1	X° ±1°
.XX ±.01	
.XXX ±.005	

BIVAR[®]

4 THOMAS, IRVINE, CA. 92618
TEL: (949) 951-8808 FAX: (949) 951-3974



TITLE: VERT-O-GUIDE

DESIGNED: Shane Irving	DATE: 11/22/00
CHECKED: D. Green	DATE: 03/01/04

PART NO: VG3-XX	REVISION: A
CAGE CODE : 32559	SHEET # 1 OF 1
CAD GENERATED DOCUMENT, DO NOT MEASURE DRAWING.	